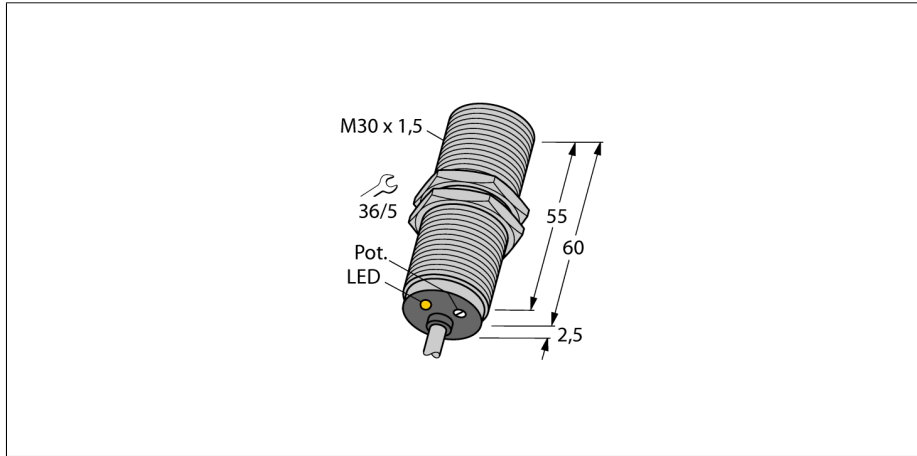


Capacitive sensor BC10-M30K-AZ3X

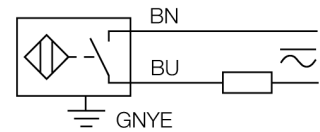
TURCK

Industrial
Automation



- Threaded barrel, M30 x 1.5
- Chrome-plated brass
- Fine adjustment via potentiometer
- AC 2-wire, 20...250 VAC
- NO contact
- Cable connection

Wiring diagram



Functional principle

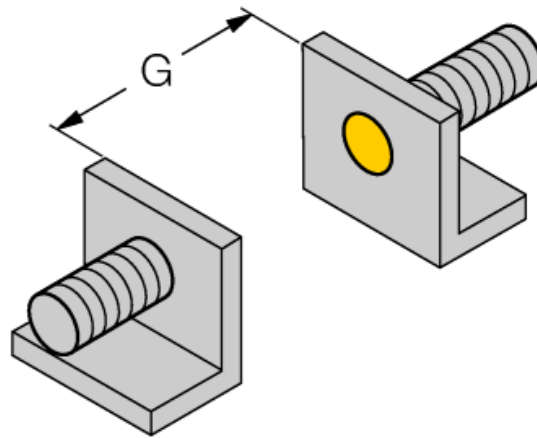
Capacitive proximity switches are designed for non-contact and wear-free detection of electrically conductive as well as non-conductive metal objects.

Type code	BC10-M30K-AZ3X
Ident no.	2503031
Rated operating distance Sn	10 mm
Rated operating distance Sn	10 mm, non-flush mounting
Assured sensing range	≤ (0.72 x Sn) mm
Hysteresis	2...20 %
Temperaturdrift	type ≤ ± 20 %
Repeatability	≤ 2 % of full scale
Ambient temperature	-25...+70 °C
Operating voltage	20...250 VAC
AC rated operational current	≤ 500 mA
Frequency	≥ 50...≤ 60 Hz
Smallest operating current I _m	≤ 5 mA
Residual current	≤ 1.7 mA
Switching frequency	0.02 kHz
Rated insulation voltage	≤ 1.5 kV
Output function	2-wire, NO contact, 2-wire
Voltage drop at I _n	≤ 7 V
Design	threaded barrel, M30 x 1.5
Dimensions	62.5 mm
Housing material	Metal, CuZn, chrome-plated
Material active face	Plastic, PA, yellow
Admissible pressure on front cap	≤ 3 bar
Max. tightening torque housing nut	25 Nm
Connection	cable
Cable quality	Ø 5.2, LifYY, PVC, 2 m
Cable cross section	3 x 0.5 mm ²
Vibration resistance	55 Hz (1 mm)
Shock resistance	30 g (11 ms)
Protection class	IP67
MTTF	1080 years acc. to SN 29500 (Ed. 99) 40 °C
Switching state	● yellow

Capacitive sensor BC10-M30K-AZ3X

Mounting instructions / Description	minimum distances
Distance D	60 mm
Distance W	30 mm
Distance S	45 mm
Distance G	60 mm

Diameter of the active area B	Ø 30 mm
-------------------------------	---------



The given minimum distances have been checked in compliance with the standard switching distance. Should the sensitivity of the sensors be changed via potentiometer, the data sheet specifications no longer apply.

