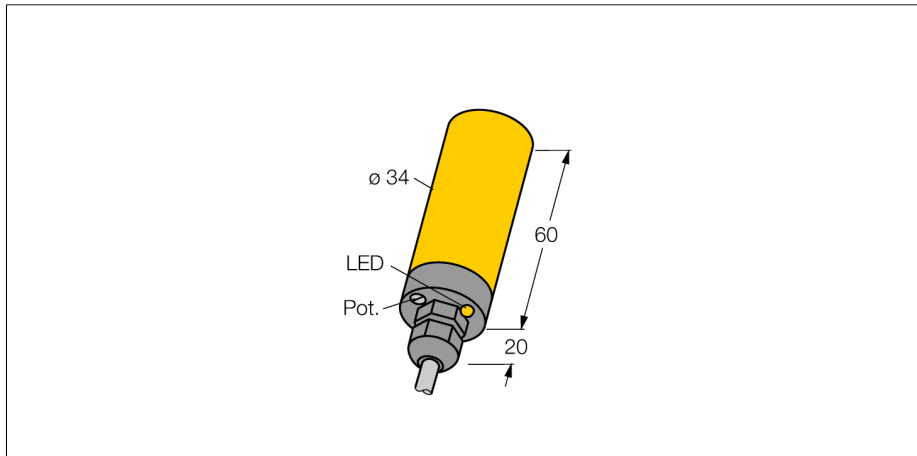


Capacitive sensor BCF15-K34-AZ3X

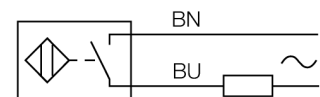
TURCK

Industrial
Automation



- Smooth barrel, Ø 34 mm
- Plastic, PBT-GF30-V0
- Fine adjustment via potentiometer
- Increased RFI protection (even with high frequency equipment)
- Suited for highly viscous media
- AC 2-wire, 20...250 VAC
- NO contact
- Cable connection

Wiring diagram



Functional principle

Capacitive proximity switches are designed for non-contact and wear-free detection of electrically conductive as well as non-conductive metal objects.

Type code	BCF15-K34-AZ3X
Ident no.	2502136
Rated operating distance S_n	15 mm
Rated operating distance S_n	15 mm, non-flush mounting
Assured sensing range	$\leq (0.72 \times S_n)$ mm
Hysteresis	2...20 %
Temperaturdrift	type $\leq \pm 20$ %
Repeatability	≤ 2 % of full scale
Ambient temperature	-25...+70 °C
Operating voltage	20...250 VAC
AC rated operational current	≤ 500 mA
Frequency	≥ 50 ... ≤ 60 Hz
Smallest operating current I_m	≤ 5 mA
Residual current	≤ 1.7 mA
Switching frequency	0.02 kHz
Rated insulation voltage	≤ 1.5 kV
Output function	2-wire, NO contact, 2-wire
Voltage drop at I_m	≤ 7 V
Design	smooth barrel, 34 mm
Dimensions	80 mm
Housing material	Plastic, PBT
Material active face	Plastic, PBT, yellow
Connection	cable
Cable quality	Ø 5.2, LifYY, PVC, 2 m
Cable cross section	2 x 0.34 mm ²
Vibration resistance	55 Hz (1 mm)
Shock resistance	30 g (11 ms)
Protection class	IP67
MTTF	1080 years acc. to SN 29500 (Ed. 99) 40 °C
Switching state	• yellow
Included in scope of supply	BS34.1, 2 M5 screws, cable gland, blanking plugs

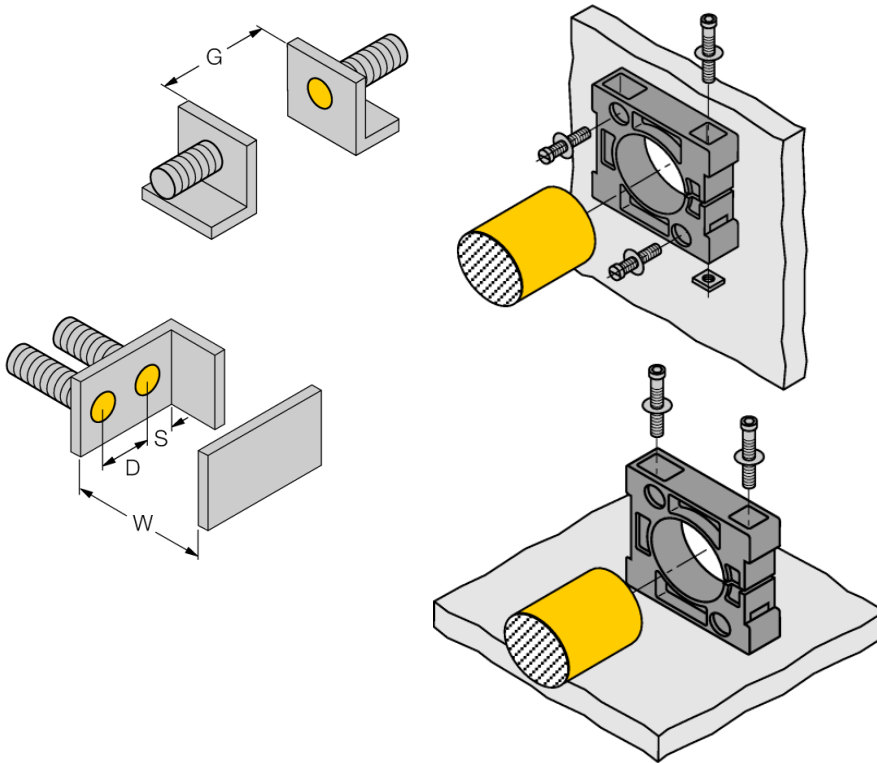
Capacitive sensor BCF15-K34-AZ3X

TURCK

Industrial
Automation

Mounting instructions / Description	minimum distances
Distance D	68 mm
Distance W	45 mm
Distance S	51 mm
Distance G	90 mm

Diameter of the active area B \varnothing 34 mm



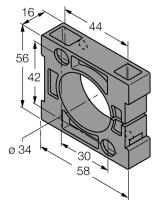
The given minimum distances have been checked in compliance with the standard switching distance. Should the sensitivity of the sensors be changed via potentiometer, the data sheet specifications no longer apply.

Capacitive sensor BCF15-K34-AZ3X

TURCK

Industrial
Automation

Accessories

Type code	Ident no.	Description	Dimension drawing
BS34.1	6946010	Fixing clamp: Mounting block material (PBT-GF20-V0); dimensions (58 mm x 56 mm x 16 mm), included in delivery (2 M5 screws for base mounting)	
BS34.1-WMS	6946009	Screw set for wall mounting	