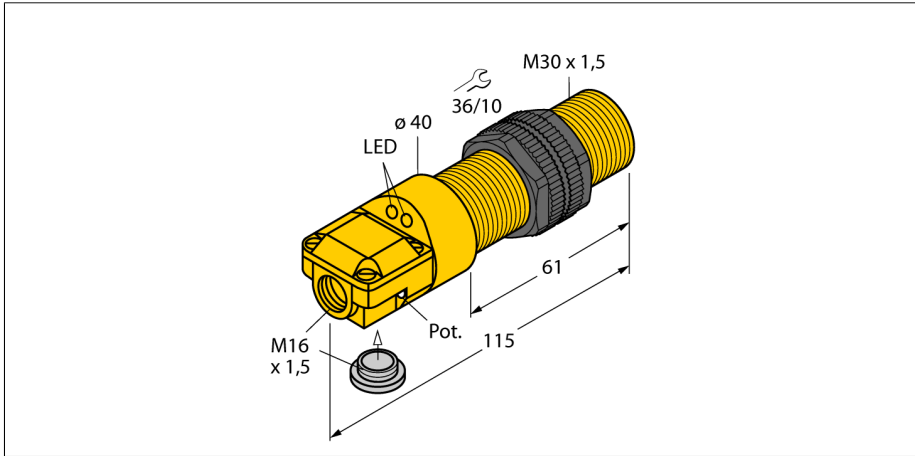


Capacitive sensor BC10-P30SR-FZ3X2

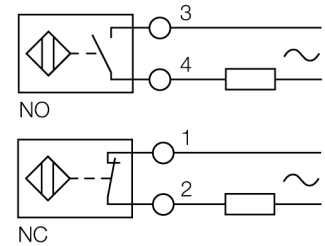
TURCK

Industrial
Automation



- 2 cable entries (axial, radial)
- Threaded barrel, M30 x 1.5
- Plastic, ABS
- Fine adjustment via potentiometer
- AC 2-wire, 20...250 VAC
- Programmable connection (NC/NO)
- Terminal chamber

Wiring diagram



Functional principle

Capacitive proximity switches are designed for non-contact and wear-free detection of electrically conductive as well as non-conductive metal objects.

Type code	BC10-P30SR-FZ3X2
Ident no.	23104
Rated operating distance Sn	10 mm
Rated operating distance Sn	15 mm, non-flush mounting
Assured sensing range	≤ (0.72 x Sn) mm
Hysteresis	2...20 %
Temperaturdrift	type ≤ ± 20 %
Repeatability	≤ 2 % of full scale
Ambient temperature	-25...+70 °C
Operating voltage	20...250 VAC
AC rated operational current	≤ 500 mA
Frequency	≥ 50...≤ 60 Hz
Smallest operating current I _m	≤ 5 mA
Residual current	≤ 1.7 mA
Switching frequency	0.02 kHz
Rated insulation voltage	≤ 1.5 kV
Output function	2-wire, connection programmable, 2-wire
Voltage drop at I _n	≤ 7 V
Design	threaded barrel, M30 x 1.5
Dimensions	115 mm
Housing material	Plastic, ABS
Material active face	Plastic, ABS, yellow
Max. tightening torque housing nut	5 Nm
Connection	Terminal chamber
Clamping ability	≤ 2.5 mm ²
Vibration resistance	55 Hz (1 mm)
Shock resistance	30 g (11 ms)
Protection class	IP67
MTTF	1080 years acc. to SN 29500 (Ed. 99) 40 °C
Operating voltage	LED green
Switching state	● yellow
Included in scope of supply	cable gland, blank plug

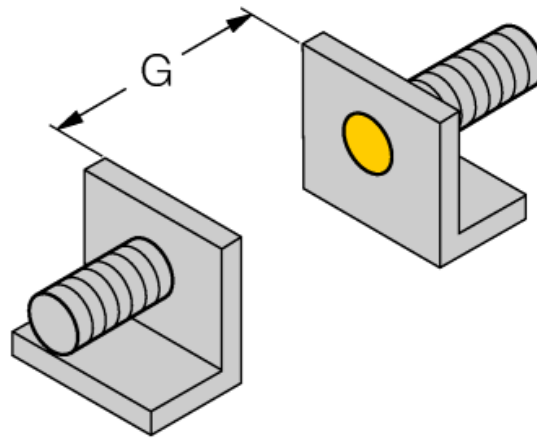
Capacitive sensor BC10-P30SR-FZ3X2

TURCK

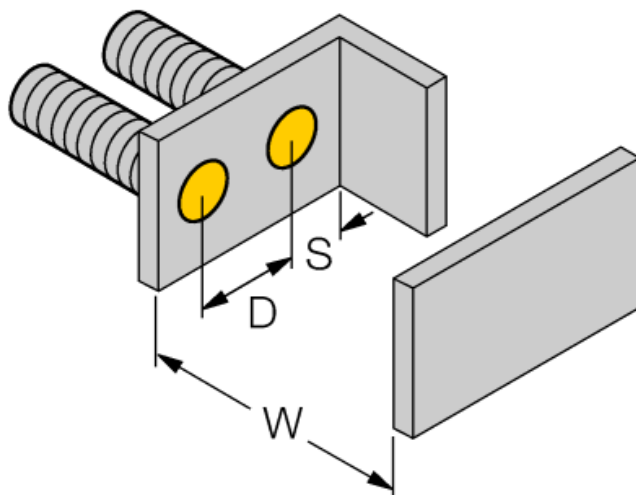
Industrial
Automation

Mounting instructions / Description	minimum distances
Distance D	60 mm
Distance W	30 mm
Distance S	45 mm
Distance G	60 mm

Diameter of the active area B \varnothing 30 mm



The given minimum distances have been checked in compliance with the standard switching distance. Should the sensitivity of the sensors be changed via potentiometer, the data sheet specifications no longer apply.



**Capacitive sensor
BC10-P30SR-FZ3X2**

TURCK

Industrial
Automation

Accessories

Type code	Ident no.	Description	Dimension drawing
BST-30B	6947216	Fixing clamp for threaded barrel devices, with dead-stop; material: PA6	
MAP-M30	6950013	Mounting adapter; material: Polypropylene; sensor replacement with filled container possible (adapter remains in container during sensor replacement)	