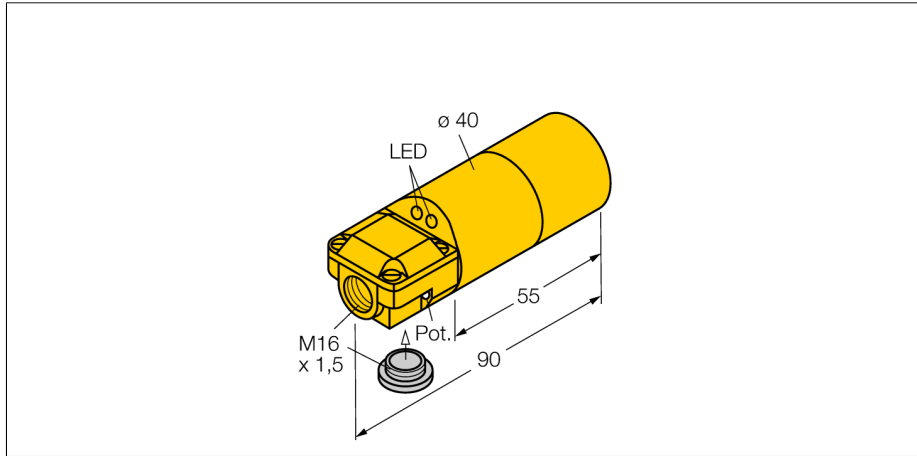


Capacitive sensor BC20-K40SR-FZ3X2

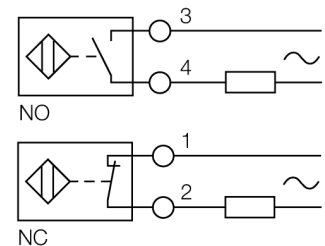
TURCK

Industrial
Automation



- 2 cable entries (axial, radial)
- Smooth barrel, Ø 40 mm
- Plastic, ABS
- Fine adjustment via potentiometer
- AC 2-wire, 20...250 VAC
- Programmable connection (NC/NO)
- Terminal chamber

Wiring diagram



Functional principle

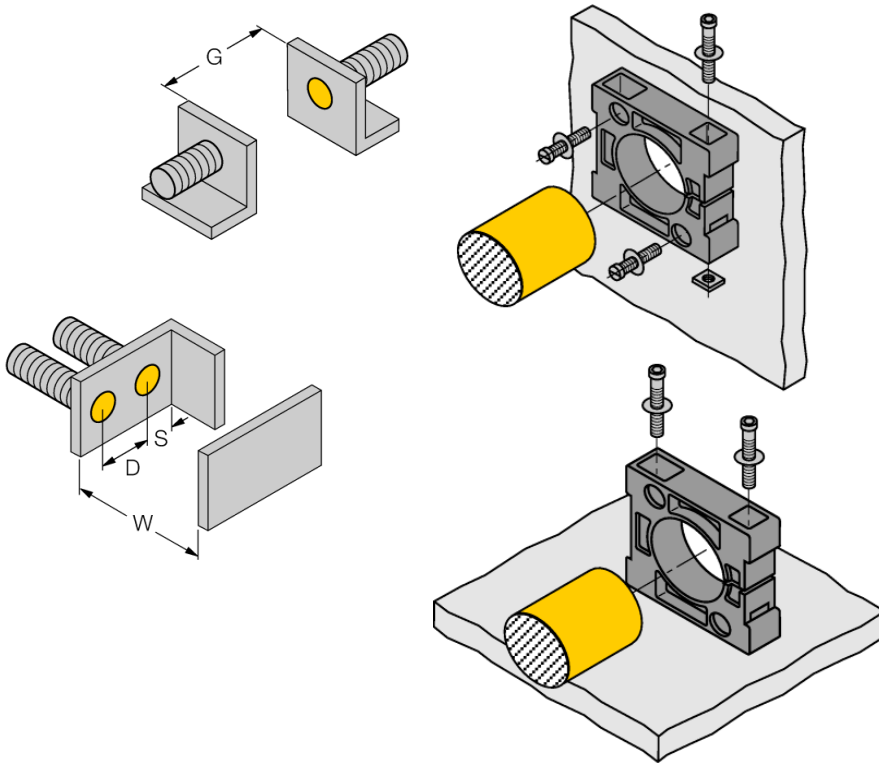
Capacitive proximity switches are designed for non-contact and wear-free detection of electrically conductive as well as non-conductive metal objects.

Type code	BC20-K40SR-FZ3X2
Ident no.	23103
Rated operating distance Sn	20 mm
Rated operating distance Sn	30 mm, non-flush mounting
Assured sensing range	≤ (0.72 x Sn) mm
Hysteresis	2...20 %
Temperaturdrift	type ≤ ± 20 %
Repeatability	≤ 2 % of full scale
Ambient temperature	-25...+70 °C
Operating voltage	20...250 VAC
AC rated operational current	≤ 500 mA
Frequency	≥ 50...≤ 60 Hz
Smallest operating current I _m	≤ 5 mA
Residual current	≤ 1.7 mA
Switching frequency	0.02 kHz
Rated insulation voltage	≤ 1.5 kV
Output function	2-wire, connection programmable, 2-wire
Voltage drop at I _e	≤ 7 V
Design	smooth barrel, 40 mm
Dimensions	90 mm
Housing material	Plastic, ABS
Material active face	Plastic, ABS
Connection	Terminal chamber
Clamping ability	≤ 2.5 mm ²
Vibration resistance	55 Hz (1 mm)
Shock resistance	30 g (11 ms)
Protection class	IP67
MTTF	1080 years acc. to SN 29500 (Ed. 99) 40 °C
Operating voltage	LED green
Switching state	• yellow
Included in scope of supply	BS40, cable gland, blanking plug

**Capacitive sensor
BC20-K40SR-FZ3X2**

Mounting instructions / Description	minimum distances
Distance D	40 mm
Distance W	60 mm
Distance S	60 mm
Distance G	120 mm

Diameter of the active area B	Ø 40 mm
--------------------------------------	---------



The given minimum distances have been checked in compliance with the standard switching distance. Should the sensitivity of the sensors be changed via potentiometer, the data sheet specifications no longer apply.

**Capacitive sensor
BC20-K40SR-FZ3X2**

TURCK

Industrial
Automation

Accessories

Type code	Ident no.	Description	Dimension drawing
MAP-K40	6950014	Mounting adapter; material: Polypropylene; sensor replacement with filled container possible (adapter remains in container during sensor replacement)	
BS 40	69466	Fixing clamp; material mounting block: PBT	