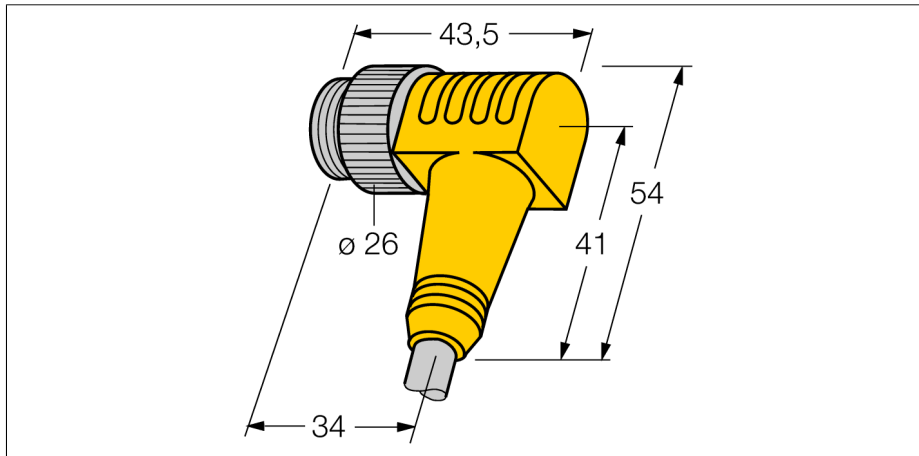
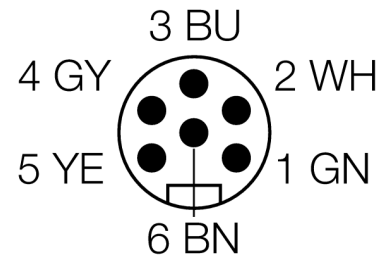


**7/8" round connector
male 7/8" connector
WSM61-5M**



- robust and pre-assembled round connector
- plastic moulding
- Degree of protection IP67
- also available with different cable lengths and of different materials

Wiring diagram



Type code	WSM61-5M
Ident no.	6915257
Connector A side	male connector, 7/8", angled
Number of pins	6
Contacts	metal, CuZn, gold-plated
Contact carriers	plastic, PUR, yellow
Grip	sealing via contact carriers plastic, TPU, yellow stainless steel coupling nut/screw available on request
Protection class	IP67, (screwed together)
	sealing via contact carriers stainless steel coupling nut/screw available on request
Cable diameter	7.3 mm
Cable length	5m
Cable sheath	PVC, yellow
Core insulation	PVC
Core colors	GN, WH, BU, GY, YE, BN
Core cross-section	6x0.83mm ²
Litz wire arrangement	19x0.25 mm
Rated voltage [U_{max}]	300 V
Ampacity	9 A