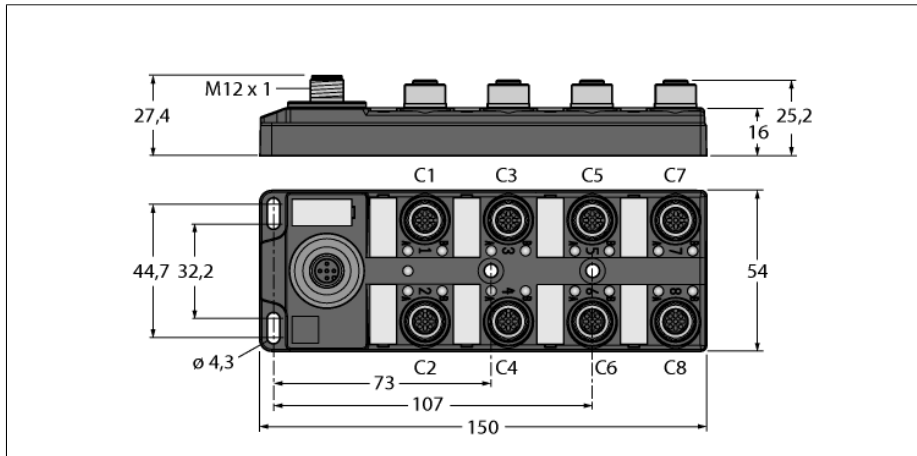


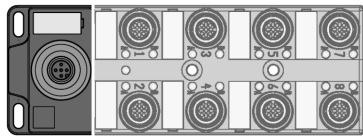
Compact I/O module for IO-Link
8 digital outputs
TBIL-M1-8DOP

- Rugged, fully encapsulated actuator distribution box in IP67
- IO-Link diagnostics for short-circuit and supply voltage
- 1 output per port
- Metal connector



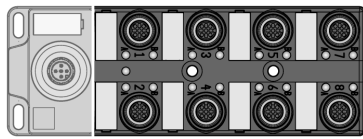
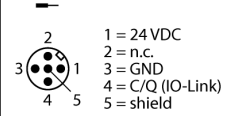
Type code	TBIL-M1-8DOP
Ident no.	6814101
Operating / load voltage	18 ... 30 VDC
Power loss, typical	≤ 1.5 W
Outputs	
Output voltage	24 VDC
Output current per channel	0.5 A, short-circuit proof
Output delay	2 ms
Load type	resistive, inductive, lamp load
Simultaneity factor	0.75
Electrical isolation	Outputs to FE 500VDC
IO-Link	
Communication	specified acc. to version 1.1
Parameterization	FDT/DTM
Transmission physics	Corresponds to 3-wire physics (PHY2)
Transmission rate	COM 2 / 38.4 kbps
Frame type	2.3
Dimensions (W x L x H)	54x150x27.4mm
Housing material	PA6-GF30
Mounting	4 mounting holes Ø 4.3 mm
Operating temperature	-40 ... 70 °C
Storage temperature	-40 ... 85 °C
Vibration test	acc. to EN 60068-2-6
Shock test	acc. to EN 60068-2-27
Electro-magnetic compatibility	acc. to EN 61000-6-2 / -6-4
Protection class	IP67
Approvals	CE

**Compact I/O module for IO-Link
8 digital outputs
TBIL-M1-8DOP**



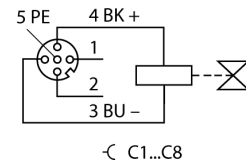
Note
 Suitable IO-Link master modules:
 SDPX-IOL4-0001 Ident no. 6825480
 In combination with TURCK IO-Link master SDPX-IOL4-0001 the sum of all TBIL-M1-8DOP output currents must not exceed 0.5 A.
 Suitable IO-Link cables:
 2 m: RKC4T-2-RSC4T/TXL Ident no. 6625604
 5 m: RKC4T-5-RSC4T/TXL Ident no. 6625730
 Other lengths and types available on request or see catalog

Fieldbus M12 x 1



Note
 Suitable actuator supply cables:
 2 m: RSC4.4T-2/TXL Ident no. 6625527
 5 m: RSC4.4T-5/TXL Ident no. 6625528
 Other lengths and types available on request or see catalog
 Additional material:
 Closure cap VZ3 M12 Ident no. 8000004
 Labels KS9/20 Ident no. 8015002

Output M12 x 1



Compact I/O module for IO-Link
8 digital outputs
TBIL-M1-8DOP

TURCK

Industrial
Automation

Module LED status

LED	Color	Status	Description
IO-Link	green	off	No power supply
		flashing	IO-Link communication OK, ready for operation
	red	on	Undervoltage, IO-Link or module error
		flashing	IO-Link communication OK, module error

Outputs LED status

LED	Color	Status	Description
C1.0 ... C8.0	green	off	Output inactive, logic 0
		on	Output active, logic 1

Compact I/O module for IO-Link
8 digital outputs
TBIL-M1-8DOP

Process data

Byte	Bit	Signal	Pin
PD ₀	Bit 0 (LSB)	Digital Output 1	C1 P4 (signal A)
	Bit 1	Digital Output 2	C2 P4 (signal A)
	Bit 2	Digital Output 3	C3 P4 (signal A)
	Bit 3	Digital Output 4	C4 P4 (signal A)
	Bit 4	Digital Output 5	C5 P4 (signal A)
	Bit 5	Digital Output 6	C6 P4 (signal A)
	Bit 6	Digital Output 7	C7 P4 (signal A)
	Bit 7 (MSB)	Digital Output 8	C8 P4 (signal A)

C... = port no., P... = pin no.

Diagnostics / Events

Class/Qualifier			Code	Description
Mode	Type	Instance		
0xC0	0x30	0x04	0xF4 appears	Supply voltage too high
0x80	0x30	0x04	0xB4 disappears	
0xC0	0x30	0x04	0xF4 appears	Supply voltage too low
0x80	0x30	0x04	0xB4 disappears	
0xC0	0x30	0x04	0xF4 appears	Short-circuit in sensor supply or at output
0x80	0x30	0x04	0xB4 disappears	
0xC0	0x30	0x04	0xF4 appears	Hardware error
0x80	0x30	0x04	0xB4 disappears	

Device Parameter

ISDU		Parameter Name	Access R: Read W: Write	Data Length	Data Type	Default Values
Index	Sub-index					
0x10	0x00	Vendor Name	R	16 Bytes	String	TURCK
0x11	0x00	Vendor Text	R	32 Bytes	String	www.turck.com
0x12	0x00	Product Name	R	32 Bytes	String	TBIL-M1-16DOP
0x13	0x00	Product ID	R	16 Bytes	String	6814101
0x14	0x00	Product Text	R	32 Bytes	String	IO-Link Passive Box
0x15	0x00	Serial Number	R	16 Bytes	String	
0x17	0x00	Software Revision	R	16 Bytes	String	1.0.0.0
0x18	0x00	Application Specific Tag	R/W	32 Bytes	String	***
0x28	0x00	Process Data Input	R	PD Length	Device Specific	
0x29	0x00	Process Data Output	R	PD Length	Device Specific	
0x40	0x00	Parameter ID	R/W	4 Bytes	Unsigned 32	0x00