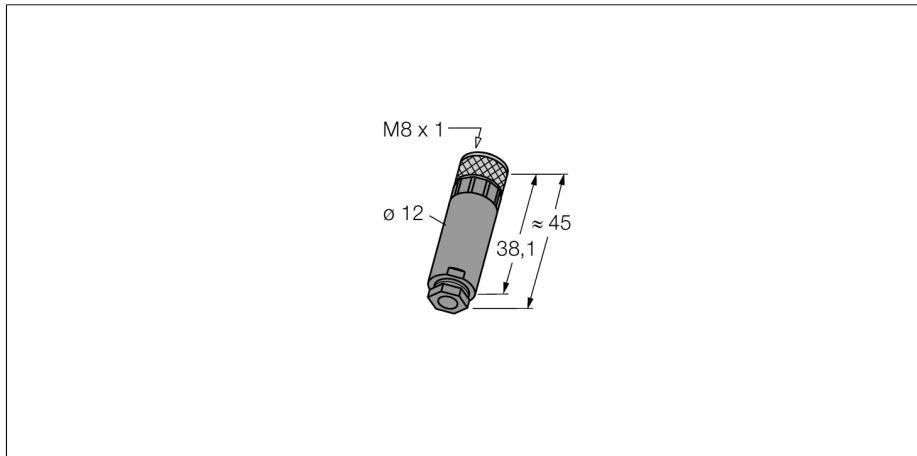
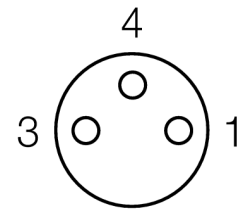


M8 x 1 / Ø 8 mm round connector
Female, straight, customizable
B5133-0

- Metal coupling nut
- Protection class IP67
- Screw-clamp terminal
- 3-pin
- M11 x 0.75 screw-in thread, metric
- Cable bushing 3.5 ... 5.0 mm

Terminal assignment



Type code	B5133-0
Ident no.	6901030
<hr/>	
Connector A side	field-wireable female connector, M8x1, straight
Number of pins	3
Contacts	metal, CuZn, gold-plated
Contact carriers	plastic, PA 66 (UL 94 HB), black
Grip	plastic, PBT, black
Coupling nut/screw	metal
Seal	plastic, Neoprene
Screw-in thread seal	plastic, FKM
Protection class	IP67, (screwed together)
External diameter of the cable	3.5... 5mm
Core cross-section/Clamping ability	0.14...0.5mm ²
Screw-in thread	M11x0.75
Connection mode	screw/clamp connection
Mechanical lifespan	> 100 mating cycles
Pollution degree	3
<hr/>	
Rated voltage [U_{max}]	60 V
Insulation resistance	≥ 10 ⁸ Ω
Ampacity	4 A
Forward resistance	≤ 3 mΩ
Ambient temperature Connector	-25... +85°C