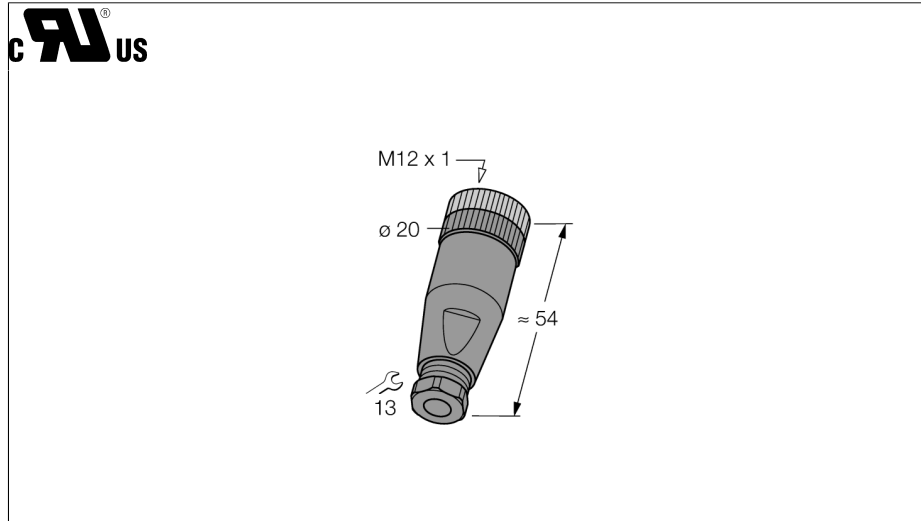
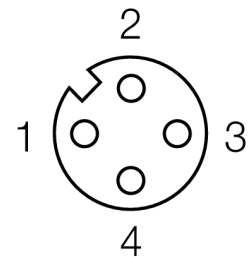


**Round connector M12 x 1**  
**Female, straight, customizable**  
**B8141-0/PG9**



- Plastic coupling nut
- UL approval
- Screw-clamp terminal
- A-coding
- 4-pin
- PG9 screw-in thread
- Cable bushing 6.0 ... 8.0 mm

**Terminal assignment**



<b>Type code</b>	B8141-0/PG9
Ident no.	6904901
<b>Connector A side</b>	field-wireable female connector, M12 x 1, straight
Number of pins	4
Contacts	metal, CuZn, Optalloy coated
Contact carriers	plastic, PA, black
Grip	plastic, PA, black
Seal	plastic, FKM/FPM
Screw-in thread seal	plastic, FKM
Protection class	IP67, (screwed together)
External diameter of the cable	6... 8mm
Core cross-section/Clamping ability	max. 0.75 mm <sup>2</sup>
Screw-in thread	PG 9
Connection mode	screw/clamp connection
Mechanical lifespan	> 50 mating cycles
Pollution degree	3
<b>Rated voltage [Umax]</b>	250 V
Insulation resistance	≥ 10 <sup>9</sup> Ω
Ampacity	4 A
Forward resistance	≤ 8 mΩ
Ambient temperature Connector	-25... +85°C