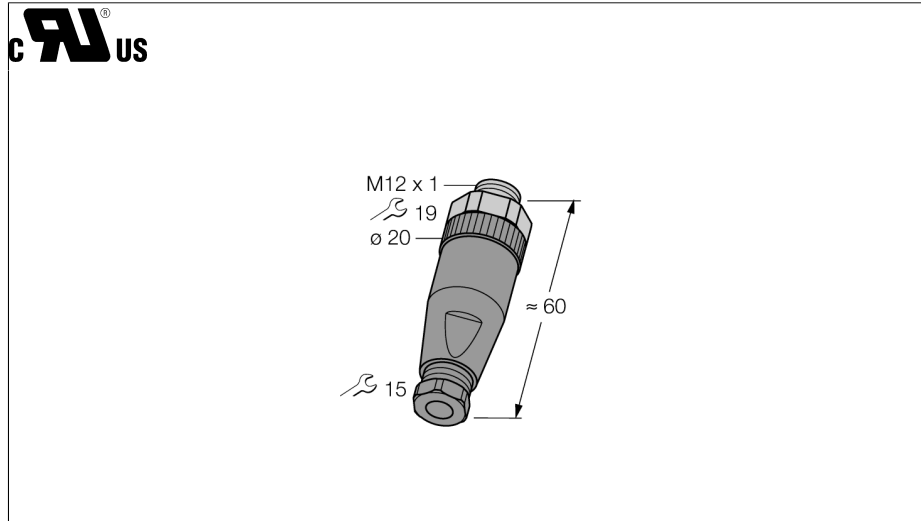
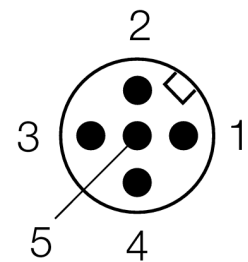


**Round connector M12 x 1
male, straight, customizable
BS8151-0**



- A-coding
- Metal coupling nut
- UL approval
- Screw-clamp terminal
- 5-pin
- PG7 screw-in thread
- Cable bushing 4.0 ... 6.0 mm

Terminal assignment



Type code	BS8151-0
Ident no.	6904611
Connector A side	field-wireable male connector, M12 x 1, straight
Number of pins	5
Contacts	metal, CuZn, Optalloy coated
Contact carriers	plastic, PA, black
Grip	plastic, PA, black
Coupling nut/screw	metal
Seal	plastic
Screw-in thread seal	plastic, FKM
Protection class	IP67, (screwed together)
External diameter of the cable	4... 6mm
Core cross-section/Clamping ability	max. 0.75 mm ²
Screw-in thread	PG 7
Connection mode	screw/clamp connection
Mechanical lifespan	> 100 mating cycles
Pollution degree	3
Rated voltage [Umax]	125 V
Insulation resistance	≥ 10 ⁸ Ω
Ampacity	4 A
Forward resistance	≤ 8 mΩ
Ambient temperature Connector	-25... +85°C