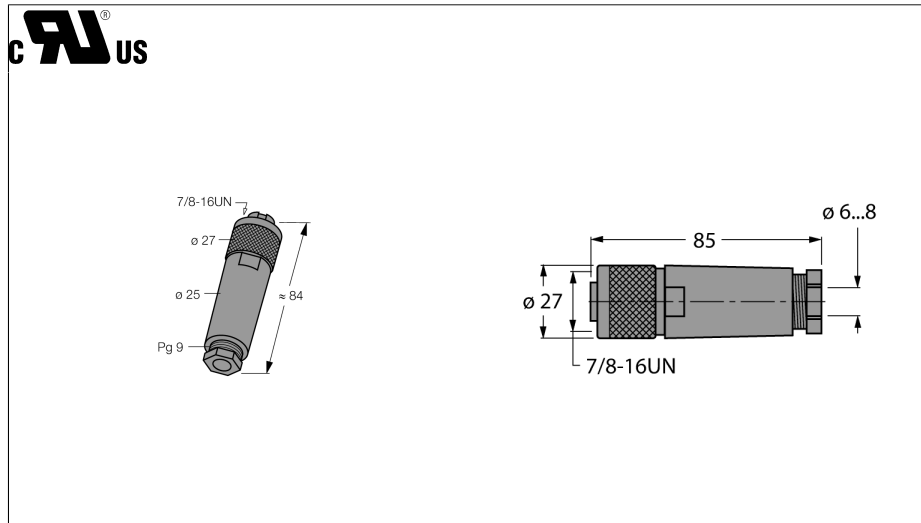
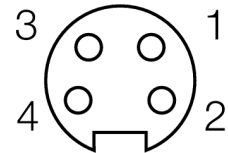


**Round connector 7/8"**  
**Female, straight, customizable**  
**B4141-0/9**



- Metal coupling nut
- Oil-resistant
- UL approval
- Screw-clamp terminal
- 4-pin
- PG9 screw-in thread
- Cable bushing 6.0 ... 8.0 mm

**Terminal assignment**



<b>Type code</b>	B4141-0/9
Ident no.	6914504
<b>Connector A side</b>	field-wireable female connector, 7/8", straight
Number of pins	4
Contacts	metal, CuZn, nickel-plated with gold-coating
Contact carriers	plastic, TPU, black
Grip	plastic, PA, black
Seal	plastic, FPM/FKM
Screw-in thread seal	plastic, NBR
Protection class	IP67, (screwed together)
External diameter of the cable	6... 8mm
Screw-in thread	PG 9
Connection mode	screw/clamp connection
Pollution degree	3
<b>Rated voltage [Umax]</b>	250 V
Insulation resistance	≥ 10 <sup>8</sup> Ω
Ampacity	9 A
Forward resistance	≤ 5 mΩ
Ambient temperature Connector	-40... +90°C