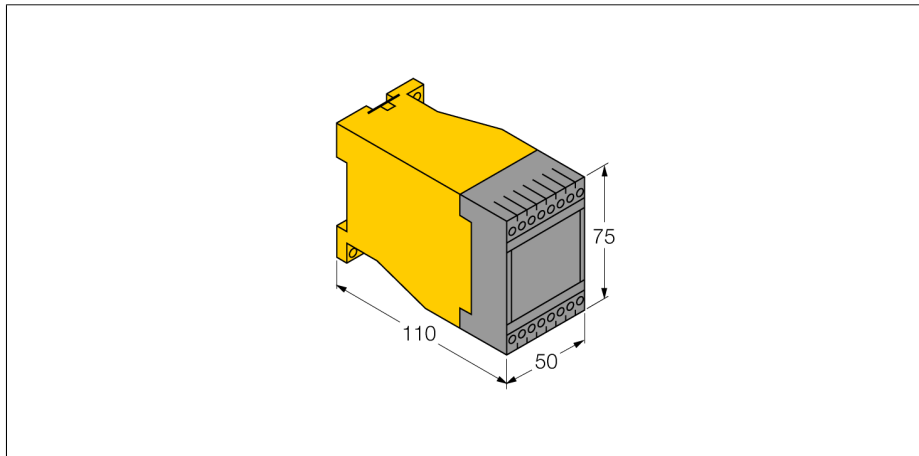
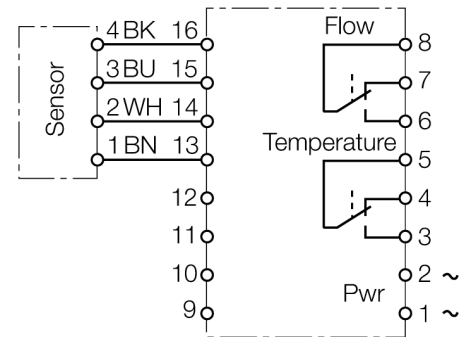


**Signal processor
MS96 for flow sensors
MS96-12R/115VAC**



- For connection of a standard flow sensor
- Adjustment via potentiometer
- 6 LEDs for display of the flow state
- Temperature monitoring adjustable -20...+100 °C
- Switch-off delay adjustable 0...25 s
- Wire-break monitoring
- 92...127 VAC
- 2 changeover contacts, relay outputs for flow and temperature

Wiring diagram



Functional principle

Signal processors not only supply insertion and inline sensors with voltage, they also process and display the measured signals. Devices with MK96..., MS96... and MC96... housing styles are available. The individual housing styles are designed for different operating voltages and feature various output and supplementary functions. For intrinsically safe flow sensors it is required to use signal processors with intrinsically safe control circuits of the series MS96...Ex... and MC96...Ex...

Type code	MS96-12R/115VAC
Ident no.	5231002
Ambient temperature	-20 ... 60 °C
Operating voltage	92...127 VAC
No-load current I ₀	≤ 90 mA
Output function	Relay output, changover contact
Protection class	IP20
Protection class (terminals/housing)	IP20 / IP40
Design	terminal chamber
Dimensions	110x 50x 75 mm
Housing material	Polycarbonate/ABS
Connection	Terminal chamber
Indication: Drop below setpoint	LED red
Indication: Setpoint reached	LED yellow
Indication: Setpoint exceeded	4 x LEDs green