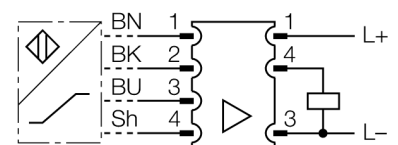


**Signal processor
for inductive sensors up to 250°C
EM30-AP6X2-H1141/S1102**

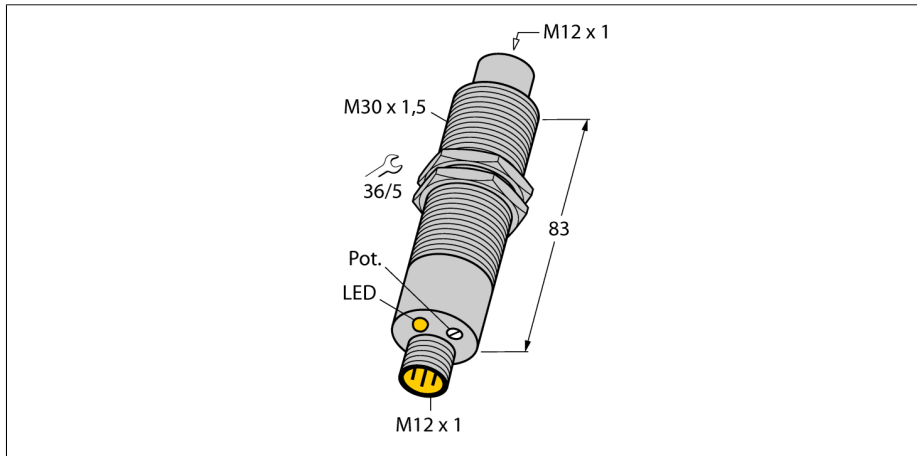
- Threaded barrel, M30 x 1.5
- Stainless steel, 1.4571
- For temperatures up to +70°C
- To be used only with Ni25-CQ40...and Ni40-CQ80...
- DC 3-wire, 10...30 VDC
- NO contact, PNP output
- M12 x 1 connector

Wiring diagram



Functional principle

The sensors must be operated with a processor unit. When setting the switching distance at room temperature, the temperature sensitivity of the sensor must be taken into account. Special versions are available for ambient temperatures between -40°C and +250°C.



Type code	EM30-AP6X2-H1141/S1102
Ident no.	1602411
switch point adjustable via potentiometer	
Repeatability	≤ 2 % of full scale
Temperaturdrift	20 %
Hysteresis	3...15 %
Ambient temperature	-20...+70 °C
Operating voltage	10...30VDC
DC rated operational current	≤ 200 mA
No-load current I ₀	≤ 15 mA
Residual current	≤ 0.1 mA
Rated insulation voltage	≤ 0.5 kV
Short-circuit protection	yes/ cyclic
Voltage drop at I ₀	≤ 1.8 V
Wire breakage / Reverse polarity protection	yes/ complete
Output function	3-wire, NO contact, PNP
Switching frequency	0.04 kHz
Design	threaded barrel, M30 x 1.5
Dimensions	83 mm
Housing material	Metal, V4A (1.4571)
End cap	Metal, A4 1.4571 (AISI 316Ti)
Max. tightening torque housing nut	40 Nm
Connection	male, M12 x 1
Vibration resistance	55 Hz (1 mm)
Shock resistance	30 g (11 ms)
Protection class	IP67
Operating voltage	LED green
Switching state	● yellow