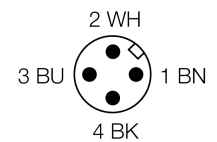
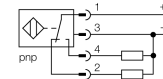


- Rectangular, height 60 mm
- Plastic, PBT-GF30-V0
- Factor 1 for all metals
- Extended switching distance
- Protection class IP68
- Magnetic field immune
- Extended temperature range
- Predamping protection through self-compensation
- One-sided fitting possible
- DC 4-wire, 10...65 VDC
- Changeover contact, PNP output
- M12 x 1 connector

Type code	NI100U-K90SR-VP4X2-H1141
Ident no.	1625844
Rated operating distance Sn	100 mm
Mounting condition	non-flush, partially embeddable
Assured sensing range	$\leq (0,81 \times S_n)$ mm
Repeatability	$\leq 2\%$ of full scale
Temperaturdrift	10 %
Hysteresis	$\leq \pm 15\%$, $\leq -25\text{ °C}$ v $\geq +70\text{ °C}$
Ambient temperature	-30...+85 °C
Operating voltage	10...65VDC
Residual ripple	$\leq 10\%$ U _s
DC rated operational current	≤ 200 mA
No-load current I ₀	≤ 15 mA
Residual current	≤ 0.1 mA
Rated insulation voltage	≤ 0.5 kV
Short-circuit protection	yes
Voltage drop at I _s	≤ 1.8 V
Wire breakage / Reverse polarity protection	yes/ complete
Output function	4-wire, changover contact, PNP
Protection class	□
Switching frequency	0.25 kHz
Design	rectangular, K90SR
Dimensions	130x 75x 60 mm
Housing material	Plastic, PBT
Connection	male, M12 x 1
Vibration resistance	55 Hz (1 mm)
Shock resistance	30 g (11 ms)
Protection class	IP68
MTTF	874 years acc. to SN 29500 (Ed. 99) 40 °C
Operating voltage	LED green
Switching state	• yellow

Wiring diagram

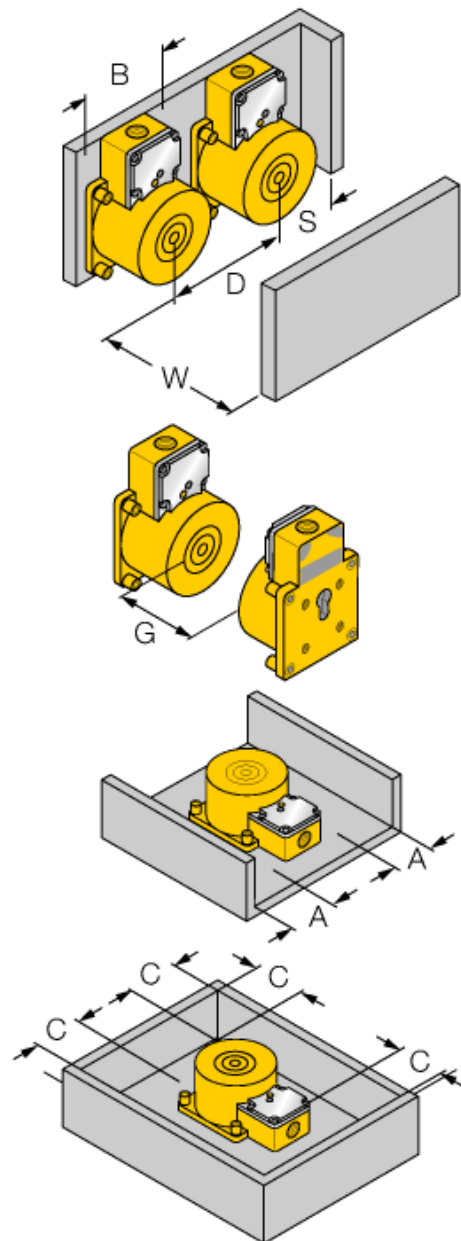


Functional principle

Inductive sensors detect metal objects contactless and wear-free. Due to the patented multi-coil system, Uprox®+ sensors have distinct advantages compared to conventional sensors. They excel in highest switching distances, maximum flexibility and operational reliability as well as efficient standardization.

Distance D	270 mm
Distance W	300 mm
Distance S	1 x B
Distance G	600 mm
Distance A	100 mm
Distance C	200 mm

Width of the active face B 90 mm



1-side flush mounting

1-side mounting:

Sr = 70 mm