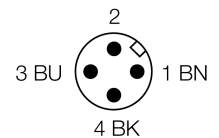
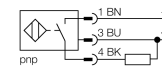


- Rectangular, height 40 mm
- Variable orientation of active face in 5 directions
- Sensor housing GD-ALSI 12
- Plastic, PA6-GF30
- Factor 1 for all metals
- Magnetic field immune
- High switching frequency
- DC 3-wire, 10...30 VDC
- NO contact, PNP output
- M12 x 1 connector

**Wiring diagram**



**Functional principle**

Inductive sensors detect metal objects contactless and wear-free. Due to the patented ferrite-less 3-coil system, *uprox®* factor 1 sensors have distinct advantages compared to conventional sensors. They detect all metals at the same switching distance, are magnetic field immune and feature large switching distances.

<b>Type code</b>	BI20U-CA40-AP6X2-H1141
<b>Ident no.</b>	1627200
<b>Rated operating distance Sn</b>	20 mm
Mounting condition	flush
Assured sensing range	≤ (0,81 x Sn) mm
Repeatability	≤ 2 % of full scale
Temperaturdrift	10 %
Hysteresis	3...15 %
Ambient temperature	0...+70 °C
<b>Operating voltage</b>	10...30VDC
Residual ripple	≤ 10 % U <sub>is</sub>
DC rated operational current	≤ 200 mA
No-load current I <sub>0</sub>	≤ 15 mA
Residual current	≤ 0.1 mA
Rated insulation voltage	≤ 0.5 kV
Short-circuit protection	yes/ cyclic
Voltage drop at I <sub>0</sub>	≤ 1.8 V
Wire breakage / Reverse polarity protection	yes/ complete
Output function	3-wire, NO contact, PNP
Protection class	□
Switching frequency	0.25 kHz
<b>Design</b>	rectangular, CA40
Dimensions	48x 40x 40 mm variable orientation of active face in 5 directions
Housing material	Metal, GD-ALSi 12
Connection	male, M12 x 1
Vibration resistance	55 Hz (1 mm)
Shock resistance	30 g (11 ms)
Protection class	IP67
MTTF	874 years acc. to SN 29500 (Ed. 99) 40 °C
<b>Operating voltage</b>	LED green
Switching state	• yellow
Included in scope of supply	BS1-CK40

**Inductive sensor  
BI20U-CA40-AP6X2-H1141**

Industrial  
Automation

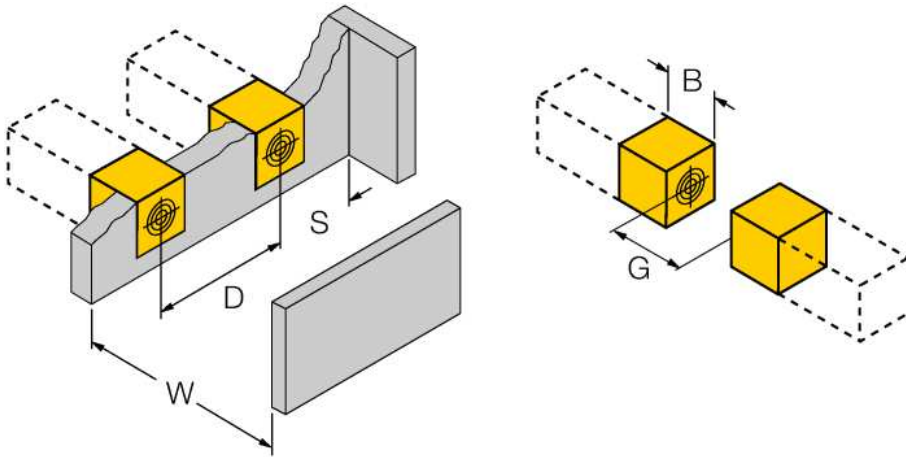
---

Distance D	2 x B
Distance W	3 x Sn
Distance S	1 x B
Distance G	6 x Sn

---

Width of the active face B	40 mm
----------------------------	-------

---



**Accessories**

Type code	Ident no.	Description	Dimension drawing
BSS-CP40	6901318	Mounting bracket for rectangular devices; material: Polypropylene	