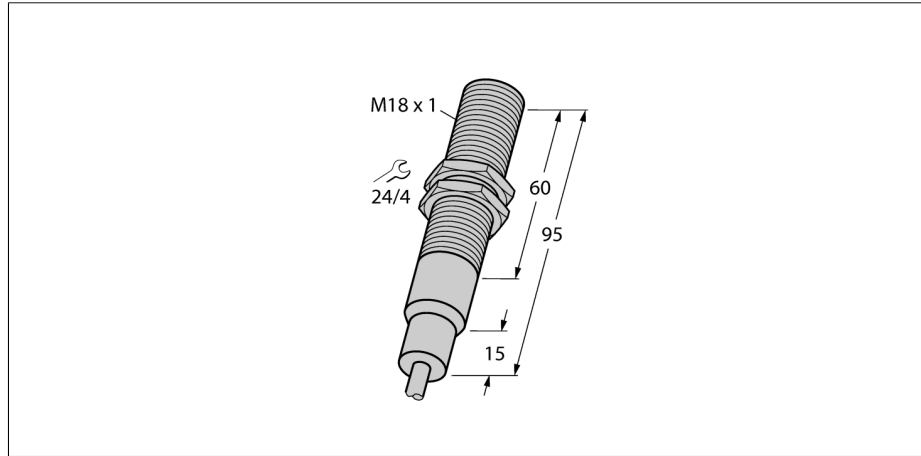
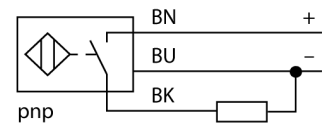


**Inductive sensor  
with extended temperature range  
BI5-EM18-AP6/S907**



- Threaded barrel, M18 x 1
- Stainless steel, 1.4571
- For temperatures up to +160°C
- 3-wire DC, 10...30 VDC
- NO contact, PNP output
- Cable connection

**Wiring diagram**

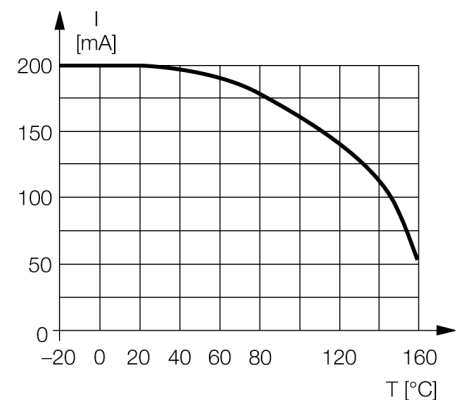


**Functional principle**

Inductive sensors detect metal objects contactless and wear-free. For this purpose they use a high-frequency electromagnetic AC field that interacts with the target. The sensors hosting a ferrite core coil generate the AC field through an LC resonant circuit.

Special versions are available for ambient temperatures between -60°C and +250°C.

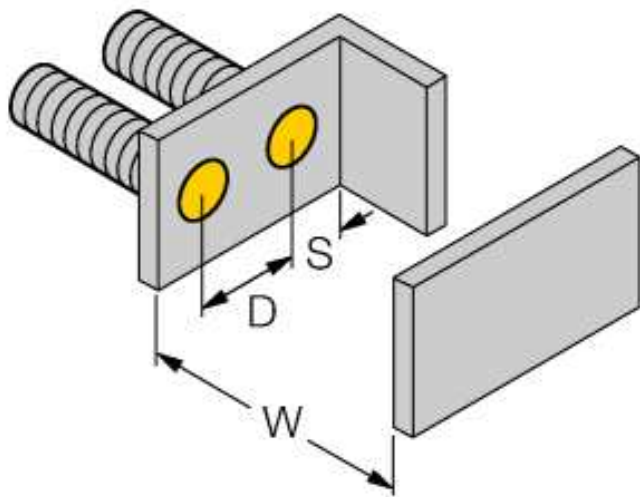
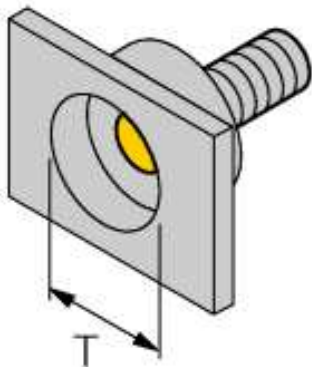
**derating curve**



<b>Type code</b>	BI5-EM18-AP6/S907
Ident no.	4617425
<b>Rated operating distance Sn</b>	5 mm
Mounting condition	flush
Assured sensing range	≤ (0,81 x Sn) mm
Correction factors	St37 = 1; Al = 0.3; stainless steel = 0.7; Ms = 0.4
Repeatability	≤ 2 % of full scale
Temperaturdrift	20 %
Hysteresis	3...15 %
Ambient temperature	-25...+160 °C
<b>Operating voltage</b>	10...30VDC
Residual ripple	≤ 10 % U <sub>ss</sub>
DC rated operational current	≤ 200 mA
Rated operational current	see derating curve
No-load current I <sub>0</sub>	≤ 15 mA
Residual current	≤ 0.1 mA
Rated insulation voltage	≤ 0.5 kV
Short-circuit protection	yes/ cyclic
Voltage drop at I <sub>0</sub>	≤ 1.8 V
Wire breakage / Reverse polarity protection	yes/ complete
Output function	3-wire, NO contact, PNP
Switching frequency	0.2 kHz
<b>Design</b>	threaded barrel, M18 x 1
Dimensions	95 mm
Housing material	Metal, V4A (1.4571)
Material active face	Plastic, PEEK
End cap	Plastic, PTFE
Admissible pressure on front cap	≤ 10 bar
Max. tightening torque housing nut	25 Nm
Connection	cable
Cable quality	3.7 mm, PTFE, FEP, 2 m
Cable cross section	3 x 0.34 mm <sup>2</sup>
Vibration resistance	55 Hz (1 mm)
Shock resistance	30 g (11 ms)
Protection class	IP68 / IP69K

**Inductive sensor  
with extended temperature range  
BI5-EM18-AP6/S907**

Distance D	2 x B
Distance W	3 x Sn
Distance T	3 x B
Distance S	1.5 x B
Distance G	6 x Sn
<hr/>	
Diameter of the active area B	Ø 18 mm



**Inductive sensor  
with extended temperature range  
BI5-EM18-AP6/S907**

**Accessories**

Type code	Ident no.	Description	Dimension drawing
MW-18	6945004	Mounting bracket for threaded barrel devices; material: Stainless steel A2 1.4301 (AISI 304)	