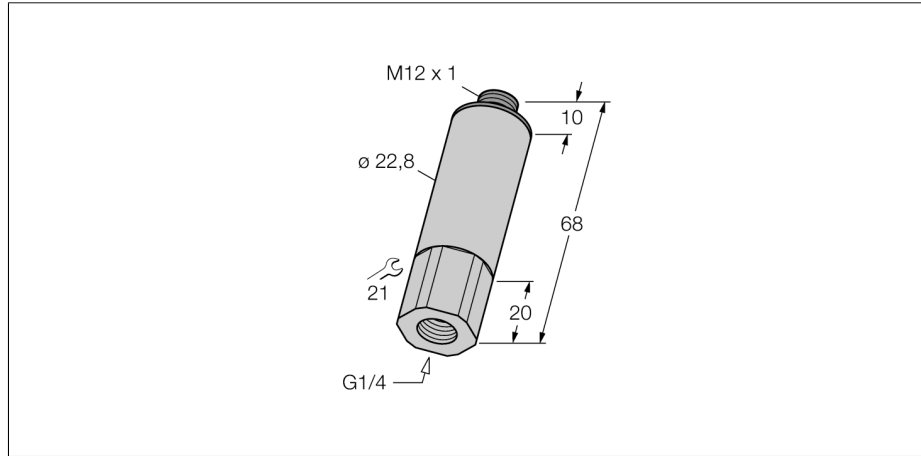
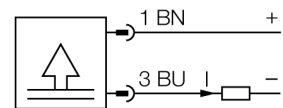


**Pressure transmitter
with current output (2-wire)
PT016R-11-LI3-H1131**



- Compact and robust design
- Pressure connection with integrated peak pressure aperture
- Minimum influence of temperature on accuracy within the entire temperature range of -40...+125°C
- Excellent EMC properties
- Pressure range 0...16 bar

Wiring diagram



Functional principle

The pressure transmitters of the PT...-1 series operate with piezo-resistive ceramic measuring cells. The ceramic diaphragm is unbalanced in proportion to the pressure applied. Depending on the sensor type used, the processed signal is provided as an analog output signal 4...20mA (2-wire) or 0...10V (3-wire).

| | |
|---|---|
| Type code | PT016R-11-LI3-H1131 |
| Ident no. | 6831439 |
| Relative pressure | 0...16bar rel. |
| Operating range | 0...232.1psi |
| Operating range | 0...1.6MPa |
| Admissible overpressure | ≤ 40 bar |
| Burst pressure | ≥ 40 bar |
| Power supply | |
| Operating voltage | 8...33VDC |
| No-load current I ₀ | ≤ 4 mA |
| Protective measure | SELV according to EN 50178 |
| Short-circuit/reverse polarity protection | yes/ yes |
| Protection type and class | IP67/ III |
| MTTF | 760 years acc. to SN 29500 (Ed. 99) 40 °C |
| Outputs | |
| Output 1 | analog output |
| Analogue output | |
| Current output | 4...20mA |
| Operating range | 4...20 mA (2-wire) |
| Load | ≤ 1 kΩ |
| Accuracy LHR analog output | ± 0.3 % of final value BSL |
| Calibration accuracy 0-point | 0.3 % of final value |
| Calibration accuracy, of final value | 0.3 % of final value |
| Response time | < 3 ms |
| Temperature behaviour | |
| Medium temperature | -40...125 °C |
| Temperature coefficient zero point T ₀ | ± 0.15 % of full scale / 10 K |
| Temperature coefficient span T _{is} | ± 0.15 % of full scale / 10 K |
| Ambient conditions | |
| Ambient temperature | -40 ... 85 °C |
| Storage temperature | -40...+85°C |
| Vibration resistance | 20 x g (9...2000 Hz, 2...9 Hz with an amplitude +/-15 mm), acc. to IEC 68-2-6 |
| Shock resistance | 100 g (11 ms) , according to IEC 61508 |
| Housing | |
| Housing material | Stainless steel/plastic, 1.4305 (AISI 303)/PC |
| material pressure connection | Stainless steel A2 1.4305 (AISI 303) |
| material pressure element | Ceramics Al ₂ O ₃ |
| Sealing material | FPM |
| Mechanical connection | G 1/4" female thread |
| Wrench size pressure connection / coupling nut | SW21 |
| Connection | male, M12 x 1 |

**Pressure transmitter
with current output (2-wire)
PT016R-11-LI3-H1131**

TURCK

Industrial
Automation

Reference conditions acc. to IEC 61298-1

| | |
|----------------------|---------------------|
| temperature | 15...25 °C |
| Atmospheric pressure | 860...1060 hPa abs. |
| Humidity | 45...75 % rel. |
| Auxiliary power | 24 VDC |

**Pressure transmitter
with current output (2-wire)
PT016R-11-LI3-H1131**

Wiring accessories

| Type code | Ident no. | Description | Dimension drawing |
|---------------|-----------|--|-------------------|
| RKC4.4T-2/TEL | 6625013 | Connection cable, female M12, straight, 4-pin, cable length: 2 m, sheath material: PVC, black; cULus approval; other cable lengths and qualities available, see www.turck.com | |
| WKC4.4T-2/TEL | 6625025 | Connection cable, female M12, angled, 4-pin, cable length: 2 m, sheath material: PVC, black; cULus approval; other cable lengths and qualities available, see www.turck.com | |
| RKC4.4T-2/TXL | 6625503 | Connection cable, female M12, straight, 4-pin, cable length: 2 m, sheath material: PVC, black; cULus approval; other cable lengths and qualities available, see www.turck.com | |
| WKC4.4T-2/TXL | 6625515 | Connection cable, female M12, angled, 4-pin, cable length: 2 m, sheath material: PVC, black; cULus approval; other cable lengths and qualities available, see www.turck.com | |