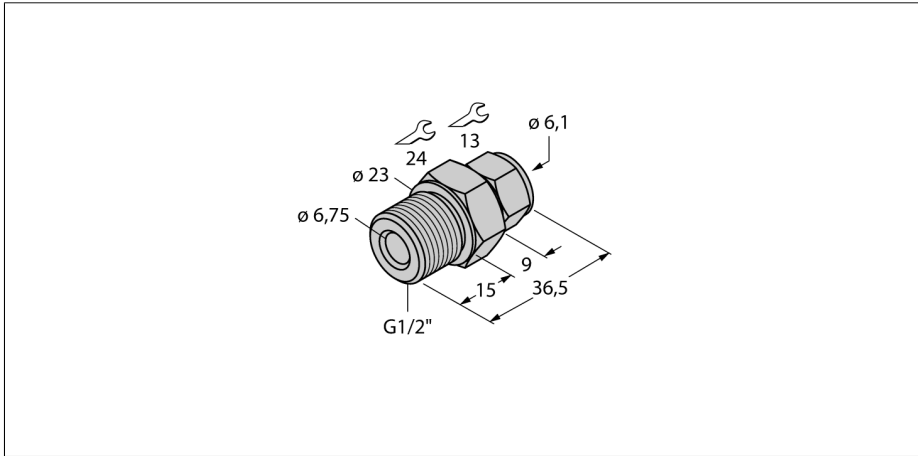


Temperature measurement
Accessories compression ferrule fitting
CF-M-6-G1/2-A4

- **Compression ferrule fittings for direct mounting of temperature probes (TP series)**

General description

Compression ferrule fittings are designed for direct compression fitting of probes. Various insertion depths of the probe can thus be achieved. When mounted with compression ferrule fittings, the probe has direct contact with the medium through which immediate reaction to temperature changes is achieved.



Type code	CF-M-6-G1/2-A4
Ident no.	9910530
Pressure resistance	100 bar
Housing	
Housing material	Stainless steel, V4A (1.4404)
Sealing material	stainless steel
Mechanical connection	G 1/2" male thread
Pressure resistance	100 bar
Max. tightening torque housing nut	100 Nm