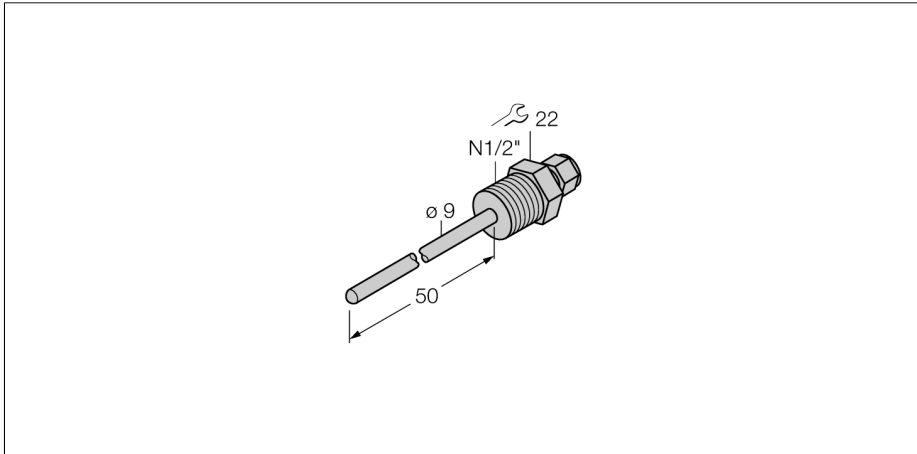


**Temperature measurement  
Accessories thermowell  
THW-6-N1/2-A4-L050**

- Thermowell for temperature probes (6 mm diameter, TP series)
- Process connection 1/2" NPT male thread

**General description**

Thermowells protect the probes against aggressive media and high pressures. Direct contact with the medium is avoided when using thermowells for mounting. The probe can be replaced without interrupting the process.



<b>Type code</b>	THW-6-N1/2-A4-L050
Ident no.	9910463
<b>Temperature operating range</b>	-50...350 °C
Immersion depth (L)	50 mm
<b>Pressure resistance</b>	400 bar
<b>Housing</b>	
Housing material	stainless steel 1.4404 (AISI 316L), V4A (1.4404)
Sealing material	stainless steel
Mechanical connection	NPT 1/2"
Pressure resistance	400 bar
Max. tightening torque housing nut	100 Nm