

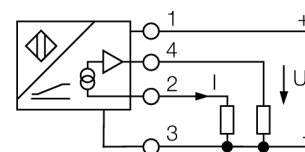
**ultrasonic sensor  
diffuse mode sensor  
RU100-CP40-LIUX**

**TURCK**

Industrial  
Automation

- Ultrasonic sensor
- Analog output, 0...10 V and 0...20 mA
- Rectangular
- Opening angle of sonic cone 60°
- Terminal chamber
- The initial scope between 5...100 cm and the axial width between 10...100 cm are adjustable within the analog range.

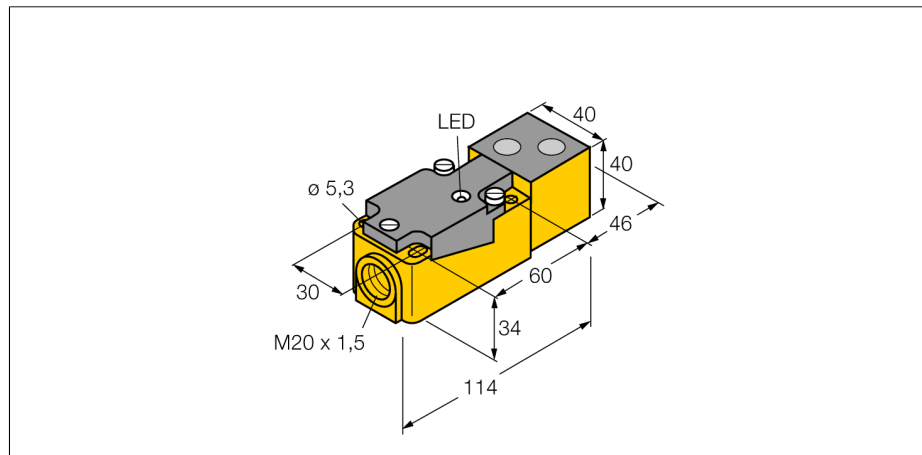
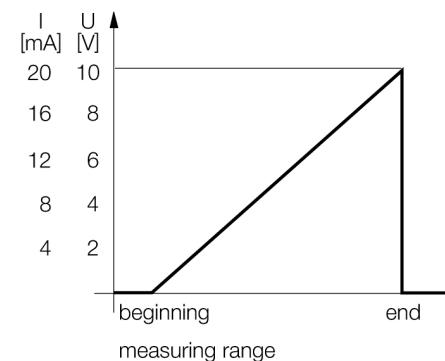
**Wiring diagram**



**Functional principle**

Ultrasonic sensors use ultrasonic waves for non-contact and wear-free detection of many objects. Regardless of whether the object is transparent or opaque, metallic or non-metallic, or of liquid, solid or powdery consistency. Environmental conditions such as spray, dust or rain hardly affect their function.

**Characteristic**



<b>Type code</b>	RU100-CP40-LIUX
Ident no.	15349
<b>Design</b>	rectangular, CP40
Housing material	Plastic, PBT
Connection	Terminal chamber, Terminal box with cable gland
Protection class	IP40
Ambient temperature	0...+70 °C
<b>Operating voltage</b>	LED yellow
Switching state	•
<b>Operating voltage</b>	15...30VDC
No-load current $I_0$	$\leq 20$ mA
Load resistance	$\leq 500 \Omega$
Response time	150 ms
Current output	0...20mA
Voltage output	0...10V
Hysteresis	$\leq 20$ mm
Short-circuit protection	yes
Reverse polarity protection	complete
Wire breakage protection	yes
<b>Range</b>	5...180 cm
Ultrasound frequency	40 kHz
Repeatability	$\geq \pm 5$ mm
Edge lengths of the nominal actuator	200 mm
Approach speed	$\leq 1$ m/s
Pass speed	$\leq 2$ m/s