

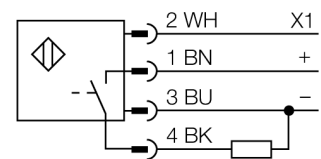
**ultrasonic sensor  
diffuse mode sensor  
RU30-Q30-AP8X-H1141**

**TURCK**

Industrial  
Automation

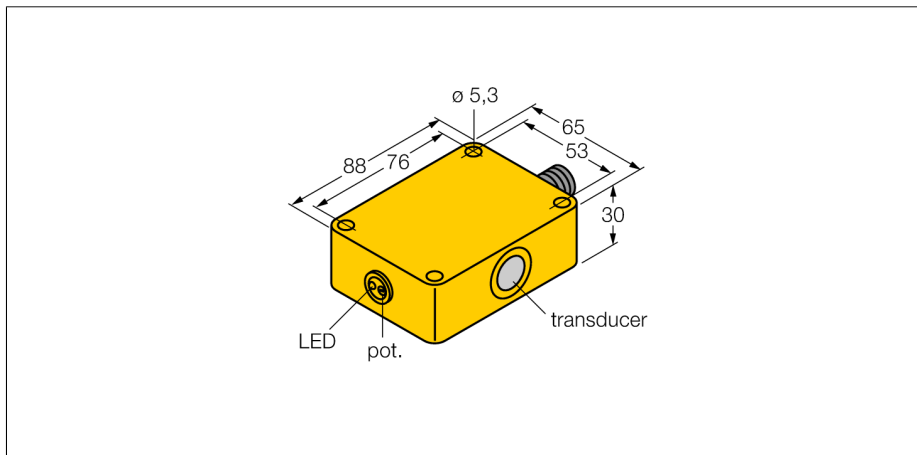
- Ultrasonic sensor
- Upper switching value adjustable via potentiometer
- Plastic housing
- synchronizable
- opening angle of sonic cone 6°

**Wiring diagram**



**Functional principle**

Ultrasonic sensors use ultrasonic waves for non-contact and wear-free detection of many objects. Regardless of whether the object is transparent or opaque, metallic or non-metallic, or of liquid, solid or powdery consistency. Even environmental conditions such as spray, dust or rain hardly affect their function.



<b>Type code</b>	RU30-Q30-AP8X-H1141
Ident no.	1820000
<b>Design</b>	rectangular, Q30
Housing material	Plastic, Crastin, SK645FR
Sonic converter material	plastic, Epoxy-resin
Connection	male, M12 x 1, 4-wire
Protection class	IP65
Ambient temperature	0...+55 °C
<b>Switching state</b>	•
<b>Operating voltage</b>	18...35VDC
DC rated operational current	≤ 100 mA
No-load current I <sub>0</sub>	≤ 35 mA
Load resistance	≤ 1000 Ω
Output function	NO contact, PNP
Switching frequency	8 Hz
Hysteresis	≤ 5 mm
Voltage drop at I <sub>0</sub>	≤ 2 V
Short-circuit protection	yes/ cyclic
Reverse polarity protection	complete
Wire breakage protection	yes
<b>Range</b>	6...30 cm
Ultrasound frequency	400 kHz
Repeatability	≥ ± 0.45 mm
Edge lengths of the nominal actuator	10 mm
Approach speed	≤ 4 m/s
Pass speed	≤ 1.5 m/s

ultrasonic sensor  
diffuse mode sensor  
RU30-Q30-AP8X-H1141

**Wiring accessories**

Type code	Ident no.	Description	Dimension drawing
RKC4.4T-2/TEL	6625013	Connection cable, female M12, straight, 4-pin, cable length: 2 m, sheath material: PVC, black; cULus approval; other cable lengths and qualities available, see <a href="http://www.turck.com">www.turck.com</a>	
WKC4.4T-2/TEL	6625025	Connection cable, female M12, angled, 4-pin, cable length: 2 m, sheath material: PVC, black; cULus approval; other cable lengths and qualities available, see <a href="http://www.turck.com">www.turck.com</a>	