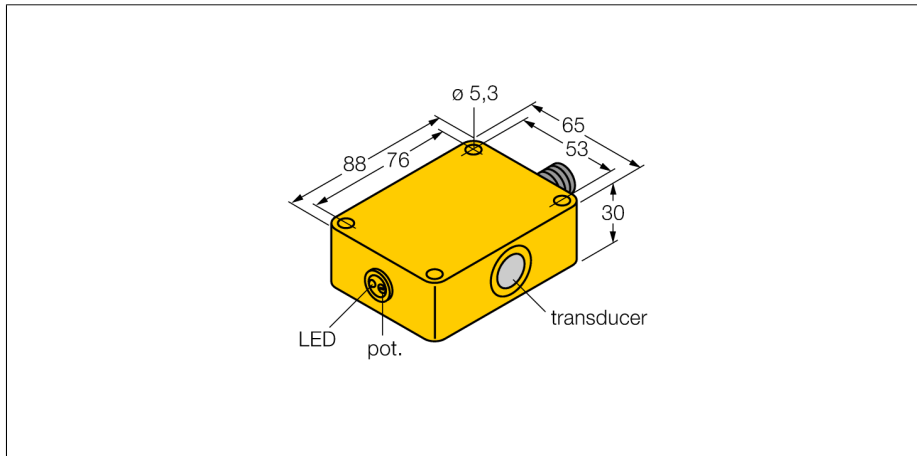


**ultrasonic sensor
diffuse mode sensor
RU30-Q30-LUX-H1141**

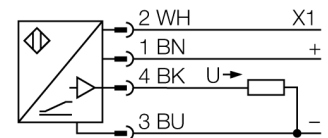
TURCK

Industrial
Automation



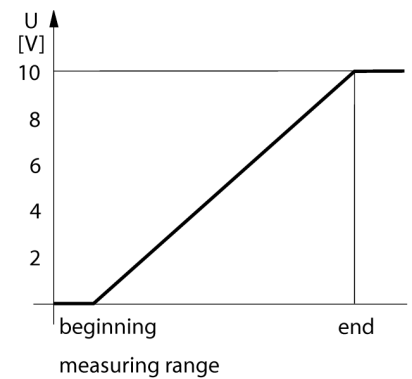
- Ultrasonic sensor
- Upper analog value adjustable via potentiometer
- Analog output, 0...10 V
- Display for object detection
- synchronizable
- opening angle of sonic cone 6°

Wiring diagram



Functional principle

Ultrasonic sensors use ultrasonic waves for non-contact and wear-free detection of many objects. Regardless of whether the object is transparent or opaque, metallic or non-metallic, or of liquid, solid or powdery consistency. Even environmental conditions such as spray, dust or rain hardly affect their function.



Type code	RU30-Q30-LUX-H1141
Ident no.	1820005
Design	rectangular, Q30
Housing material	Plastic, Crastin, SK645FR
Sonic converter material	plastic, Epoxy-resin
Connection	male, M12 x 1, 4-wire
Protection class	IP65
Ambient temperature	0...+55 °C
Switching state	•
Operating voltage	18...35VDC
No-load current I_0	≤ 35 mA
Load resistance	≤ 1000 Ω
Response time	70 ms
Readiness delay	7 ms
Voltage output	0...10V
Short-circuit protection	yes/ cyclic
Reverse polarity protection	complete
Wire breakage protection	yes
Range	6...30 cm
Ultrasound frequency	400 kHz
Repeatability	≥ ± 0.45 mm
Edge lengths of the nominal actuator	10 mm
Approach speed	≤ 4 m/s
Pass speed	≤ 1.5 m/s

ultrasonic sensor
diffuse mode sensor
RU30-Q30-LUX-H1141

Wiring accessories

Type code	Ident no.	Description	Dimension drawing
RKC4.4T-2/TEL	6625013	Connection cable, female M12, straight, 4-pin, cable length: 2 m, sheath material: PVC, black; cULus approval; other cable lengths and qualities available, see www.turck.com	
WKC4.4T-2/TEL	6625025	Connection cable, female M12, angled, 4-pin, cable length: 2 m, sheath material: PVC, black; cULus approval; other cable lengths and qualities available, see www.turck.com	