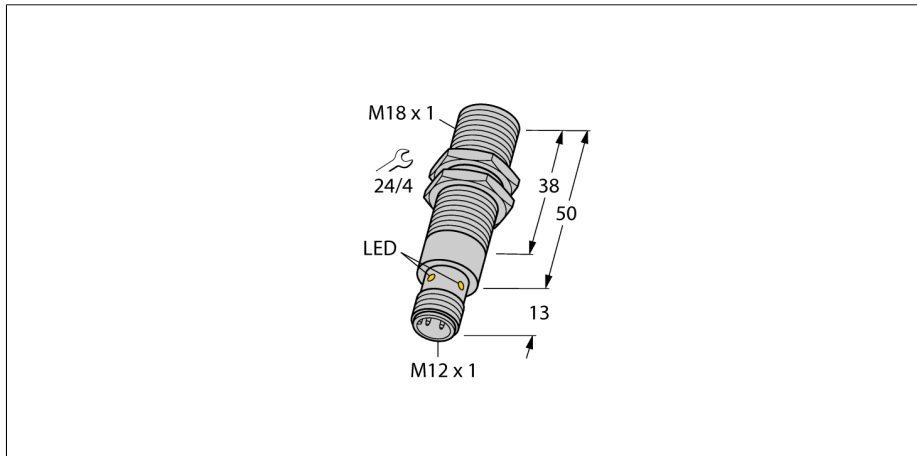


**ultrasonic sensor
retro-reflective sensor
RUR70-M18K-AP8X-H1141**

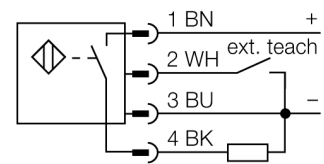
TURCK

Industrial
Automation



- Compact design
- Male connector M12 x 1
- 4-hole LED, visible from all sides
- Reflector position adjustable via teach adapter VB2-SP2
- Opening angle of sonic cone 6°

Wiring diagram




Functional principle

Ultrasonic sensors use ultrasonic waves for non-contact and wear-free detection of many objects. Regardless of whether the object is transparent or opaque, metallic or non-metallic, or of liquid, solid or powdery consistency. Even environmental conditions such as spray, dust or rain hardly affect their function.

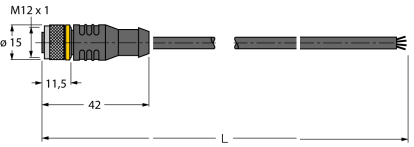
Type code	RUR70-M18K-AP8X-H1141
Ident no.	1830037
Design	cylindrical/threaded, M18
Dimensions	Ø18x 63 mm
Housing material	Metal, CuZn, nickel-plated
Connection	male, M12 x 1
Protection class	IP67
Ambient temperature	-25...+70 °C
Switching state	•
Operating voltage	20...30VDC
DC rated operational current	≤ 150 mA
No-load current I ₀	≤ 20 mA
Output function	NO contact, PNP
Switching frequency	5 Hz
Voltage drop at I ₀	≤ 2 V
Short-circuit protection	yes/ cyclic
Reverse polarity protection	complete
Wire breakage protection	yes
Range	0...70 cm
Ultrasound frequency	200 kHz
Edge lengths of the nominal actuator	20 mm

ultrasonic sensor
retro-reflective sensor
RUR70-M18K-AP8X-H1141

Accessories

Type code	Ident no.	Description	Dimension drawing
VB2-SP2	6999083	Teach adapter for ultrasonic sensors, types RUN and RUR	

Wiring accessories

Type code	Ident no.	Description	Dimension drawing
RKC4.4T-2/TEL	6625013	Connection cable, female M12, straight, 4-pin, cable length: 2 m, sheath material: PVC, black; cULus approval; other cable lengths and qualities available, see www.turck.com	
WKC4.4T-2/TEL	6625025	Connection cable, female M12, angled, 4-pin, cable length: 2 m, sheath material: PVC, black; cULus approval; other cable lengths and qualities available, see www.turck.com	