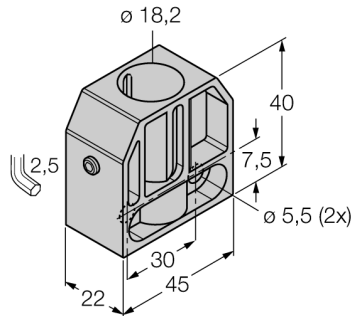


Mounting accessories BS 18

TURCK

Industrial
Automation



- Fixing clamp M18 x 1
- Plastic: PA6

General description

The sensor programme comprises inductive, magnetic-inductive, capacitive, photoelectric and ultrasonic sensors as well as pressure and flow controls.

A broad range of practice-oriented accessories ensure optimal adaption to your system.

Type code	BS 18
Ident no.	69471
Design	accessories for threaded barrels, M18
Dimensions	40 mm
Housing material	Plastic, PA