

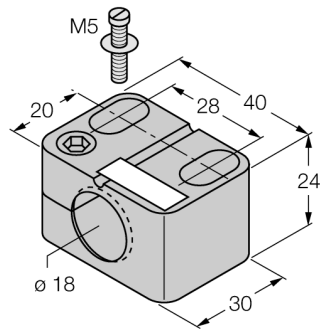
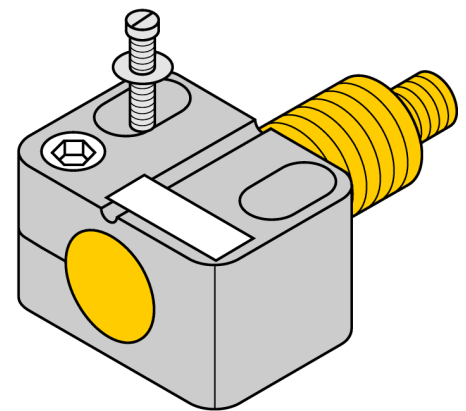
Mounting accessories
BST-18B

- Fixing clamp with dead-stop
- Plastic PA6

General description

The sensor programme comprises inductive, magnetic-inductive, capacitive, photoelectric and ultrasonic sensors as well as pressure and flow controls.

A broad range of practice-oriented accessories ensure optimal adaption to your system.



Type code	BST-18B
Ident no.	6947214
Design	accessories for threaded barrels, M18
Dimensions	30x 40x 24 mm
Housing material	Plastic, PA