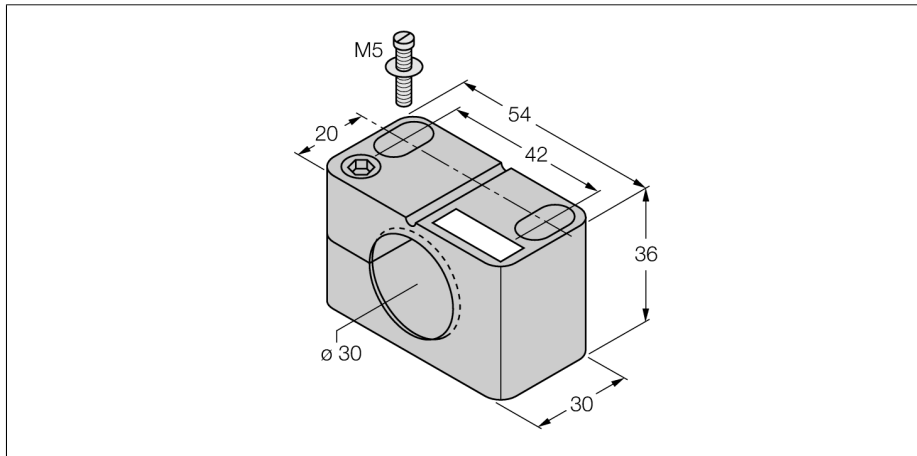


Mounting accessories BST-30B

TURCK

Industrial
Automation

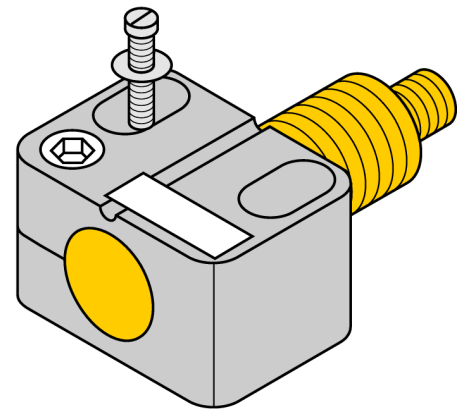


- Fixing clamp with dead-stop
- Plastic PA6

General description

The sensor programme comprises inductive, magnetic-inductive, capacitive, photoelectric and ultrasonic sensors as well as pressure and flow controls.

A broad range of practice-oriented accessories ensure optimal adaption to your system.



Type code

BST-30B

Ident no.

6947216

Design

Dimensions

accessories for threaded barrels, M30

Housing material

30x 54x 36 mm

Plastic, PA