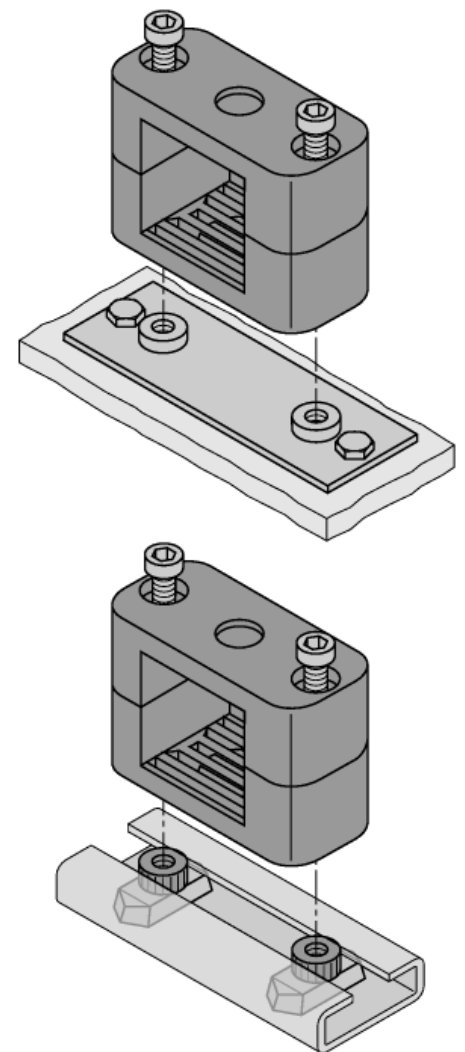
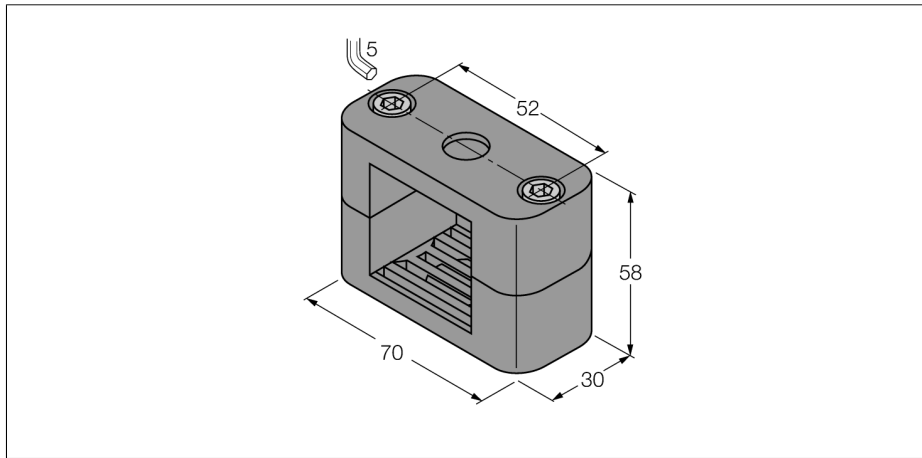


Mounting accessories
BSS-CP40

- Mounting accessories for 40 x 40mm sensors
- Plastics, polypropylene

General description

The portfolio consists of two half-shells and two Allen screws each. Optionally welding plates with additional drilling holes can be used. Matching DIN rail nuts are available for the mounting of DIN rails.



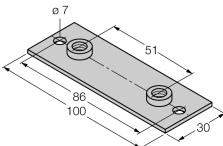
Type code	BSS-CP40
Ident no.	6901318
Design	accessories for rectangular types, CP40
Dimensions	30x 69.5x 57 mm
Housing material	Plastic, PP, green
Max. tightening torque housing nut	1 Nm
Included in scope of supply	2 x Allen screws, M6

Mounting accessories BSS-CP40

TURCK

Industrial
Automation

Accessories

Type code	Ident no.	Description	Dimension drawing
BSS-SPV5	6901324	Weld-on plate for BSS mounting bracket, long	
BSS-TSM (2 pcs.)	6901323	DIN rail nut for BSS mounting bracket	