

- For outdoor use
- EEPROM, memory 112 byte
- TID serial number: 6 byte
- Extended usable TID memory: 12 byte
- For direct mounting on metal

Functional principle

The UHF read/write heads form an air interface the size of which may vary, depending on the combination of read/write head and data carrier.

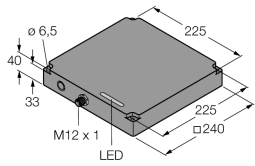
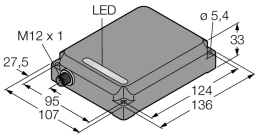
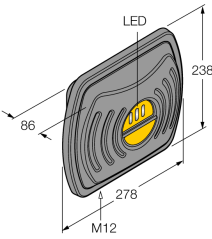
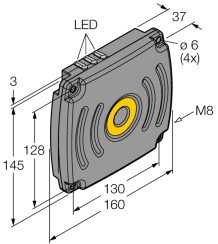
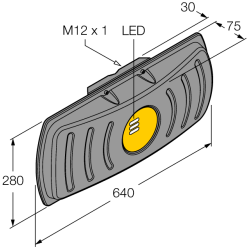
The read/write distances mentioned here only represent standard values measured under laboratory conditions and free from any influences caused by materials.

Attainable distances may vary due to component tolerances, mounting conditions, ambient conditions and material qualities, especially when mounted in metal.

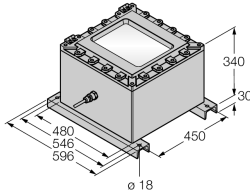
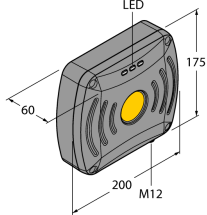
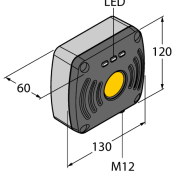
Testing of the application under real operating conditions is therefore essential, especially with read/write on-the-fly!

Type code	TW860-960-Q27L97-M-B112
Ident no.	7030464
Data transfer	alternating electromagnetic field
Operating frequency	860...960 MHz
Memory type	EEPROM
Chip	Impinj Monza 4QT
Memory	112 byte
Memory	read/write
Freely usable memory	64 byte
EPC memory	16 byte
Number of read operations	unlimited
Number of write operations	10 ⁵
Typical read time	2 ms/byte
Typical write time	3 ms/byte
Radio communication and protocol standards	ISO 18000-6C EPCglobal Gen 2
Minimum distance to metal	0 mm
Ambient temperature	-40...+80 °C
Storage temperature	-40...+80 °C
Housing length	97 mm
Housing width	27 mm
Housing height	15 mm
Housing material	Plastic, Polycarbonate/ABS
Material active face	Plastic
Protection class	IP69K
Packaged quantity	1
Special features	For direct mounting on metal and outdoor use

Read/write heads

Dimensions	Type designation	Max. read distance [m]	
		air	On metal
	TN865-Q240-H1147 7030250		
	TN865-Q107-H1147 7030251		
	TN865-Q240L280-H1147 7030295 TN902-Q240L280-H1147 7030304 TN840/920-Q240L280-H1147 7030360 TN902/915-Q240L280-H1147 7030465		
	TN865-Q150L170-V1147 7030299 TN865-Q150L170-V1147/C15 7030425 TN865-Q150L170-RU-V1147/C26 7030451		
	TN865-Q280L640-H1147 7030301 TN865-Q57-USB 7030397		

Read/write heads

Dimensions	Type designation	Max. read distance [m]	
		air	On metal
	Ident - no.		
	TN865-Q240L280-Q480H340-2M-EX 7030402		
	TN865-Q175L200-H1147 7030452	4.4	5.9
	TN902-Q175L200-H1147 7030457	6.8	6.8
	TN840/920-Q175L200-H1147 7030466	7.9	7.7
	TN917-Q175L200-H1147 7030513	7.7	7.4
	TN865-Q120L130-H1147 7030520	3.1	4.5
	TN902-Q120L130-H1147 7030535	4.9	4.9
	TN840/920-Q120L130-H1147 7030536	5.6	5.4
	TN917-Q120L130-H1147 7030537	5.4	5.2