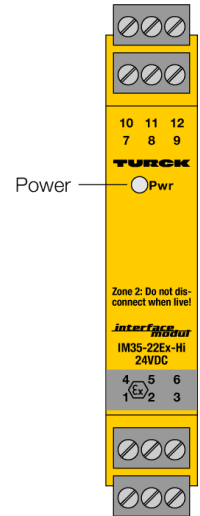
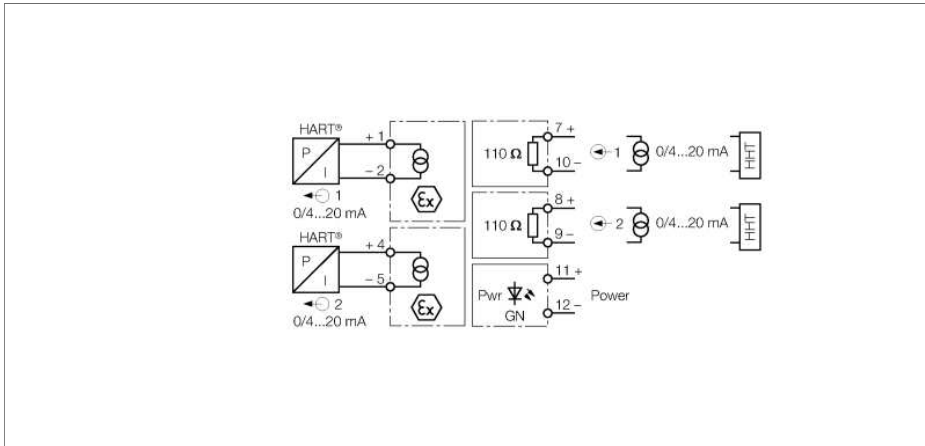


**Analog signal isolator
2-channel
IM35-22EX-HI/24VDC**



The standard current signal is galvanically separated and transferred via the 2-channel isolating transducer IM35-22EX-HI/24VDC from the non-Ex area to the Ex-area without attenuation (1:1). In addition to analog signals, the isolating transducer also transfers digital HART[®] communication signals bidirectionally.

Typical applications are for example, the control of I/P converters (at control valves for example) or indicators in the Ex-area.

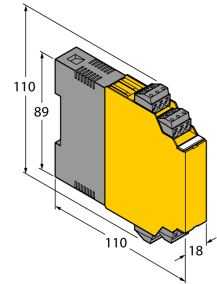
The actuators are connected to the output terminal 1/2 and 4/5. Handheld Terminals [HHT] can be connected to the output and input terminals 7/10 and 8/9.

In addition, the removable terminal blocks are equipped with 2 mm test sockets for signal control.

- Intrinsically safe output circuits Ex ia
- Application area acc. to ATEX: II (1) G, II (1) D; II 3 G
- Installation in zone 2
- Power supply of intelligent actuators via HART[®] communication
- Input circuits: 0/4...20 mA
- Output circuits: 0/4...20 mA, intrinsically-safe
- SIL2
- Removable terminal blocks, screwable, 2 mm test socket
- Complete galvanic separation

**Analog signal isolator
2-channel
IM35-22EX-HI/24VDC**

Dimensions



Type code	IM35-22EX-HI/24VDC															
Ident no.	7506515															
Nominal voltage	24 VDC															
Operating voltage range	19...29 VDC															
Power consumption	≤ 2.2 W															
Current input	0/4...20 mA															
Input resistance (current)	110 Ω															
Output circuits																
Output current	0/4...20 mA															
Load resistance current output	≤ 0.6 kΩ															
Limit frequency	≤ 10 Hz															
Rise time (10-90%)	≤ 90 ms															
Dropout time (90...10%)	≤ 90 ms															
Measuring accuracy	≤ 0.1 % of full scale															
Reference temperature	23 °C															
Temperature drift	≤ 0.005 % / K															
Galvanic separation																
Test voltage	4.0 kV															
Ex approval acc. to conformity certificate	TÜV 03 ATEX 2311															
Application area	II (1) G, II (1) D															
Protection type	[Ex ia Ga] IIC; [Ex ia Da] IIIC															
Max. output voltage U_o	≤ 15.9 V															
Max. output current I_o	≤ 60 mA															
Max. output power P_o	≤ 470 mW															
Rated voltage	250 V															
Characteristic	Trapezoidal															
Internal inductance/capacitance L/C _i	L_i =negligibly small; C_i =5nF															
External inductance/capacitance L _e /C _e	<table border="1"> <thead> <tr> <th>Ex ic</th> <th colspan="2">IIC</th> <th colspan="2">IIB</th> </tr> </thead> <tbody> <tr> <td>Lo [mH]</td> <td>5</td> <td>0,5</td> <td>10</td> <td>0,5</td> </tr> <tr> <td>Co [nF]</td> <td>135</td> <td>330</td> <td>860</td> <td>2200</td> </tr> </tbody> </table>	Ex ic	IIC		IIB		Lo [mH]	5	0,5	10	0,5	Co [nF]	135	330	860	2200
Ex ic	IIC		IIB													
Lo [mH]	5	0,5	10	0,5												
Co [nF]	135	330	860	2200												
Ex approval acc. to conformity certificate	TÜV 06 ATEX 553057 X															
Application area	II 3 G															
Protection class for belonging equipment	Ex nA [ic Gc] IIC T4 Gc															
Max. output voltage U_o	≤ 15.9 V															
Max. output current I_o	≤ 60 mA															
Max. output power P_o	≤ 470 mW															
Characteristic	trapezoidal															
Internal inductance/capacitance L/C _i	L_i =negligibly small; C_i =5nF															
External inductance/capacitance L _e /C _e	<table border="1"> <thead> <tr> <th>Ex ic</th> <th colspan="2">IIC</th> <th colspan="2">IIB</th> </tr> </thead> <tbody> <tr> <td>Lo [mH]</td> <td>5</td> <td>0,5</td> <td>10</td> <td>0,5</td> </tr> <tr> <td>Co [nF]</td> <td>290</td> <td>640</td> <td>1700</td> <td>3900</td> </tr> </tbody> </table>	Ex ic	IIC		IIB		Lo [mH]	5	0,5	10	0,5	Co [nF]	290	640	1700	3900
Ex ic	IIC		IIB													
Lo [mH]	5	0,5	10	0,5												
Co [nF]	290	640	1700	3900												
Ex approval acc. to conformity certificate	IS-1.105															
Approval	SIL 2															
MTTF	100 years acc. to SN 29500 (Ed. 99) 40 °C															
Indication																
Operational readiness	green															
Protection class	IP20															
Ambient temperature	-25...+70 °C															
Storage temperature	-40...+80 °C															
Dimensions	110x 18x 110 mm															
Weight	163 g															
Mounting instruction	For mounting on DIN rail or mounting panel															
Housing material	Polycarbonate/ABS															
Electrical connection	4 x 3-pole removable terminal blocks with test socket, reverse polarity protected, screw connection															
Terminal cross-section	1 x 2.5 mm ² / 2 x 1.5 mm ²															
Tightening torque	0.5 Nm															

Accessories

Type code	Ident no.	Description	Dimension drawing
IM-CC-3X2BU/2BK	6900475	Cage clamp terminals for IM modules (Ex devices; width 18 mm); 2 blue/2 black, 3-pin, included in delivery.	