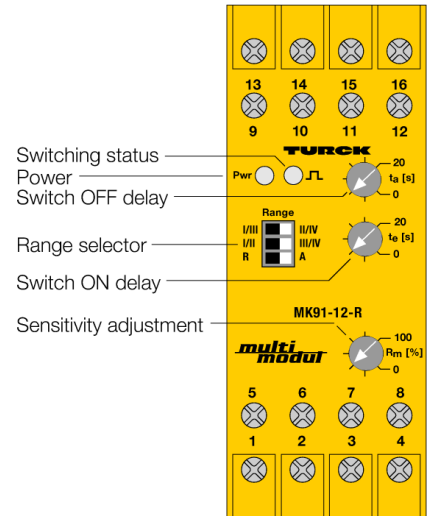
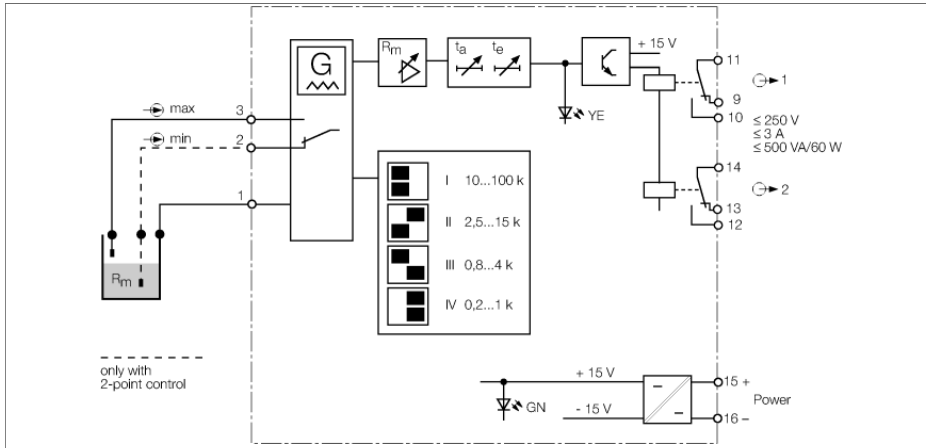


**Level controller
1-channel
MK91-12-R/24VDC**



The 1-channel level control MK91-12-R/24VDC monitors and regulates conductive liquid levels.

As a dual level regulator, it can be used to control pumps and solenoid valves, as monitoring device it is designed for run-dry or over flow protection.

The level controller not only provides optimum reliability in differentiating liquids, it is also suited for the distinction between foam and liquid. The sensitivity (liquid resistance) is adjustable between 0.2 ... 100 kΩ. One of the four sensitivity ranges can be selected with the "Range" selector switch. Fine adjustment of the switch point within the selected range is achieved with a front cover potentiometer.

The separately adjustable switch-on and switch-off delay is especially important for turbulent liquid levels. A delay time between 0 ... 20 s can be set via the front cover potentiometer.

Two parallelly operating relay outputs with one changeover contact each are provided to output the switching commands. The output configuration of both outputs can be changed from NC mode (R) to NO mode (A) for all measuring ranges using the "Range" switch.

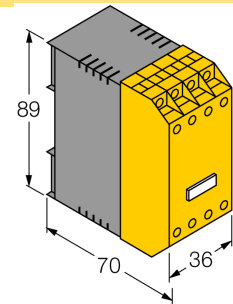
The switching status of the output is indicated by a yellow LED and operational readiness by a green LED.

For further information, please order out installation guidelines.

- **Responsivity: 0.2...100 kΩ**
- **Hysteresis: 10%**
- **Output: 2 relays with a changeover contact**
- **Electronic switching of electrodes**
- **ON/OFF delay 0...20 s, separately adjustable**
- **Reliable distinction between foam and liquid**
- **Galvanic separation of input circuits, output circuits and power supply**

**Level controller
1-channel
MK91-12-R/24VDC**

Dimensions



Type	MK91-12-R/24VDC
Ident-No.	7545077
Nominal voltage	24 VDC
Operating voltage range	20...28 VDC
Power consumption	≤ 1.5 W
Input circuits	2 electrodes or alternatively 3 electrodes
Schaltpunkt	0,2-100 kΩ
Probe voltage	0,02...5 V _{pp} /150 Hz (triangle)
Schaltswelle	0,2...1 kΩ
Schaltswelle	0,8...4 kΩ
Schaltswelle	2,5...15 kΩ
Schaltswelle	10...100 kΩ
Einschaltverzögerung	0...20 s
Ausschaltverzögerung	0...20 s
Hysterese	10%
Output circuits (digital)	2 x relay (change-over)
Relay switching voltage	≤ 250 VAC/120 VDC
Switching current per output	≤ 3 A
Switching capacity per output	≤ 500 VA/60 W
Switching frequency	≤ 5 Hz
Contact quality	AgNi, 3μ Au
Galvanic separation	
Test voltage	2.5 kV
Rated voltage	250 V
Indication	
Operational readiness	green
Switching state	yellow
Protection class	IP20
Ambient temperature	-25...+60 °C
Storage temperature	-40...80°C
Dimensions	89x 36x 70 mm
Weight	150 g
Mounting instruction	For mounting on DIN rail or mounting panel
Housing material	Polycarbonate/ABS
Electrical connection	4 x 4-pole flat terminals with self-lifting pressure plates
Terminal cross-section	1 x 2.5 mm ² / 2 x 1.5 mm ²