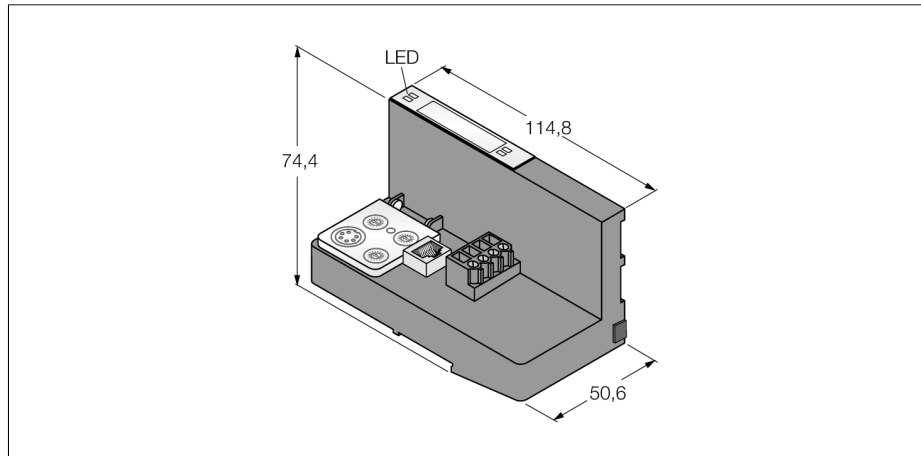


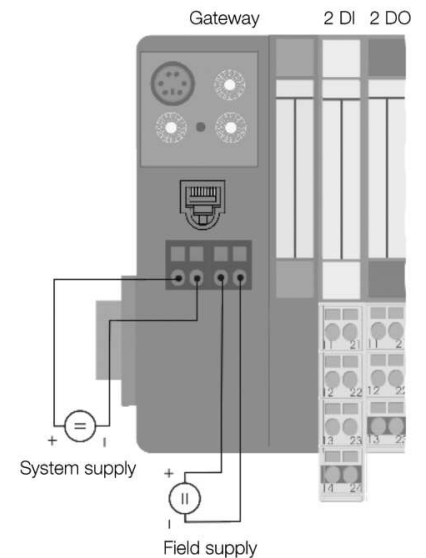
**Gateway for BL20 I/O system  
interface for PROFINET IO; supply inclusive  
BL20-GW-EN-PN**



- Rotary coding switch to adjust the node address
- Protection class IP20
- 2 x end brackets BL20-WEW35/2-SW
- 1 x end plate BL20-ABPL
- Integrated power supply
- LEDs for display of supply voltage, group and bus errors
- Interface between the BL20 system and PROFINET IO
- 10/100 Mbps
- RJ45 hookup

<b>Type</b>	BL20-GW-EN-PN
Ident-No.	6827300
<b>Supply voltage</b>	24VDC
System power supply	24 VDC / 5 VDC
Field supply	24 VDC
Admissible range	18...30 VDC
Rated current from module bus	≤ 500 mA
Max. field supply current	10 A
Max. system supply current	1.2 A
Voltage supply connection	screw connection
<b>Fieldbus transmission rate</b>	10/100 Mbps
Fieldbus addressing	PROFINET conform, rotary switch, BOOTP, DHCP, IO-ASSISTANT
Fieldbus connection technology	RJ45 socket
<b>Service interface</b>	PS/2 socket for I/O-ASSISTANT
<b>Dimensions (W x L x H)</b>	50.6x114.8x74.4mm
Approvals	CE, cULus, zone2, ClassI,div.2.
Operating temperature	0 ... +55 °C
Storage temperature	-25 ... +85 °C
Relative humidity	5 to 95% (internal), Level RH-2, no condensation (at 45 °C storage)
Vibration test	acc. to EN 61131
Shock test	acc. to IEC 68-2-27
Drop and topple	acc. to IEC 68-2-31 and free fall to IEC 68-2-32
Electro-magnetic compatibility	acc. to EN 50,082-2
Protection class	IP20
<b>Included in scope of supply</b>	2 x end brackets BL20-WEW-35/2-SW, 1 x end plate BL20-ABPL

**Field supply/system supply**



**Functional principle**

BL20 gateways are the head component of a BL20 station. They are designed to interface the modular fieldbus nodes to the higher level fieldbus (PROFIBUS-DP, DeviceNet, CANopen, Ethernet).

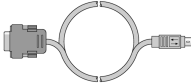
All BL20 electronic modules communicate over the internal module bus, the data of which is transferred to the fieldbus via the gateway, so that all I/O modules can be configured independently of the bus system.

**Gateway for BL20 I/O system  
interface for PROFINET IO; supply inclusive  
BL20-GW-EN-PN**

**TURCK**

Industrial  
Automation

**Wiring accessories**

Type code	Ident-No.	Description	Dimension drawing
I/O-ASSISTANT-KA-BEL-BL20/BL67	6827133	RS232 adapter cable for the BL67/BL20 service interface	
BS3511/KLBUE4-31.5	6827342	Shield terminal and strain relief for bus cable	