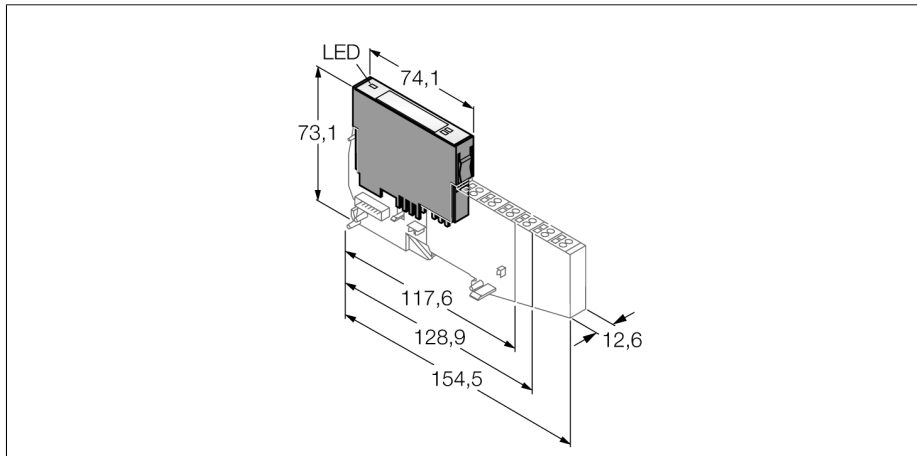


BL20 electronic module
2 digital inputs
BL20-2DI-120/230VAC-P



- Fieldbus and connection technology independent
- Protection class IP20
- LEDs indicate status and diagnostic
- Electronics galvanically separated from the field level via optocouplers
- 2 digital inputs, 120/230 VAC

Functional principle

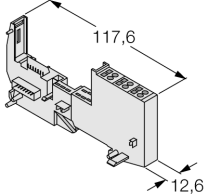
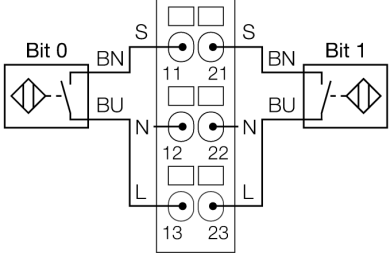
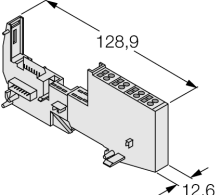
BL20 electronic modules are plugged into the purely passive base modules which are used for connection of field devices. Maintenance is significantly facilitated due to separation of the connection level from the module electronics. Furthermore flexibility is enhanced because the base modules provide a choice of tension spring or screw connection technology.

The electronic modules are completely independent of the type of higher level field bus through the use of gateways.

Type	BL20-2DI-120/230VAC-P
Ident-No.	6827011
Number of channels	
Number of channels	2
Rated voltage from the supply terminal	120 / 230 VAC
Supply voltage	120/230 VAC
Rated current from field supply	≤ 20 mA
Rated current from module bus	≤ 28 mA
Power loss, typical	≤ 1 W
Inputs	
Low level signal voltage	0 V ... 20 VAC
High level signal voltage	79 VAC ... 265 VAC
Frequency range	47.5 Hz to 63 Hz
Low level signal current	0 mA ... 1 mA
High level signal current	3 mA ... 10 mA
Input delay	< 20 ms
Electrical isolation	electronics for the field level
Connection technology	Screw, tension spring
Dimensions (W x L x H)	
Dimensions (W x L x H)	12.6x74.1x55.4mm
Approvals	CE, cULus
Operating temperature	0 ... +55 °C
Storage temperature	-25 ... +85 °C
Relative humidity	5 to 95% (internal), Level RH-2, no condensation (at 45 °C storage)
Vibration test	acc. to EN 61131
Shock test	acc. to IEC 68-2-27
Drop and topple	acc. to IEC 68-2-31 and free fall to IEC 68-2-32
Electro-magnetic compatibility	acc. to EN 50,082-2
Protection class	IP20

BL20 electronic module
2 digital inputs
BL20-2DI-120/230VAC-P

Compatible base modules

Dimension drawing	Type	Pin configuration
	<p>BL20-S3T-SBB 6827044 tension spring connection</p> <p>BL20-S3S-SBB 6827045 screw connection</p>	<p>Wiring diagram</p> 
	<p>BL20-S4T-SBBC 6827050 tension spring connection, access to C rail</p> <p>BL20-S4S-SBBC 6827051 screw connection, access to C rail</p>	<p>Wiring diagram</p> 