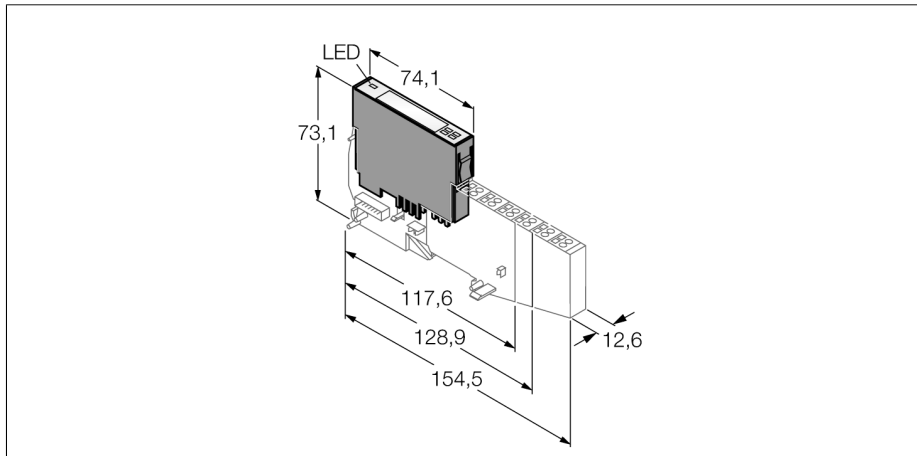


BL20 electronic module
4 digital inputs
BL20-4DI-24VDC-N



- Fieldbus and connection technology independent
- Protection class IP20
- LEDs indicate status and diagnostic
- Electronics galvanically separated from the field level via optocouplers
- 4 digital inputs, 24 VDC
- NPN switching

Functional principle

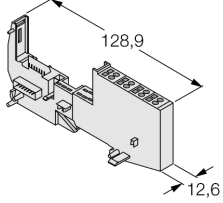
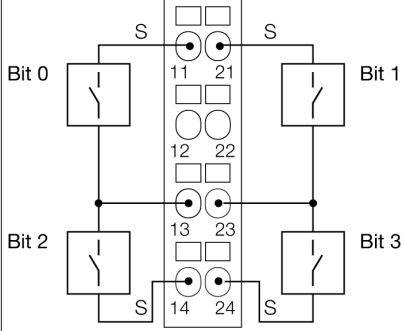
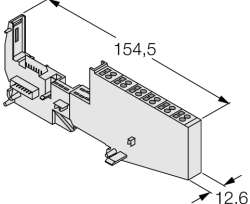
BL20 electronic modules are plugged into the purely passive base modules which are used for connection of field devices. Maintenance is significantly facilitated due to separation of the connection level from the module electronics. Furthermore flexibility is enhanced because the base modules provide a choice of tension spring or screw connection technology.

The electronic modules are completely independent of the type of higher level field bus through the use of gateways.

Type	BL20-4DI-24VDC-N
Ident-No.	6827013
Number of channels	4
Rated voltage from the supply terminal	24 VDC
Supply voltage	24 VDC
Rated current from field supply	≤ 40 mA
Rated current from module bus	≤ 28 mA
Power loss, typical	≤ 1 W
Inputs	
Input type	npn
Low level signal voltage	> 13 V
High level signal voltage	0 V ... +5 V
Low level signal current	0...1.2 mA
High level signal current	1.3...6 mA
Input delay	< 0.2 ms
Electrical isolation	electronics for the field level
Connection technology	Screw, tension spring
Dimensions (W x L x H)	12.6x74.1x55.4mm
Approvals	CE, cULus, zone2, ClassI,div.2.
Operating temperature	0 ... +55 °C
Storage temperature	-25 ... +85 °C
Relative humidity	5 to 95% (internal), Level RH-2, no condensation (at 45 °C storage)
Vibration test	acc. to EN 61131
Shock test	acc. to IEC 68-2-27
Drop and topple	acc. to IEC 68-2-31 and free fall to IEC 68-2-32
Electro-magnetic compatibility	acc. to EN 50,082-2
Protection class	IP20

BL20 electronic module
4 digital inputs
BL20-4DI-24VDC-N

Compatible base modules

Dimension drawing	Type	Pin configuration
	<p>BL20-S4T-SBBS 6827046 tension spring connection</p> <p>BL20-S4S-SBBS 6827047 screw connection</p>	<p>Wiring diagram</p> 
	<p>BL20-S6T-SBBSBB 6827052 tension spring connection</p> <p>BL20-S6S-SBBSBB 6827053 screw connection</p>	<p>Wiring diagram</p> 