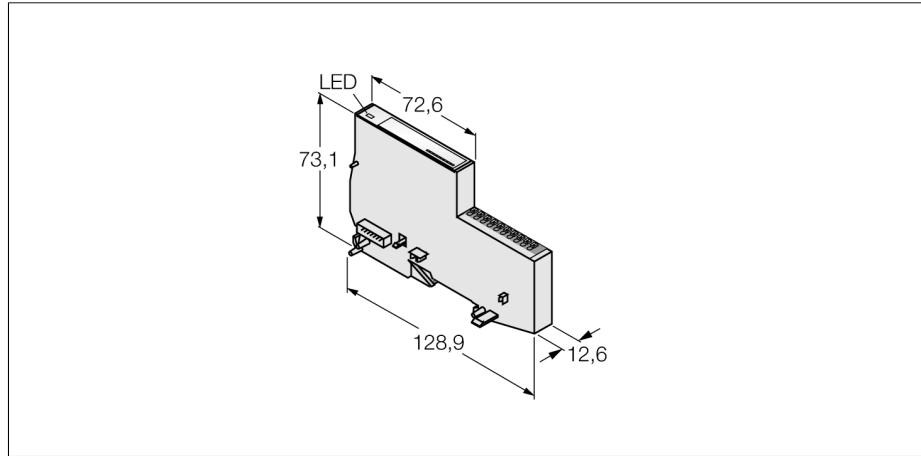
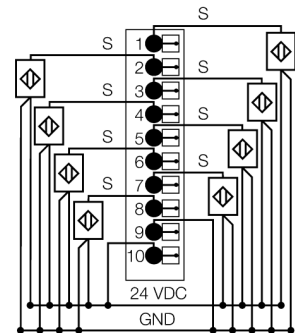


BL20 Economy Module
8 digital inputs
BL20-E-8DI-24VDC-P



- Fieldbus-independent
- Electronics and connection technology in one housing
- Push-in clamps
- Protection class IP20
- 8 digital inputs, 24 VDC
- PNP switching

Terminal connection



Functional principle

Electronics and connection technology are integrated in the housing. A base module is not needed. Economy modules and modules with separate electronics and connection technology can be fitted into a station, provided the base modules feature tension spring connections.

The use of gateways makes economy modules completely independent from the higher level fieldbus.

Type	BL20-E-8DI-24VDC-P
Ident-No.	6827227
Number of channels	8
Rated voltage from the supply terminal	24 VDC
Supply voltage	24 VDC
Admissible range	18...30 VDC
Rated current from field supply	≤ 2 mA
Rated current from module bus	≤ 15 mA
Power loss, typical	≤ 1.5 W
Input type	pnp
Low level signal voltage	-30 V ... +5 V
High level signal voltage	11 V ... 30 V
Low level signal current	-1 mA ... 1.5 mA
High level signal current	2 mA ... 5 mA
Input delay	< 0.2 ms
Electrical isolation	electronics for the field level
Connection technology	push-in
Dimensions (W x L x H)	12.6x128.6x74.6mm
Approvals	CE, cULus, zone2, ClassI,div.2.
Operating temperature	0 ... +55 °C
Storage temperature	-25 ... +85 °C
Relative humidity	5 to 95% (internal), Level RH-2, no condensation (at 45 °C storage)
Vibration test	acc. to EN 61131
Shock test	acc. to IEC 68-2-27
Drop and topple	acc. to IEC 68-2-31 and free fall to IEC 68-2-32
Electro-magnetic compatibility	acc. to EN 50,082-2
Protection class	IP20