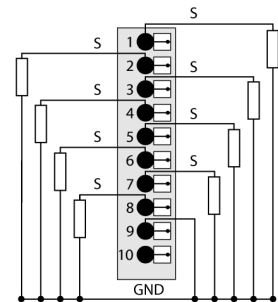


BL20 Economy Module
8 digital outputs
BL20-E-8DO-24VDC-0.5A-P

- Fieldbus-independent
- Electronics and connection technology in one housing
- Push-in clamps
- Protection class IP20
- 8 digital outputs, 24 VDC
- Max. 0.5 A
- PNP switching

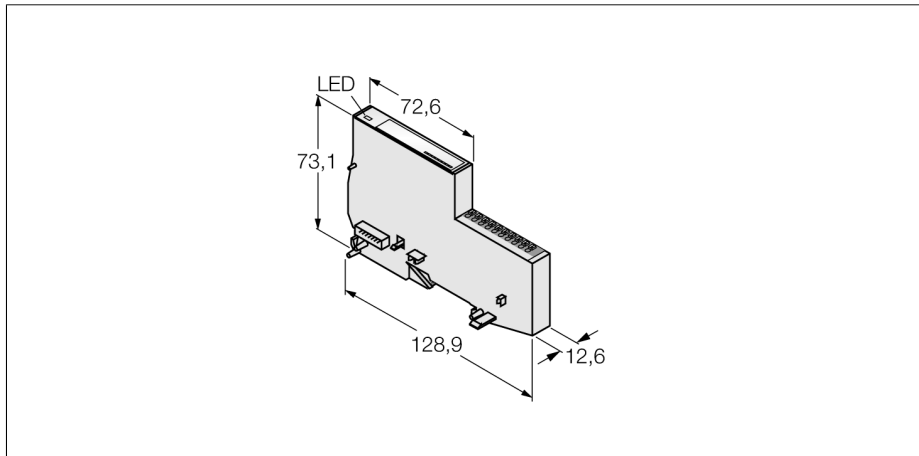
Terminal connection



Functional principle

Electronics and connection technology are integrated in the housing. A base module is not needed. Economy modules and modules with separate electronics and connection technology can be fitted into a station, provided the base modules feature tension spring connections.

The use of gateways makes economy modules completely independent from the higher level fieldbus.



Type	BL20-E-8DO-24VDC-0.5A-P
Ident-No.	6827226
Number of channels	8
Rated voltage from the supply terminal	24 VDC
Supply voltage	24 VDC
Admissible range	18...30 VDC
Rated current from field supply	≤ 3 mA
Rated current from module bus	≤ 15 mA
Power loss, typical	≤ 1.5 W
Connection technology	push-in
Output type	pnp
Simultaneity factor	1
Electrical isolation	electronics for the field level
Dimensions (W x L x H)	12.6x128.6x74.6mm
Approvals	CE, cULus, zone2, ClassI,div.2.
Operating temperature	0 ... +55 °C
Storage temperature	-25 ... +85 °C
Relative humidity	5 to 95% (internal), Level RH-2, no condensation (at 45 °C storage)
Vibration test	acc. to EN 61131
Shock test	acc. to IEC 68-2-27
Drop and topple	acc. to IEC 68-2-31 and free fall to IEC 68-2-32
Electro-magnetic compatibility	acc. to EN 50,082-2
Protection class	IP20