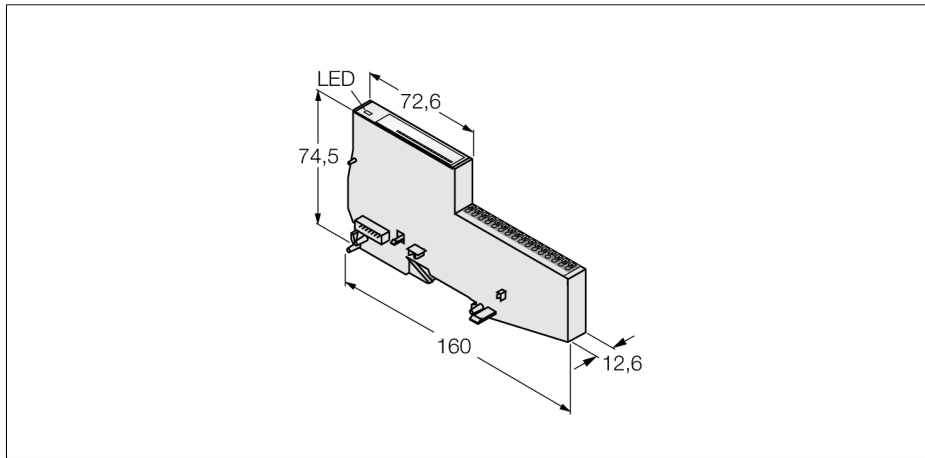
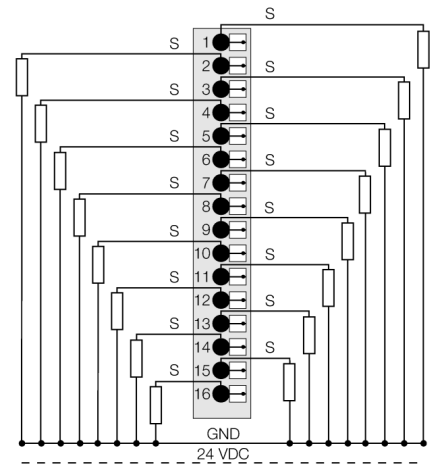


**BL20 Economy Module**  
**16 digital outputs**  
**BL20-E-16DO-24VDC-0.5A-P**



- Fieldbus-independent
- Electronics and connection technology in one housing
- Push-in clamps
- Protection class IP20
- 16 digital outputs, 24 VDC
- Max. 0.5 A
- PNP switching

**Terminal connection**



**Functional principle**

Electronics and connection technology are integrated in the housing. A base module is not needed. Economy modules and modules with separate electronics and connection technology can be fitted into a station, provided the base modules feature tension spring connections.

The use of gateways makes economy modules completely independent from the higher level fieldbus.

<b>Type</b>	BL20-E-16DO-24VDC-0.5A-P
<b>Ident-No.</b>	6827230
<b>Number of channels</b>	16
Rated voltage from the supply terminal	24 VDC
Supply voltage	24 VDC
Admissible range	18...30 VDC
Rated current from field supply	≤ 3 mA
Rated current from module bus	≤ 25 mA
Power loss, typical	≤ 1.5 W
<b>Connection technology</b>	push-in
<b>Output type</b>	pnp
Simultaneity factor	0.5
Electrical isolation	electronics for the field level
<b>Dimensions (W x L x H)</b>	12.6x160x74.6mm
Approvals	CE, cULus, zone2, ClassI, div.2.
Operating temperature	0 ... +55 °C
Storage temperature	-25 ... +85 °C
Relative humidity	5 to 95% (internal), Level RH-2, no condensation (at 45 °C storage)
Vibration test	acc. to EN 61131
Shock test	acc. to IEC 68-2-27
Drop and topple	acc. to IEC 68-2-31 and free fall to IEC 68-2-32
Electro-magnetic compatibility	acc. to EN 50,082-2
Protection class	IP20