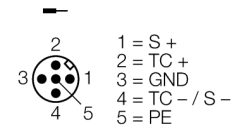


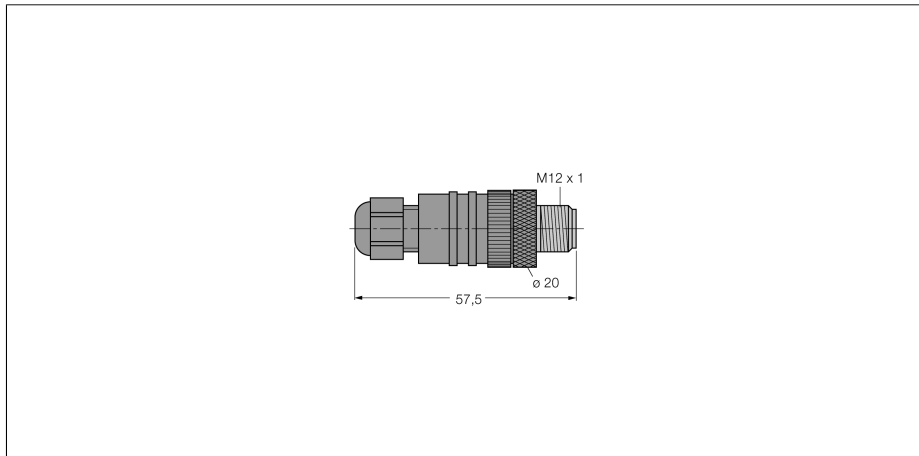
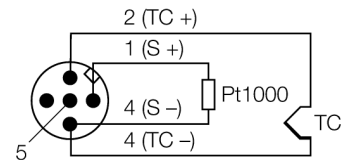
Accessories for BL67
M12 x 1 round connector with Pt1000 sensor
BL67-WAS5-THERMO

- Accessories for BL67-2AI-TC
- Round connector M12 x 1
- Customizable
- Screw/clamp connection
- For cold junction compensation
- Pt1000 sensor integrated

Pin assignment



Wiring diagram



Type code	BL67-WAS5-THERMO
Ident no.	6827197
Connector A side	male connector, M12 x 1, straight
Number of pins	5
Contacts	metal, CuZn, Optalloy coated
Contact carriers	plastic, PA, black
Grip	plastic, PA, black
Coupling nut/screw	CuZn, nickel-plated
Protection class	IP67, (screwed together)
External diameter of the cable	3... 6.5mm
Core cross-section/Clamping ability	0.75 mm ²
Connection mode	screw/clamp connection
Pollution degree	3
Rated voltage [Umax]	60 V
Approvals	UL
resistance to oil	yes
Insulation resistance	≥ 10 ⁸ Ω
Forward resistance	≤ 5 mΩ
Ambient temperature Connector	-25... +90°C