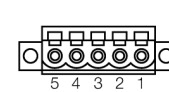


Compact I/O station for DeviceNet
4 digital inputs, 4 configurable channels
FDN20-4S-4XSG-DIN

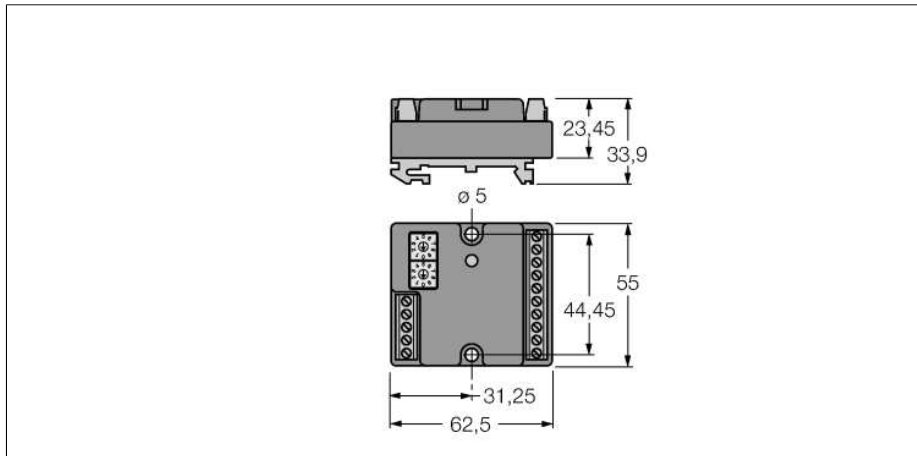
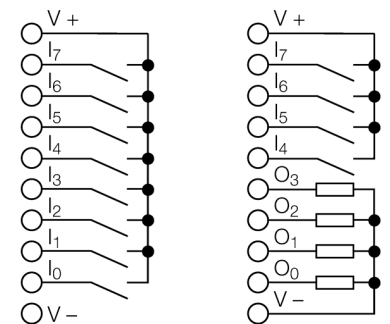
- rotary coding switch for adjustment of the node address
- degree of protection IP20
- can be mounted on DIN rail
- 4 digital inputs
- 4 configurable channels, DI or DO
- 24 VDC
- pnp
- Output current: 0.5 A

Fieldbus



- 1 = BK (V -)
- 2 = BU (CAN L)
- 3 = Shield
- 4 = WH (CAN H)
- 5 = RD (V +)

Wiring diagram



Type code	FDN20-4S-4XSG-DIN
Ident no.	6611377
Number of channels	8
internal power consumption	<50 mA plus I/O supply
Voltage supply via DeviceNet	24 VDC
Supply voltage	24 VDC
Admissible range field supply	11...26 VDC
Voltage supply connection	screw connection
Fieldbus transmission rate	125...500 kbps
Fieldbus addressing range	0...63
Fieldbus addressing	2 decimally coded rotary switches
Inputs	
Input voltage	11...26 VDC
Low level signal voltage	< 4 V
High level signal voltage	8...24 V
Low level signal current	< 0.5 mA
High level signal current	1...3.4 mA
Input delay	2.5 ms
Max. input current	Total: 700 mA
Output voltage	18...26 VDC, short-circuit proof
Output current per channel	0.5 A (from DeviceNet)
Switching frequency	≤ 100 Hz
LEDs Bus	green: Communication green flashing: Ready for communication red: No communication red flashing: Connection time-out
Dimensions (W x L x H)	55x62.5x23.5mm
Operating temperature	-40...70°C
Protection class	IP20
Approvals	CE, UL
UL conditions	pol. deg.2; surr. air temp. max. 40°C; cl.2 ps req.; tight. torque max. 0.56-0.79 Nm