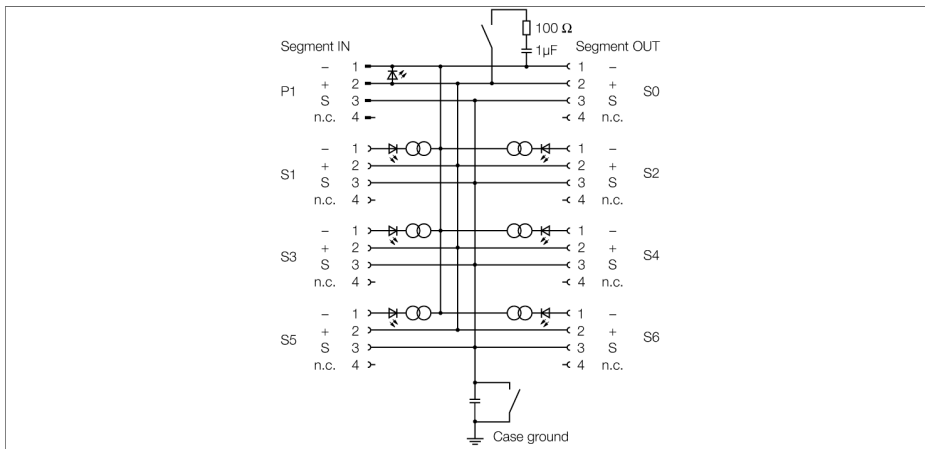


**FOUNDATION™ fieldbus**  
**IP67 junction box, 6-channel**  
**JBBS-49SC-E613/3G**

**TURCK**

Industrial  
Automation



The 6-channel Ex junction box JBBS-49SC-E613/3G is designed for FOUNDATION™ fieldbus systems.

The junction is equipped with an adjustable short-circuit limit. The following max. current limitations can be adjusted via a rotary switch: 30, 35, 45 and 60 mA.

The housing is made of powder-coated die-cast aluminium and features protection class IP67.

The junction box is equipped with a selectable bus terminating resistor. The according switch is integrated in the housing on the board.

Condensation in the housing is prevented by a breather.

The shield is capacitively coupled to the housing potential. A switch for direct coupling of the shield and housing is implemented.

**Note:** Sufficient equipotential bonding for the installation has to be provided. The device is connected to the equipotential bond via the housing's M5 x 1 grounding bolt.

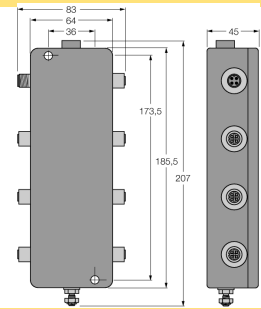


- Entity and FNICO compliant according to IEC TS 60079-27
- Can be mounted in zone 2
- Junction box for wall mounting with stainless steel M12 flange connections
- Short-circuit protection per drop line/spur
- integrated terminating resistor (switch-in)
- cable shielding: capacitive or direct connection to housing potential selectable via switch
- isolated support terminal for optional protective conductor incorporated in cable
- powder-coated die-cast aluminium housing
- pressure compensation element for protection against condensation water
- connection of the housing potential via an M5 x 1 bolt

**FOUNDATION™ fieldbus**  
**IP67 junction box, 6-channel**  
**JBBS-49SC-E613/3G**

<b>Type code</b>	JBBS-49SC-E613/3G
Ident no.	6611434
<b>Fieldbus standard</b>	IEC 61158-2
<b>Operating voltage range</b>	12...32 VDC
Current self-consumption	≤ 7 mA
Voltage drop	≤ 0.3 V
<b>Short-circuit protection</b>	≤ 30, ≤ 35, ≤ 45, ≤ 60mA
<b>Indication</b>	
Operational readiness	1 x green
Short-circuit message	6 x red
<b>Ex approval acc. to conformity certificate</b>	PTB 07 ATEX 2017 X
Device designation	Ⓔ II 3 G Ex nA II T4
Device designation	Ⓔ II 3 G Ex nA [nL] IIC/IIB T4 FNICO / Entity field device
<b>Electrical connection</b>	M12 flange connection
Segment IN	1 x M12 - connector
Segment OUT	1 x M12 - female connector
Drop line	6 x M12 - female connector
Earthing bolt	M5 x 1
<b>Protection class</b>	IP67
MTTF	117 years acc. to SN 29500 (Ed. 99) 40 °C
Ambient temperature	-25...+70 °C
Housing material	powder-coated die-cast aluminium
Housing color	black/yellow
Dimensions	64x 185.5x 45 mm
Connection mode	Wall mounting

**Dimensions**



**pin assignment**

