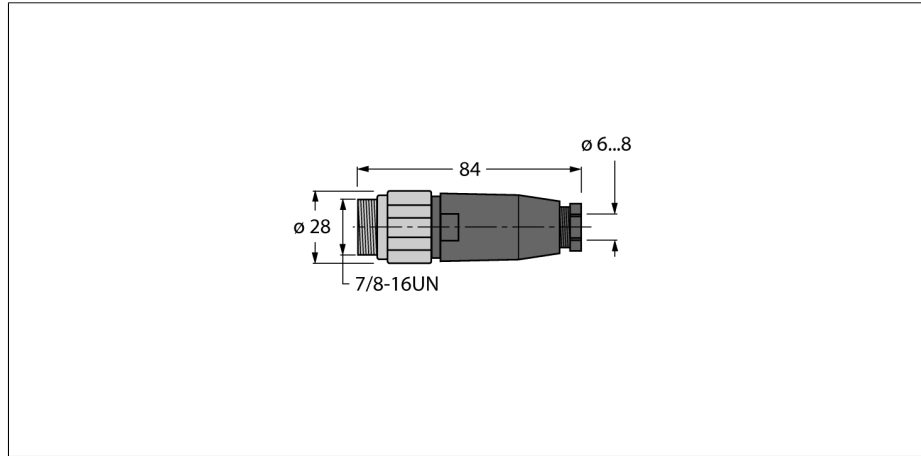
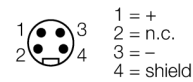


Accessories for fieldbus systems
Field-wireable connector
BSV4140-0/9

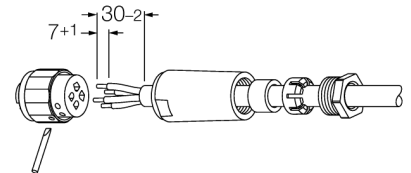
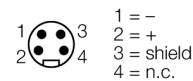


- Male
- 7/8" round connector
- Field-wireable
- Screw/clamp connection
- 4-pole, straight, stainless steel coupling nut
- Cable outlet 6...8 mm
- For use in PROFIBUS-PA and FOUNDATION™ fieldbus applications

PROFIBUS-PA connection



FOUNDATION™ fieldbus connection



Type code	BSV4140-0/9
Ident no.	6914542
Connector A side	field-wireable male connector, 7/8", straight
Number of pins	4
Contacts	metal, CuZn, gold-plated
Contact carriers	plastic, TPU, black
Grip	plastic, PA, black
Coupling nut/screw	1.4404
Seal	plastic, NBR
Screw-in thread seal	plastic, NBR
Protection class	IP67, (screwed together)
External diameter of the cable	min. 6... 8mm
Core cross-section/Clamping ability	max. 1 mm ²
Screw-in thread	PG 9
Connection mode	screw/clamp connection
Pollution degree	3
Rated voltage [Umax]	250 V
Insulation resistance	≥ 10 ⁸ Ω
Ampacity	9 A
Forward resistance	≤ 5 mΩ
Ambient temperature Connector	-40... +90°C