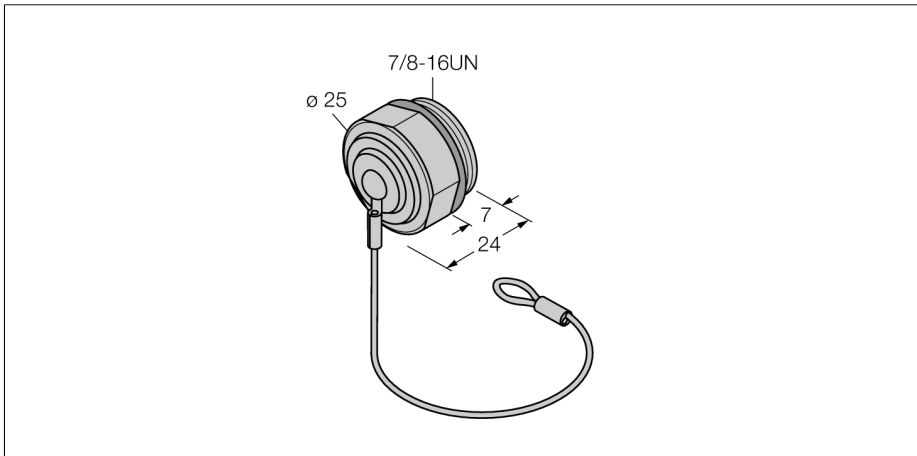


Accessories for fieldbus systems
Screw-on cap 7/8"
RSMV-CC

TURCK

Industrial
Automation



- 7/8" end-cap, stainless steel
- Male
- Oil-resistant
- IP67 acc. to IEC 60529/ EN 60529 and Nema 1,3,4,6P
- with fixing rope

Type code
Ident no.

RSMV-CC
6604030