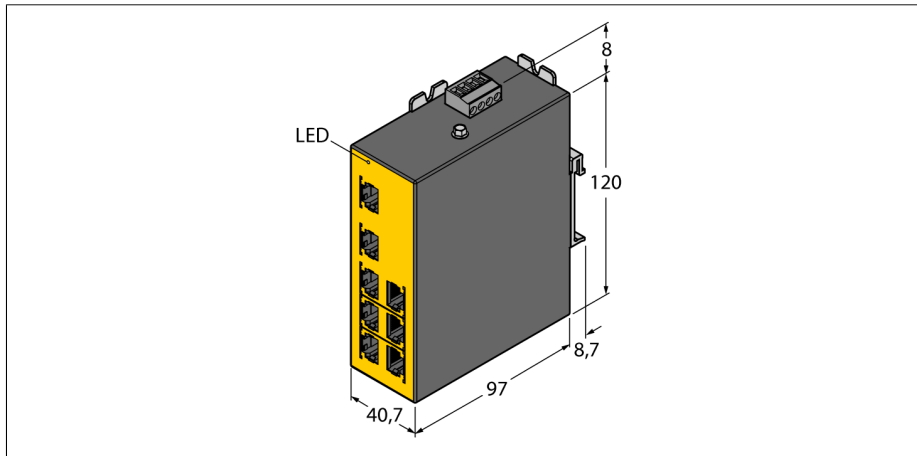


# Industrial Ethernet Managed switch SE20-84MT-RJ822

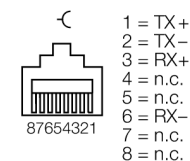
**TURCK**

Industrial  
Automation

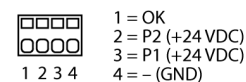


- 10/100 MBit/s
- Auto-Negotiation, 10/100M, half/full duplex
- Auto-Crossing, Auto-Polarity
- Auto-Adressierung, Alterung und Migration
- Store and Forward Datenübertragung
- IEEE 802.3, 802.3u, 802.3x, 802.3D/w, 802.3p, 802.3Q
- Real-Time-Ring™ oder Rapid Spanning Tree (RSTP)
- SNMPv1 und v2 Network Management
- SNMPv3 Überwachung & Verschlüsselung
- SNMP Meldungen
- IGMP für Multicasting (Snooping und Abfragen)
- Broadcast- und Multicast-Storm Schutz
- RMON (Fernüberwachung ) und Port-Mirroring (Spiegelung)
- Sicherheit durch HTTPS, SSL, SSH, SNMPv3
- Webbasierte Konfiguration
- 8 ports
- Ethernet connection: shielded RJ45 sockets
- Spannungsversorgung: Abziehbare Schraubklemme
- Schutzart: IP20

### Fieldbus RJ45



### Power supply



### Functional principle

Ethernet Switches vereinfachen die Netzwerkkommunikation, indem sie den Datenverkehr reduzieren. Sie leiten Frames nur an den Port weiter, der sie benötigt.

<b>Type code</b>	SE20-84MT-RJ822
Ident no.	6607011
<b>Supply voltage</b>	24 VDC
Admissible range	10...30 VDC
Power consumption	≤ 4.3 W
Transient Protection	15,000 Wp
Spike Protection	5.000 W (10 mal für 10 µs)
Voltage supply connection	Screw-terminal strip, pluggable
<b>Fieldbus transmission rate</b>	10 Mbps / 100 Mbps
Ethernet Compliance	IEEE 802.3 (10 Mbps Ethernet) IEEE 802.3u (100 Mbps Ethernet) IEEE 802.3.3 x (Full-Duplex with Flow Control) IEEE 802.1D/w (RSTP for redundant rings) IEEE 802.1 p (Priority Queuing - QoS, CoS, ToS/DS) IEEE 802.1Q (VLAN for traffic segregation)
Communication Ports	8 Ports (managed)
Fieldbus connection technology	RJ45 socket
MAC Addresses	2048
Memory bandwidth	3.2 Gbps
Latency (typical)	@100 Mbit/s: 5 µs + Frame time; @10 Mbit/s: 16 µs + Frame time
Electrical isolation	1500 VRMS 1 min.
Electromagnetic compatibility (EMC)	FCC part 15, ICES-003, EN6100-6-4, IEC61000-6-2, CE
<b>Dimensions</b>	38,1 x 82,8 x 101,6 mm
Weight	280 g
Operating temperature	-40...+75 °C
Storage temperature	-40...+85 °C
Relative humidity	5...95% (nicht kondensierend)
Vibration and shock testing	gem. IEC 60068-2-6
Protection class	IP20
Mounting	Befestigung auf Hutschiene und Montageplatte
Housing material	Aluminium
<b>Approvals and certificates</b>	UL508/CSA C22.2/14; EN61010-1; UL1604/CSA C22.2/213 (Class I, Div. 2); EN60079-15 (Zone 2, Category 3); CE (ATEX)
Life cycle MTBF	>2M Std. GB bei 40°C gemäß MIL-HNDBK-217F2