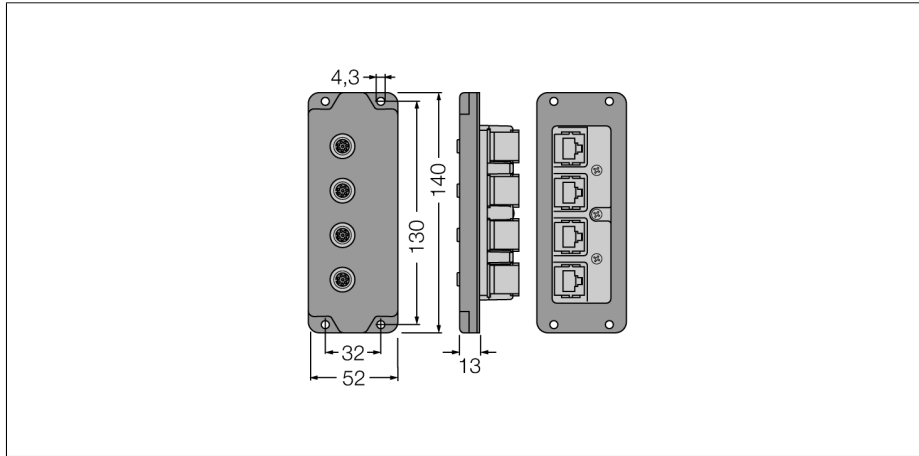
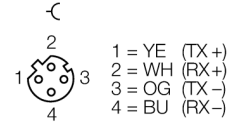


Accessories for fieldbus systems
Wall/panel feed-through
BIC-44-E424

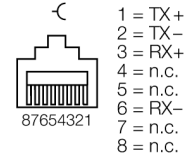


- For Industrial Ethernet
- 4-port, RJ45 on M12 x 1
- 4-pin
- D-coding
- Protection class: IP20/67

M12 x 1



RJ45



Type code	BIC-44-E424
Ident no.	6604407
Connector A side	
Number of pins	female connector, M12 x 1
Contacts	4
Contact carriers	metal, CuZn, gold-plated
Protection class	plastic, PA 12 GF, black
Mechanical lifespan	IP67, (plugged)
Pollution degree	> 100 mating cycles
	3
Connector B side	
Number of pins	female connector, RJ45
Contacts	8
Protection class	metal, CuZn, gold-plated
	IP20
Rated voltage [U_{max}]	
Ampacity	250 V
Ambient temperature Connector	4 A
	-30... +75°C