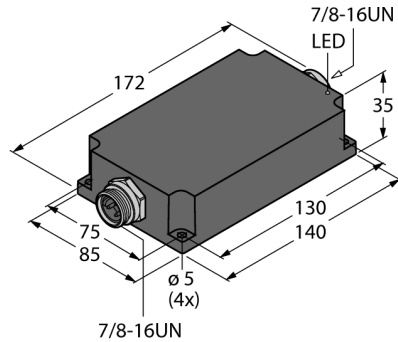


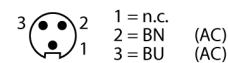
Compact power supply module in IP67
24 VDC output voltage - 4 A output current
PSU67-11-2440/M



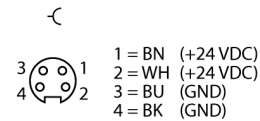
- Safety extra low voltage SELV acc. to DIN EN 60950-1
- CE compliant
- UL certified
- RoHS compliant
- Broad temperature range
- Status LED
- AC and DC wide-range input
- Mains buffering up to 50 ms
- High efficiency
- No-load and short-circuit proof
- Natural air cooling

Type code	PSU67-11-2440/M
Ident no.	6884141
Nominal voltage	Universal voltage supply unit
Operating voltage	100...240 VAC
Frequency	50...60 Hz
Operating voltage range	100...300 VDC
Power consumption	≤ 104 VA
Power loss, typical	≤ 11 W
Mains buffering	Ui: 100...240 VAC/ 50 ms
Nominal voltage	24 V
Nominal current	4 A
Overload protection	105-130 %
Parallel mode	no
Ripple	240 mV
Short-circuit behaviour	Current limiting
Operational readiness	LED green
Protection class	IP67
Ambient temperature	-25...+60 °C
Storage temperature	-40...+85 °C
Derating	2 % / K (50 °C)
Dimensions	85x 172x 35 mm
Weight	812 g
Mounting instruction	4 mounting holes □ 5.0 mm
Housing material	Glass fiber reinforced polyamide (PA66-GF25)
Electrical connection	male

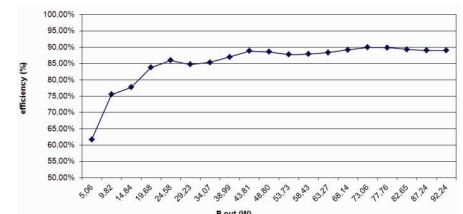
Input assignment 7/8"



Output assignment 7/8"



Characteristic



Compact power supply module in IP67
24 VDC output voltage - 4 A output current
PSU67-11-2440/M

Wiring accessories

Type code	Ident no.	Description	Dimension drawing
RSM40-RKM50-0,3M/ BL67	6931723	Supply line, male 7/8" 4-pin on female 7/8" 5-pin; 0.3 m	
RSM40-RKM50-0,5M/ BL67	6830939	Supply line, male 7/8" 4-pin on female 7/8" 5-pin; 0.5 m	
RSM40-RKM50-1M/BL67	6931725	Supply line, male 7/8" 4-pin on female 7/8" 5-pin; 1 m	
RKM30-2M	6915212	Supply line 7/8" female, 3-pin, 2 m	
RKM30-10M	6915213	Supply line 7/8" female, 3-pin, 10 m	

Compact power supply module in IP67
24 VDC output voltage - 4 A output current
PSU67-11-2440/M

Wiring accessories

Type code	Ident no.	Description	Dimension drawing
BS4141-0/13.5	6914510	Male 7/8", field-wireable, 4-pin, PG 13.5 screw-in thread	
B4131-0/9	6914501	Female 7/8", field-wireable, 3-pin, PG9 screw-in thread	
B4141-0/13.5	6914509	Female 7/8", field-wireable, 4-pin, PG 13.5 screw-in thread	
B4151-0/13.5	6904715	Female 7/8", field-wireable, 5-pin, PG 13.5 screw-in thread	
RSM-2RKM40	6914828	T-piece for power supply, 7/8", 4-pin, 1 x male, 2 x female, 9A nominal current	

Compact power supply module in IP67
24 VDC output voltage - 4 A output current
PSU67-11-2440/M

TURCK

Industrial
Automation

Wiring accessories

Type code	Ident no.	Description	Dimension drawing
RSM-2RKM50	6914950	T-piece for power supply, 7/8", 5-pin, 1x male, 2 x female, 9A nominal current	
RK4.22T-0,5-RSM40/ CS11119	6932293	Adapter 7/8", for male 4-pin on female M12, 4-pin with special pinning for connection of the wireless systems DX70 / DX80 / Data Radio to power supply units of the PSU67 series	