

PIC32-PINGUINO-MICRO development board **USER'S MANUAL**

Revision A, April 2012
Designed by OLIMEX Ltd, 2011



All boards produced by Olimex LTD are ROHS compliant

Disclaimer:

© 2012 Olimex Ltd. Olimex®, logo and combinations thereof, are registered trademarks of Olimex Ltd. Other terms and product names may be trademarks of others.

The information in this document is provided in connection with Olimex products. No license, express or implied or otherwise, to any intellectual property right is granted by this document or in connection with the sale of Olimex products.

Neither the whole nor any part of the information contained in or the product described in this document may be adapted or reproduced in any material from except with the prior written permission of the copyright holder, unless it is clearly stated by Olimex that the product is licensed under the Open Source Hardware (OSHW) Definition 1.0.

The product described in this document is subject to continuous development and improvements. All particulars of the product and its use contained in this document are given by OLIMEX in good faith. However all warranties implied or expressed including but not limited to implied warranties of merchantability or fitness for purpose are excluded. This document is intended only to assist the reader in the use of the product. OLIMEX Ltd. shall not be liable for any loss or damage arising from the use of any information in this document or any error or omission in such information or any incorrect use of the product.

**Thank you for purchasing PIC32-PINGUINO-MICRO development board
assembled by OLIMEX LTD**

Table of Contents

CHAPTER 1.....	5
OVERVIEW.....	5
1. Introduction to the chapter.....	5
1.1 Features.....	5
1.2 Similar boards.....	5
1.3 Organization.....	6
Chapter 2.....	7
Introduction to arduino/pinguino/maple.....	7
2. What is Arduino?.....	7
2.1 First steps with Pinguino IDE.....	8
CHAPTER 3	9
SETTING UP THE PIC32-PINGUINO-MICRO BOARD.....	9
3. Introduction to the chapter.....	9
3.1 Electrostatic warning.....	9
3.2 Requirements.....	9
3.3 Powering the board.....	9
3.4 Prebuilt software.....	10
CHAPTER 4.....	11
PIC32-PINGUINO-MICRO BOARD DESCRIPTION.....	11
4. Introduction to the chapter.....	11
4.1 Layout (top view).....	11
4.2 Layout (bottom view).....	12
CHAPTER 5.....	13
THE PIC32MX440F256H MICROCONTROLLER.....	13
5. Introduction to the chapter.....	13
5.1 The microcontroller.....	13
CONTROL CIRCUITY.....	15
6. Introduction to the chapter.....	15
6.1 Reset.....	15
6.2 Clock.....	15
CHAPTER 7.....	16
HARDWARE.....	16
7. Introduction to the chapter.....	16
7.1 mini ICSP.....	16
7.2 UEXT.....	16

7.3 CON1.....	17
7.4 CON2.....	18
7.5 USB-OTG (On-The-Go).....	19
7.6 SD/MMC Micro card slot.....	19
7.7 Jumper description.....	20
7.8 Pinguino IDE PIN TABLE.....	21
7.9 Additional hardware components.....	22
CHAPTER 8.....	23
MEMORY AND BLOCK DIAGRAM.....	23
8. Introduction to the chapter.....	23
8.1 Memory organization.....	24
CHAPTER 9.....	25
SCHEMATICS.....	25
9. Introduction to the chapter.....	25
9.1 Eagle schematic.....	25
9.2 Physical dimensions.....	27
CHAPTER 10.....	28
REVISION HISTORY.....	28
10. Introduction to the chapter.....	28
10.1 Document revision.....	28
10.2 Web page of your device.....	29

CHAPTER 1

OVERVIEW

1. Introduction to the chapter

Thank you for choosing the PIC32-PINGUINO-MICRO development board from Olimex! This document provides a User's Guide for the Olimex PIC32-PINGUINO-MICRO development board. As an overview, this chapter gives the scope of this document and lists the board's features. The document's organization is then detailed.

The PIC32-PINGUINO-MICRO development board enables code development of applications running on the PIC32MX220F032D microcontroller, manufactured by Microchip technology.

1.1 Features

- PIC32MX440F256H 80 MHz microcontroller 256KB Flash 32KB RAM
 - microSD card for data logging
 - UEXT connector which allow many existing modules like RF, ZIGBEE, GSM, GPS to be connected
 - Two LEDs
 - One BUTTON
 - RESET button
 - USB-OTG (On-the-go) connector – so your device acts as a host allowing easier connection
 - All PIC ports available on 0.1" connectors
 - miniICSP connector 0.05"step if you do not want to use Pinguino IDE and want to program this board with PIC-ICD2-POCKET or PIC-KIT3 you should use also PIC-ICSP convertor board, same applies for Microchip programmers.
 - Dimensions only 33,4mm at 54mm (1,3'' at 2,125'')
-

1.2 Similar boards

PIC32-PINGUINO-OTG is the bigger version of PIC32-PINGUINO-MICRO. It features mounted external power connector, Li-Ion battery option with built-in onboard charger, 1 LED more, wider range of power supply options, 4 mount holes making board attachment easier.

1.3 Organization

Each section in this document covers a separate topic, organized as follow:

- Chapter 1 is an overview of the board usage and features
- Chapter 2 has a short introduction to Arduino platform and its derivatives Pinguino and Maple
- Chapter 3 provides a guide for quickly setting up the board
- Chapter 4 contains the general board diagram and layout
- Chapter 5 describes the component that is the heart of the board: the PIC32MX220F032D microcontroller
- Chapter 6 is an explanation of the control circuitry associated with the microcontroller to reset. Also shows the clocks on the board
- Chapter 7 covers the connector pinout, peripherals and jumper description
- Chapter 8 shows the processor diagram and memory map
- Chapter 9 provides the schematics
- Chapter 10 contains the revision history

CHAPTER 2

INTRODUCTION TO ARDUINO/PINGUINO/MAPLE

2. What is Arduino?

Arduino is an open-source electronics prototyping platform, designed to make the process of using electronics in multidisciplinary projects easily accessible. The hardware consists of a simple open hardware design for the Arduino board with an Atmel AVR processor and on-board I/O support. The software consists of a standard programming language and the boot loader that runs on the board.

Arduino hardware is programmed using a Wiring-based language (syntax + libraries), similar to C++ with some simplifications and modifications, and a Processing-based Integrated Development Environment (IDE).

The project began in Ivrea, Italy in 2005 aiming to make a device for controlling student-built interaction design projects less expensively than other prototyping systems available at the time. As of February 2010 more than 120,000 Arduino boards had been shipped. Founders Massimo Banzi and David Cuartielles named the project after a local bar named Arduino. The name is an Italian masculine first name, meaning "strong friend". The English pronunciation is "Hardwin", a namesake of Arduino of Ivrea.

More information could be found at the creators web page <http://arduino.cc/> and in the Arduino Wiki <http://en.wikipedia.org/wiki/Arduino>

To make the story short - Arduino is easy for beginners who lack Electronics knowledge, but also does not restrict professionals as they can program it in C++ or mix of Arduino/C++ language. There are thousands of projects which makes it easy to startup as there is barely no field where Arduino enthusiasts to have not been already.

Arduino has inspired two other major derivatives - MAPLE and PINGUINO. Based on 8-bit AVR technology the computational power of Arduino boards is modest, this is why a team from MIT developed the MAPLE project which is based on ARM7 STM32F103RBT6 microcontroller. The board have same friendly IDE as Arduino and offers the same capabilities as hardware and software but runs the Arduino code much faster. The Maple project can be found at <http://leaflabs.com>

In parallel with Arduino another project was started called PINGUINO. This project chose its first implementation to be with PIC microcontrollers, as AVR's were hard to find in some parts of the world like South America so it is likely to see lot of PINGUINO developers are from that part of the

world. PINGUINO project founders decided to go with Python instead Java for processing language. For the moment PINGUINO is much more flexible than Arduino as it is not limited to 8bit microcontrollers. Currently the IDE, which has GCC in background, can support 8-bit PIC microcontrollers, 32bit PIC32 (MIPS) microcontrollers and ARM7/CORTEXM3 microcontrollers which makes PINGUINO very flexible because once you make your project you can migrate easily through different hardware platforms and not being bound to a single microcontroller manufacturer. The PINGUINO project can be found at: <http://www.pinguino.cc>.

2.1 First steps with Pinguino IDE

Download the latest Pinguino IDE distribution depending on your operation system and install it. Connect your device in bootloader mode to the computer (for PIC32-PINGUINO-MICRO hold BUT and press RST after connected). Start the IDE from it's shortcut. From Preferences choose board (for PIC32-PINGUINO-MICRO that would be PIC32 Pinguino Micro). From File->Open navigate to the examples folder which is found in the Pinguino IDE installation folder. Choose a simple example to begin with like BlinkWithoutDelay.pde and open it. Change the pins for the LEDs in the example according the the table in the hardware section and the schematic (for instance LEDs at the moment of writing are pinguino pins 10 and 32). Click "Compile" (blue arrow) and after it compiles click "Upload to Pinguino" (green arrow). Voila, you have uploaded code to your Pinguino device.

Now start exploring the world of Pinguino! More info and help on the software can be found and the official pinguino web site. You can leave your feedback on the project and report bugs at the forum: <http://forum.pinguino.cc/>.

CHAPTER 3

SETTING UP THE PIC32-PINGUINO-MICRO BOARD

3. Introduction to the chapter

This section helps you set up the PIC32-PINGUINO-MICRO development board for the first time. Please consider first the electrostatic warning to avoid damaging the board, then discover the hardware and software required to operate the board.

The procedure to power up the board is given, and a description of the default board behavior is detailed.

3.1 Electrostatic warning

PIC32-PINGUINO-MICRO is shipped in a protective anti-static package. The board must not be exposed to high electrostatic potentials. A grounding strap or similar protective device should be worn when handling the board. Avoid touching the component pins or any other metallic element.

3.2 Requirements

In order to set up the PIC32-PINGUINO-MICRO, the following items are required:

If using the free PINGUINO IDE the ONLY requirement is a miniUSB to USB-A cable to connect to a computer.

If you want to upgrade the bootloader, or program the board without the PINGUINO-IDE there are pinouts for ICSP programmer (note that there isn't a connector mounted). You can use our PIC-KIT3 programmer for custom programming without PINGUINO IDE.

3.3 Powering the board

The PIC32-PINGUINO-MICRO board is self-powered by the miniUSB if it is connected to a USB hub of a computer.

To enter bootloader mode – either power the board hold button BUT, press RST, release BUT; or hold BUT, power the board, release BUT

On powering the board the AND starting bootloader mode LED1 and LED2 should start blinking consecutively.

3.4 Prebuilt software

The board comes with prebuilt PINGUINO bootloader. To enter this mode hold BUT and press RST then release BUT. Or connect the USB when BUT is pressed and then release BUT.

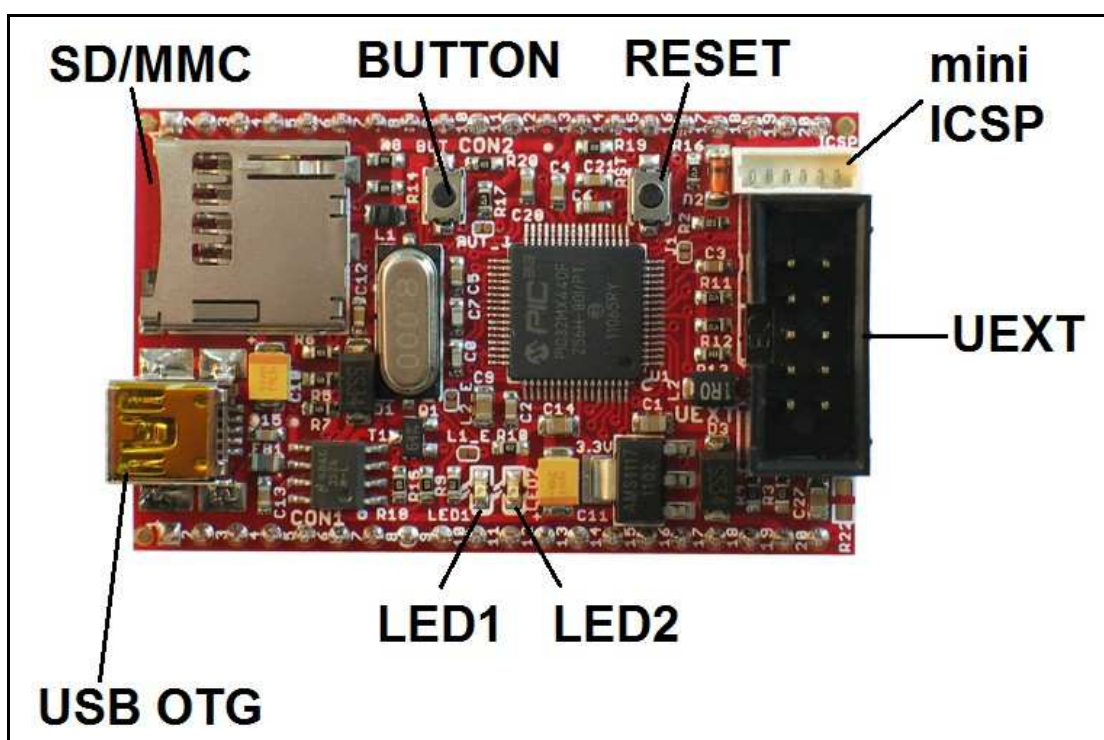
CHAPTER 4

PIC32-PINGUINO-MICRO BOARD DESCRIPTION

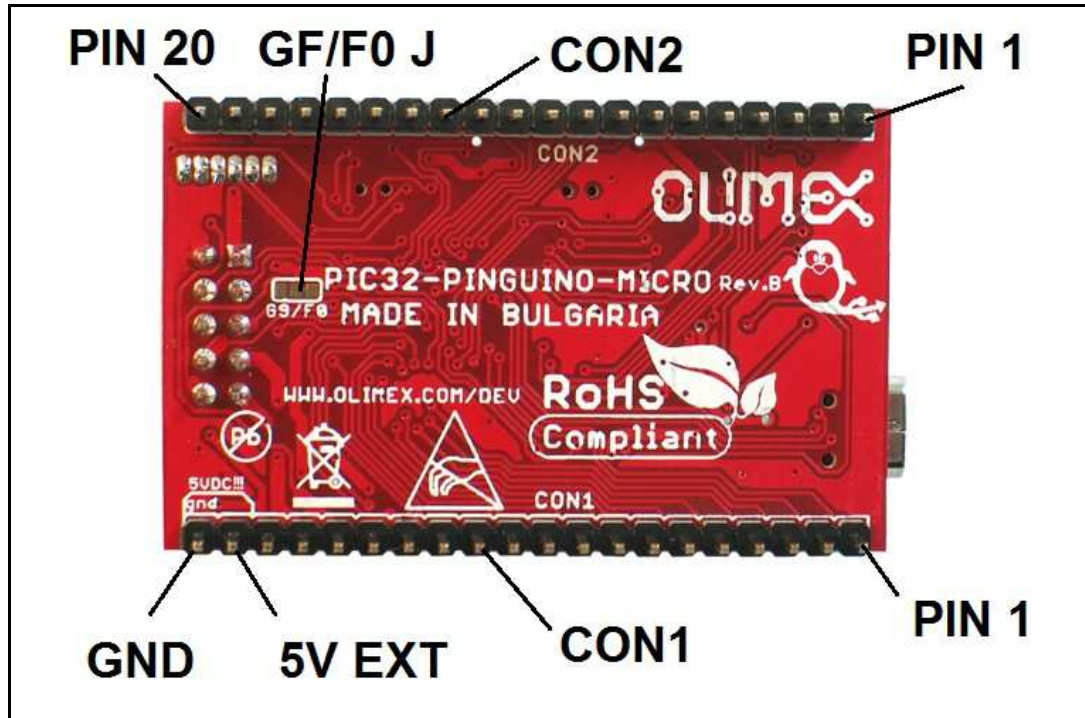
4. Introduction to the chapter

Here you get acquainted with the main parts of the board. Note the names used on the board differ from the names used to describe them. For the actual names check the PIC32-PINGUINO-MICRO board itself.

4.1 Layout (top view)



4.2 Layout (bottom view)



CHAPTER 5

THE PIC32MX440F256H MICROCONTROLLER

5. Introduction to the chapter

In this chapter is located the information about the heart of PIC32-PINGUINO-MICRO – its microcontroller. The information is a modified version of the datasheet provided by its manufacturers.

5.1 The microcontroller

High-Performance 32-bit RISC CPU:

- MIPS32® M4K® 32-bit core with 5-stage pipeline
- 80 MHz maximum frequency
- 1.56 DMIPS/MHz (Dhrystone 2.1) performance at 0 wait state Flash access
- Single-cycle multiply and high-performance divide unit
- MIPS16e® mode for up to 40% smaller code size
- Two sets of 32 core register files (32-bit) to reduce interrupt latency
- Prefetch Cache module to speed execution from Flash

Microcontroller Features:

- Operating temperature range of -40°C to +105°C
- Operating voltage range of 2.3V to 3.6V
- 256K Flash memory (plus an additional 12 KB of boot Flash)
- 32K SRAM memory
- Pin-compatible with most PIC24/dsPIC® DSC devices
- Multiple power management modes
- Multiple interrupt vectors with individually programmable priority
- Fail-Safe Clock Monitor Mode
- Configurable Watchdog Timer with on-chip Low-Power RC Oscillator for reliable operation

Peripheral Features:

- Atomic SET, CLEAR and INVERT operation on select peripheral registers
- Up to 4-channel hardware DMA with automatic data size detection
- USB 2.0-compliant full-speed device and On-The-Go (OTG) controller
- USB has a dedicated DMA channel
- 3 MHz to 25 MHz crystal oscillator

- Internal 8 MHz and 32 kHz oscillators
- Separate PLLs for CPU and USB clocks
- Two I2C™ modules
- Two UART modules with:
 - RS-232, RS-485 and LIN support
 - IrDA® with on-chip hardware encoder and decoder
- Up to two SPI modules
- Parallel Master and Slave Port (PMP/PSP) with 8-bit and 16-bit data and up to 16 address lines
- Hardware Real-Time Clock and Calendar (RTCC)
- Five 16-bit Timers/Counters (two 16-bit pairs combine to create two 32-bit timers)
- Five capture inputs
- Five compare/PWM outputs
- Five external interrupt pins
- High-Speed I/O pins capable of toggling at up to 80 MHz
- High-current sink/source (18 mA/18 mA) on all I/O pins
- Configurable open-drain output on digital I/O pins

Debug Features:

- Two programming and debugging Interfaces:
 - 2-wire interface with unintrusive access and real-time data exchange with application
 - 4-wire MIPS® standard enhanced JTAG interface
- Unintrusive hardware-based instruction trace
- IEEE Standard 1149.2-compatible (JTAG) boundary scan

Analog Features:

- Up to 16-channel 10-bit Analog-to-Digital Converter:
 - 1000 ksps conversion rate
 - Conversion available during Sleep, Idle
- Two Analog Comparators

For comprehensive information on the microcontroller visit the Microchip's web page for a datasheet.

At the moment of writing the microcontroller datasheet can be found at the following link:

<http://ww1.microchip.com/downloads/en/DeviceDoc/61143H.pdf>

CHAPTER 6

CONTROL CIRCUITY

6. Introduction to the chapter

Here you can find information about reset circuit, power circuit and quartz crystal locations.

6.1 Reset

PIC32-PINGUINO-MICRO reset circuit includes D2 (1N4148), R16 (4.7k Ω), R2 (33 Ω), C21 (4.7nF), PIC32MX440F256H pin 7 (#MCLR) and a RESET button.

6.2 Clock

Quartz crystal Q1 8.000 MHz is connected to PIC32MX440F256H pin 39 (OSC1/CLKI/RC12) and pin 40 (OSC2/CLKO/RC15).

CHAPTER 7

HARDWARE

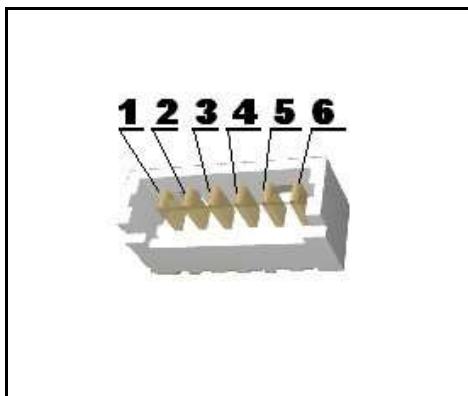
7. Introduction to the chapter

In this chapter are presented the connectors that can be found on the board all together with their pinout. Proto area is shown. Jumpers functions are described. Notes and info on specific peripherals are presented. Notes regarding the interfaces are given.

7.1 mini ICSP

The miniICSP connector provides option to reprogram the board if you do not wish to use Pinguino IDE.

Pin #	Signal Name
1	RESET
2	+3.3V
3	GND
4	PGED2
5	PGEC2
6	Not connected

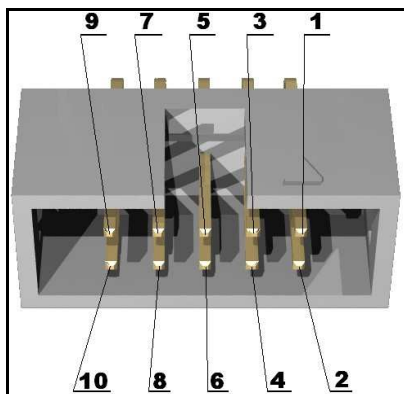


7.2 UEXT

PIC32-PINGUINO-MICRO board has UEXT connector and can interface Olimex's UEXT modules.

For more information on UEXT please visit:

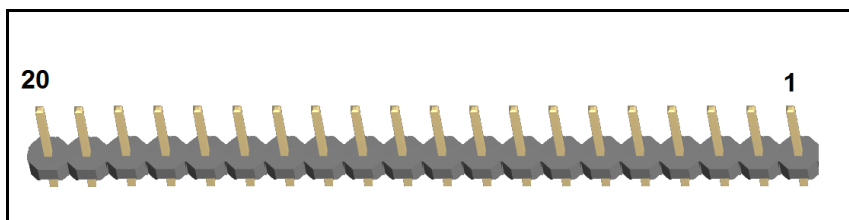
<http://www.olimex.com/dev/OTHER/UEXT.pdf>



Pin	1	2	3	4	5	6	7	8	9	10
Signal	+3.3V	GND	TXD	RXD	SCL	SDA	MISO	MOSI	SCK	#CS

7.3 CON1

For your convenience the pins are numbered individually on the top of the board. Please take extra care about the numbering.

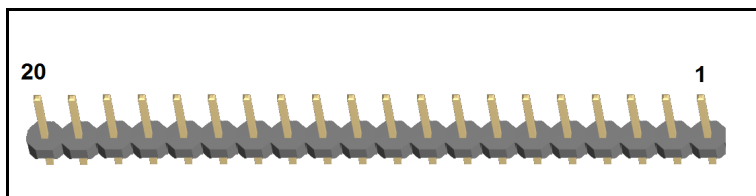


Pin #	Signal Name
1	SOSCO/T1CK/CN0/RC14
2	SOSCI/CN/RC13
3	RE0/PMD0
4	RE1/PMD1
5	RE2/PMD2
6	RE3/PMD3
7	RE4/PMD4
8	RE5/PMD5

9	RE6/PMD6
10	RE7/PMD7
11	RF1
12	RG9/#SS2/PMA2/CN11
13	IC4/PMCS1/PMA14/INT4/RD11
14	RTCC/IC1/INT1/RD8
15	CN16/RD7
16	PGED1/AN0/VREF+/CVREF+/PMA6/CN2/RB0
17	AGND
18	AREF (via J1) Pin 16
19	+5V_EXT
20	GND

7.4 CON2

For your convenience the pins are numbered individually on the top of the board. Please take extra care about the numbering.

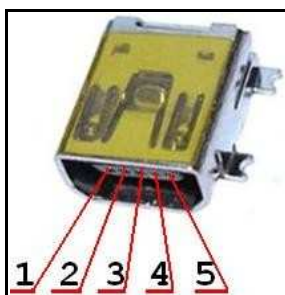


Pin #	Signal Name
1	CN15/RD6
2	PMRD/CN14/RD5
3	OC5/IC5/PMWR/CN13/RD4
4	U1TX/OC4/RD3
5	U1RX/OC3/RD2
6	#U1RTS/OC2/RD1
7	AN14/#U2RTS/PMALH/PMA1/RB14
8	TDI/AN12/PMA11/RB12

9	TD0/AN11/PMA12/RB11
10	TMS/AN10/CVREFOUT/PMA13/RB10
11	AN9/C2OUT/PMA7/RB9
12	AN8/#U2CTS/C1OUT/RB8
13	AN4/C1IN- /CN6/RB4
14	AN3/C2IN+ /CN5/RB3
15	AN2/C2IN- /CN4/RB2
16	PGEC1/AN1/VREF- /CVREF- /CN3/RB1
17	+3.3V
18	GND
19	+5V_VBUS
20	GND

7.5 USB-OTG (On-The-Go)

Pin #	Signal Name
1	+5V
2	D-
3	D+
4	USB_ID
5	GND

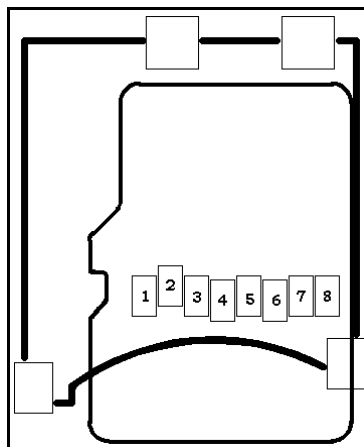


7.6 SD/MMC Micro card slot

A micro SD card connector is available on PIC32-PINGUINO-MICRO board, this connector is with push-push action to insert and remove the card.

Pin #	Signal Name
1	DAT2

2	DAT3/CS
3	CMD/DI
4	VDD
5	CLK/SCLK
6	VSS
7	DAT0/D0
8	DAT1



7.7 Jumper description

L1_E



This jumper, when closed, enables LED1.
Default state is closed.

L2_E



This jumper, when closed, enables LED2.
Default state is closed.

BUT_J



This jumper, when closed, enables BUT.
Default state is closed.

J1



When open analog voltage 3,3V reference (high).

Default state is open.

G9/F0



This jumper, when in position G9 – connects UEXT pin 10 (UEXT_#CS) to CON1-12 and pin 8 (RG9/#SS2/PMA2/CN11) and when in position F0 – connects UEXT pin 10 (UEXT_#CS) to PIC32MX440F256H pin 58 (RF0).

Default state is in position F0.

7.8 Pinguino IDE PIN TABLE

Pinguino PIN	PIC32 PORT/PIN	Pinguino PIN	PIC32 PORT/PIN
0	B1/15	17	D7/55
1	B2/14	18	D8/42
2	B3/13	19	D11/45
3	B4/12	20	G9/8
4	B8/21	21	F1/59
5	B9/22	22	E7/3
6	B10/23	23	E6/2
7	B11/24	24	E5/1
8	B12/27	25	E4/64
9	B14/29	26	E3/63

10	D1/49	27	E2/62
11	D2/50	28	E1/61
12	D3/51	29	E0/60
13	D4/52	30	C13/47
14	D5/53	31	C14/48
15	D6/54	32	G6/4
16	B0/16		-

7.9 Additional hardware components

The components below are mounted on the PIC32-PINGUINO-MICRO board but are not discussed above. They are listed here for completeness:

General purpose button

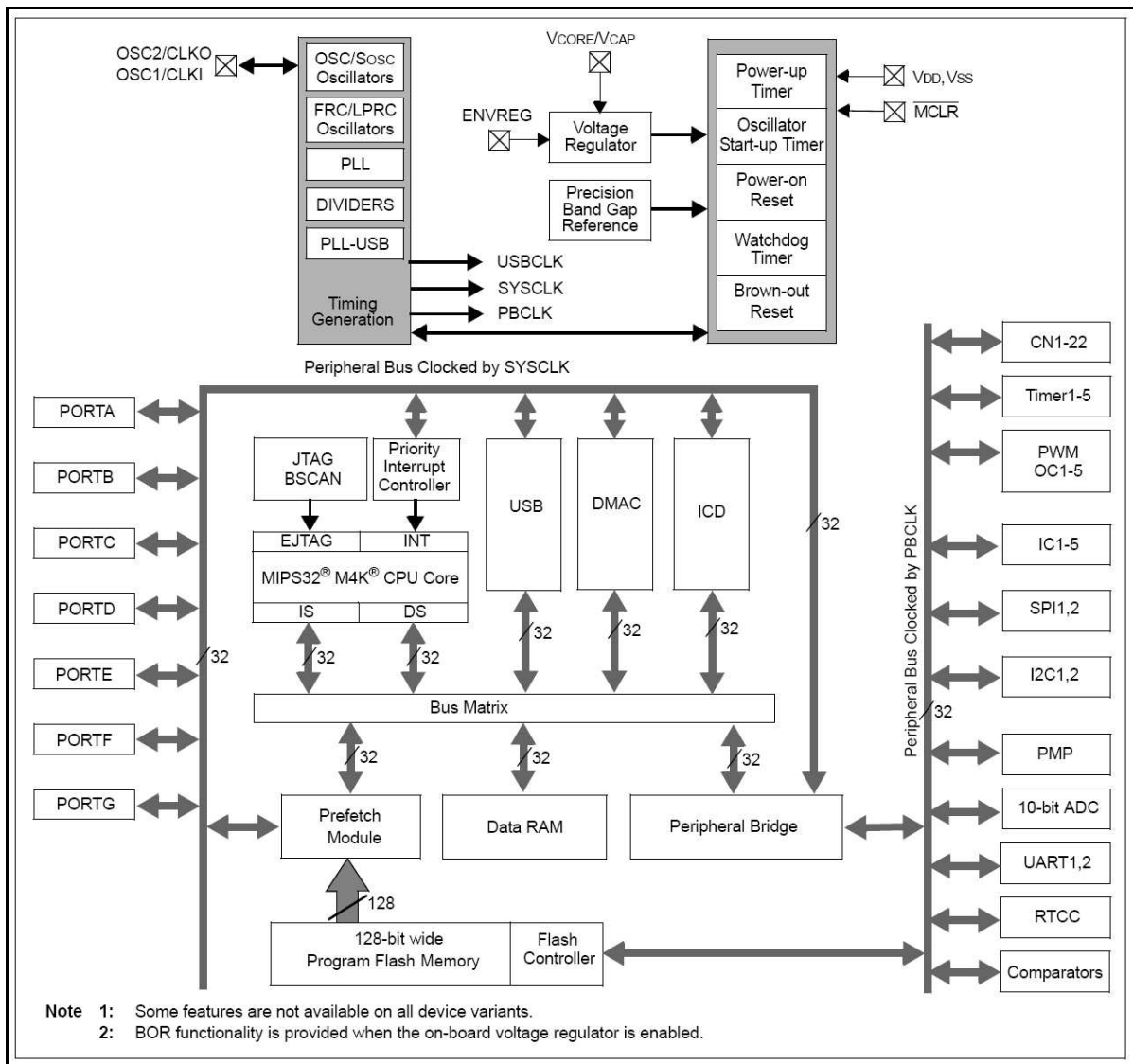
2 LEDs

CHAPTER 8

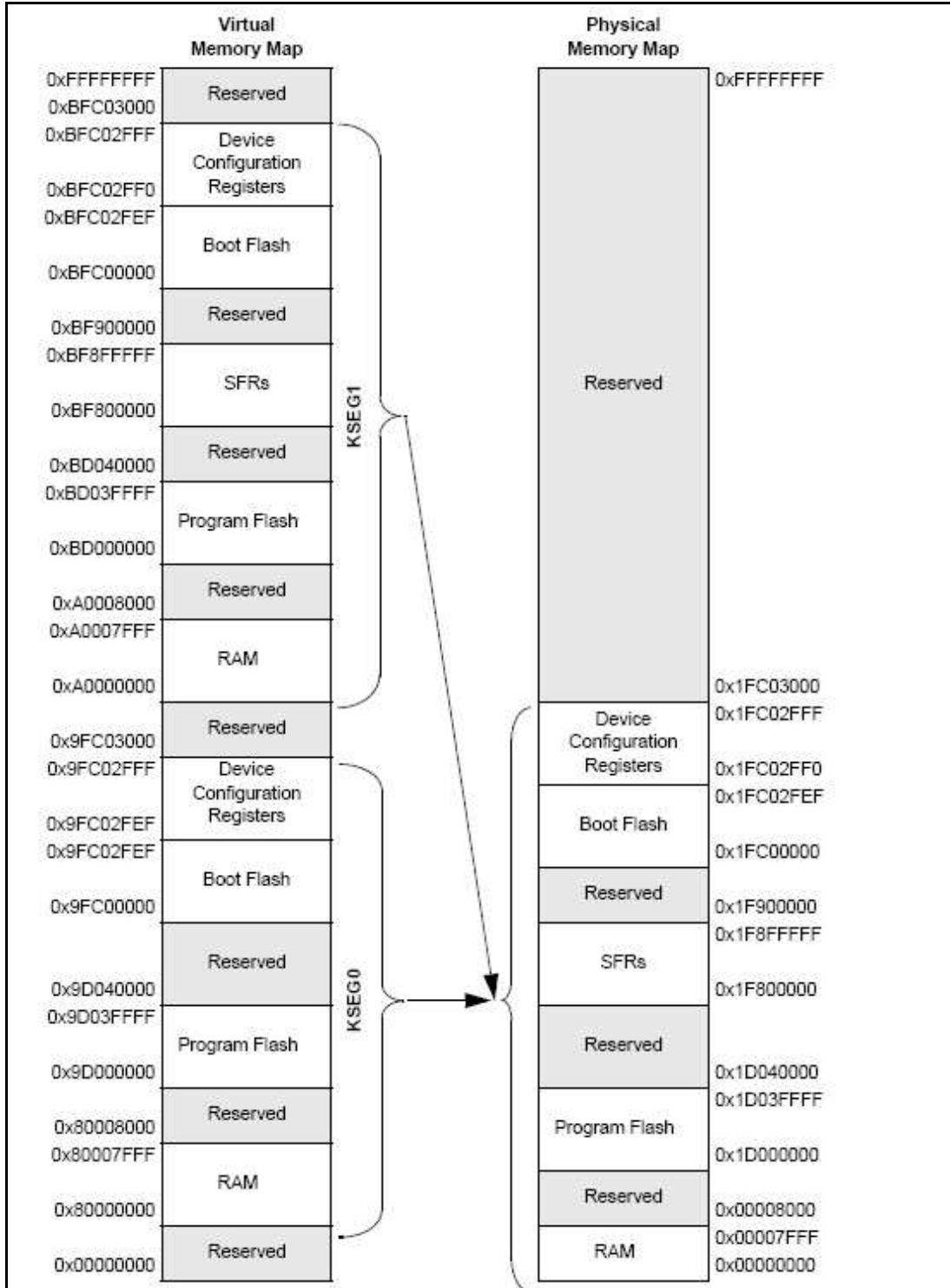
MEMORY AND BLOCK DIAGRAM

8. Introduction to the chapter

Below is located the block diagram of the processor and on the next page you can find a memory map for this family of processors. It is strongly recommended to refer to the original datasheet released by Microchip for ones of higher quality.



8.1 Memory organization



CHAPTER 9

SCHEMATICS

9. Introduction to the chapter

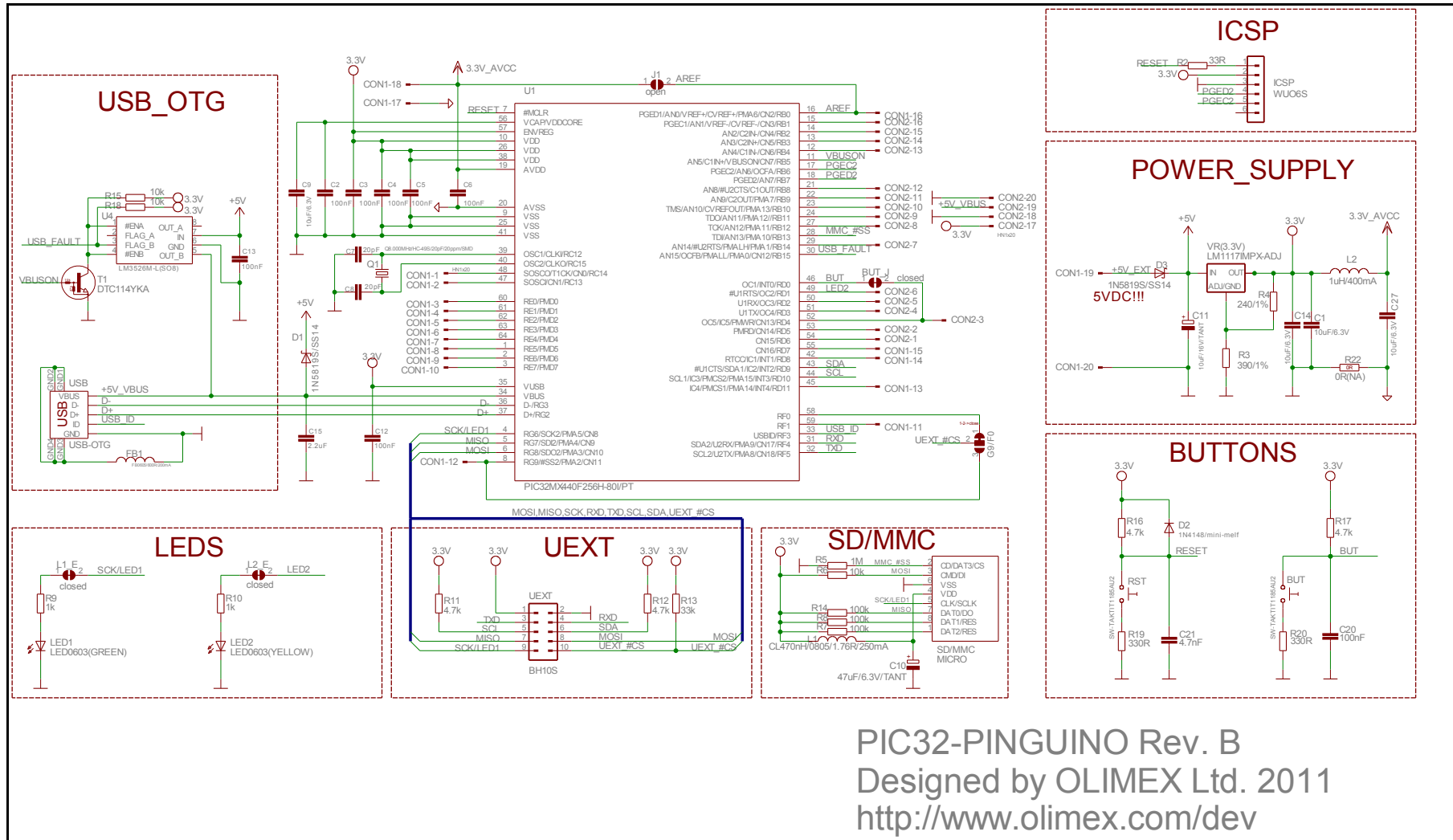
In this chapter are located the schematics describing logically and physically PIC32-PINGUINO-MICRO.

9.1 Eagle schematic

PIC32-PINGUINO-MICRO schematic is visible for reference here. You can also find them on the web page for PIC32-PINGUINO-MICRO at our site: <http://www.olimex.com/dev/PIC32-PINGUINO-MICRO.html>. They are located in HARDWARE section.

Note that PIC32-PINGUINO-MICRO schematic is released under [Creative Commons Attribution-Share Alike 3.0 United States License](#) and the whole project is released under

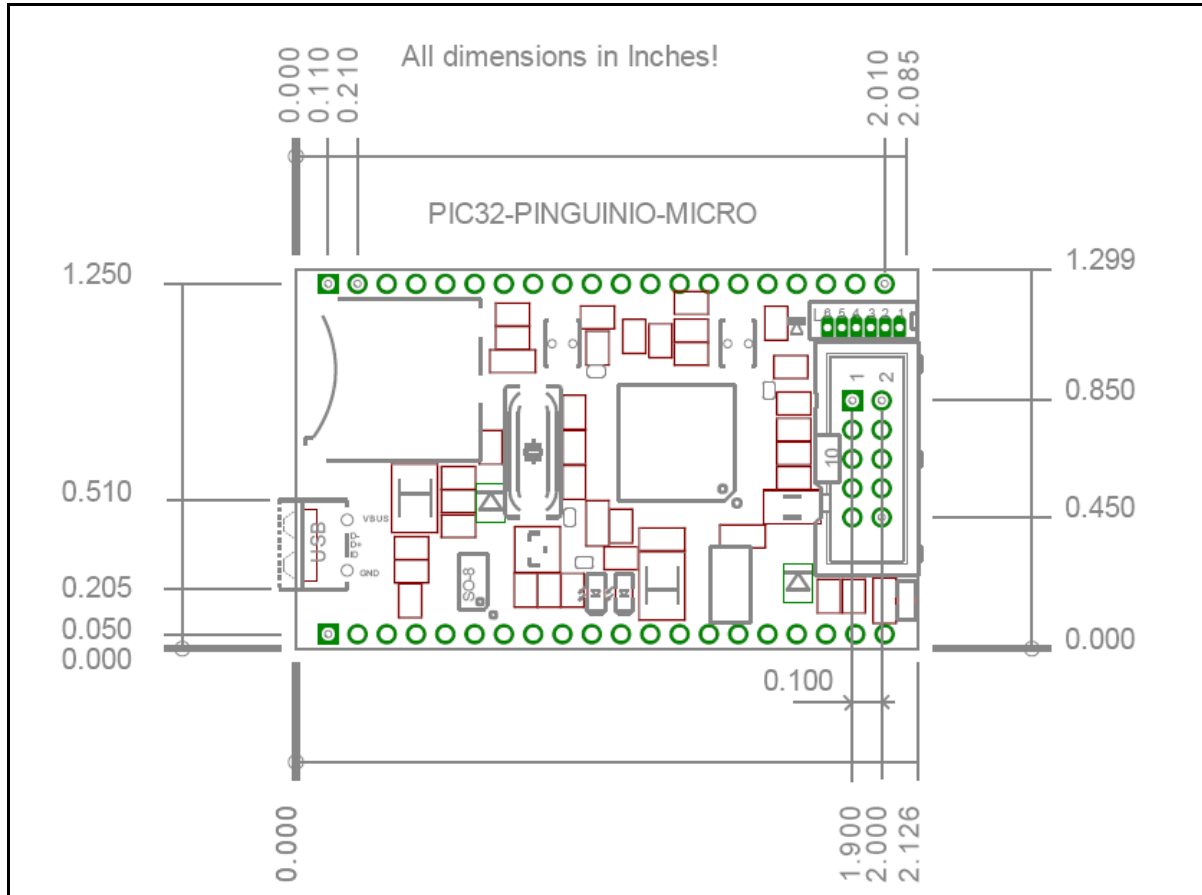
The EAGLE schematic is situated on the next page for quicker reference.



PIC32-PINGUINO Rev. B
 Designed by OLIMEX Ltd. 2011
<http://www.olimex.com/dev>

9.2 Physical dimensions

Note that all dimensions are in inches.



CHAPTER 10

REVISION HISTORY

10. Introduction to the chapter

In this chapter you will find the current and the previous version of the document you are reading. Also the web-page for your device is listed. Be sure to check it after a purchase for the latest available updates and examples.

10.1 Document revision

Revision	Changes	Modified Pages
Initial	Initial Creation	All
A	Remade bigger part of the design; Added PinguinoIDE pinout; fixed various spelling errors	All

10.2 Web page of your device

The web page you can visit for more info on your device is <http://www.olimex.com/dev/PIC32-PINGUINO-MICRO.html>. There you can find more info and some examples.

ORDER CODES:

PIC32-PINGUINO-MICRO - completely assembled and tested

PIC-KIT3 + PIC-ICSP – PIC programmer + adapter for different types of ICSP connectors

SHIELD-LOL – Duino compatible shield with a matrix of LEDs

SHIELD-EKG-EMG – Duino compatible shield for electrocardiography

How to order?

You can order to us directly or by any of our distributors.

Check our webpage <http://www.olimex.com/> for more info.