

# LPC-P1114 development board \_\_\_\_\_ Users Manual



All boards produced by Olimex are ROHS compliant

Revision B, November 2011  
Copyright(c) 2011, OLIMEX Ltd, All rights reserved

## INTRODUCTION

LPC-P1114 is development board with LPC1114 ARM Cortex-M0 based microcontrollers for embedded applications from NXP. LPC-P1114 featuring a high level of integration and low power consumption. This microcontroller supports various interfaces such as one Fast-mode Plus I2C-bus interface, one RS-485/EIA-485 UART, two SSP interfaces, four general purpose timers, a 10-bit ADC. On the board are available UEXT, Debug Interface, user buttons and leds.

## BOARD FEATURES

- MCU: **LPC1114** Cortex-M0, up to 50 Mhz, 32 kB Flash, 8kB SRAM, UART RS-485, two SSP, I<sup>2</sup>C/Fast+, ADC
- Power supply circuit
- Power-on led
- USB connector only for power supply, not USB functionality
- Debug interface – SWD (Serial Wire Debug)
- UEXT connector
- Eight user leds
- Two user buttons
- Reset button
- Prototype area
- FR-4, 1.5 mm, soldermask, component print
- Dimensions: 80x50mm (3.15 x 1.97")

## ELECTROSTATIC WARNING

The **LPC-P1114** board is shipped in protective anti-static packaging. The board must not be subject to high electrostatic potentials. General practice for working with static sensitive devices should be applied when working with this board.

## BOARD USE REQUIREMENTS

**Cables:** USB-Mini cable is need as this board used power supply from the USB. You will also need USA A-B cable for connecting the programmers to the PC.

**Hardware:** To program this board you need JTAG and software which supports Cortex M0. The programmers Olimex offers are [ARM-JTAG-EW](#) which works with IAR for ARM up to version 6.20; [ARM-USB-OCD](#), [ARM-USB-OCD-H](#), [ARM-USB-TINY](#) and [ARM-USB-TIBY-H](#) which works only with [ARM-JTAG-SWD](#) adapter and with Rowley CrossWorks.

**Software:** IAR for ARM up to version 6.20 and Rowley CrossWorks.

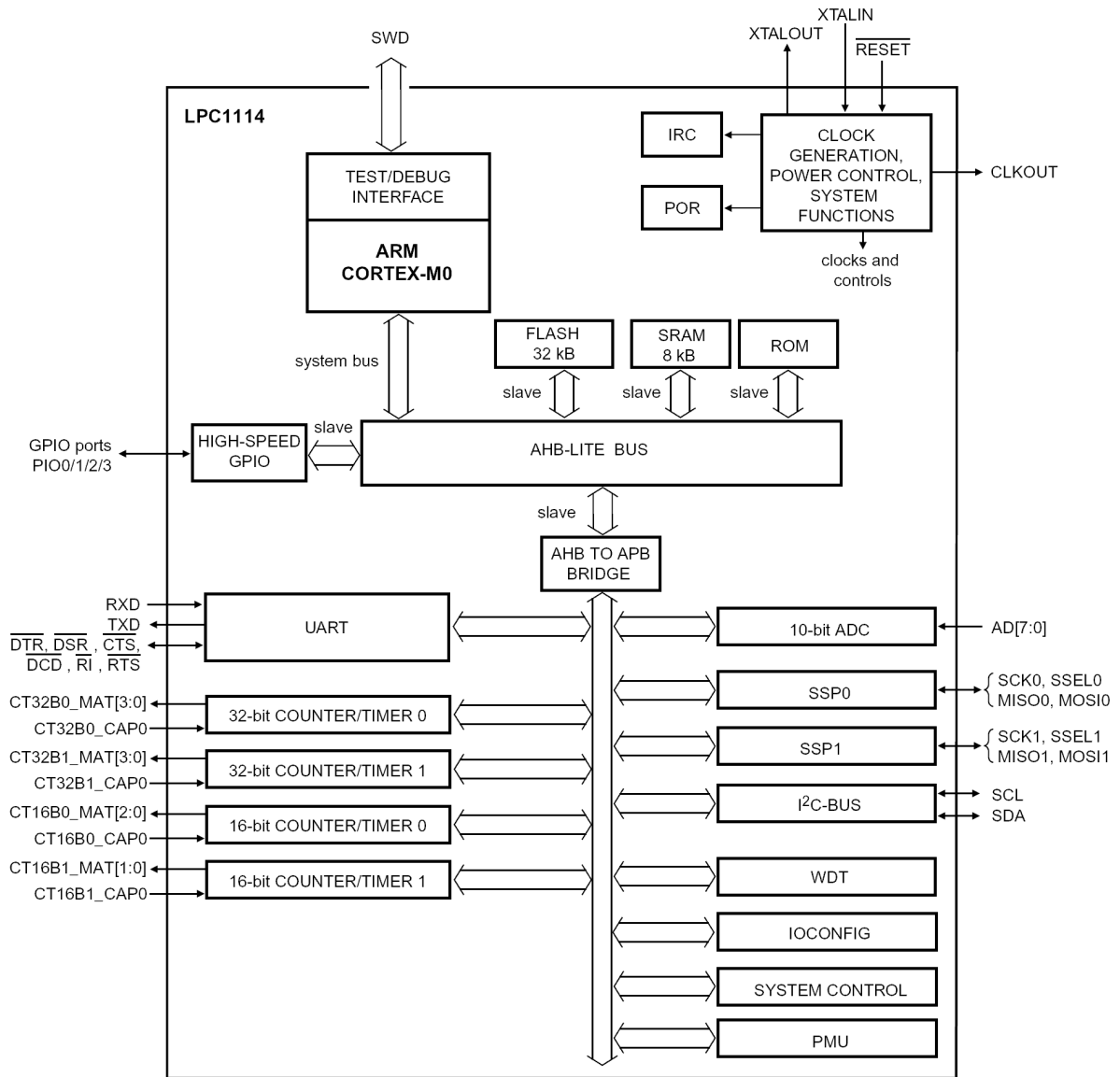
## PROCESSOR FEATURES

**LPC-P1114** board use ARM Cortex™-M0 microcontroller **LPC1114FBD48/301** from NXP Semiconductors with these features:

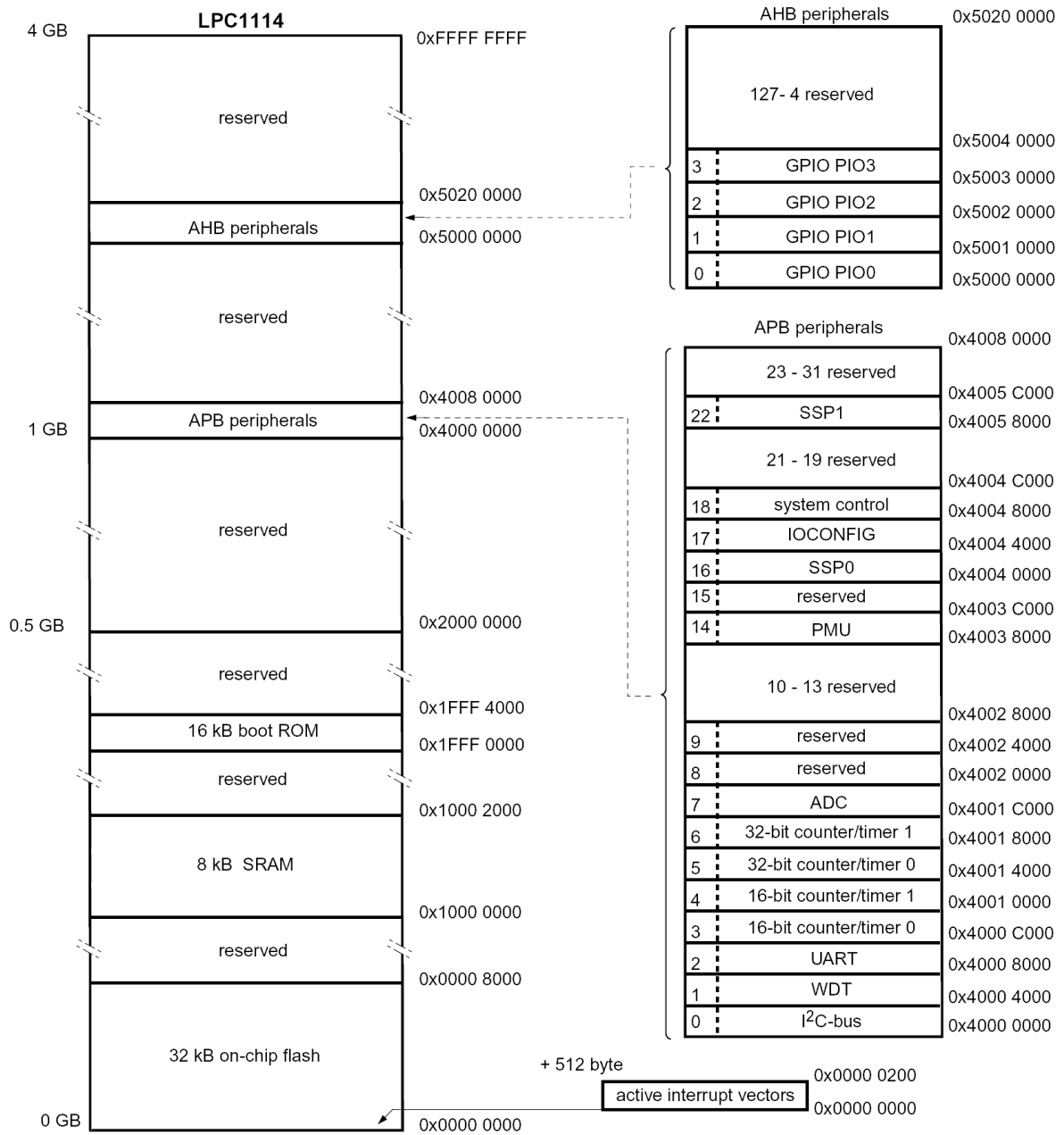
- ARM Cortex-M0 processor, running at frequencies of up to 50 MHz.
- ARM Cortex-M0 built-in Nested Vectored Interrupt Controller (NVIC).
- 32 kB on-chip flash programming memory.
- 8 kB SRAM.
- In-System Programming (ISP) and In-Application Programming (IAP) via on-chip bootloader software.
- Serial interfaces:
  - UART with fractional baud rate generation, internal FIFO, and RS-485 support.
  - Two SSP controllers with FIFO and multi-protocol capabilities
  - I<sup>2</sup>C-bus interface supporting full I<sup>2</sup>C-bus specification and Fast-mode Plus with a data rate of 1 Mbit/s with multiple address recognition and monitor mode.
- Other peripherals:
  - 42 General Purpose I/O (GPIO) pins with configurable pull-up/pull-down resistors.
  - Four general purpose timers/counters with a total of four capture inputs and 13 match outputs.
  - Programmable WatchDog Timer (WDT).
  - System tick timer.

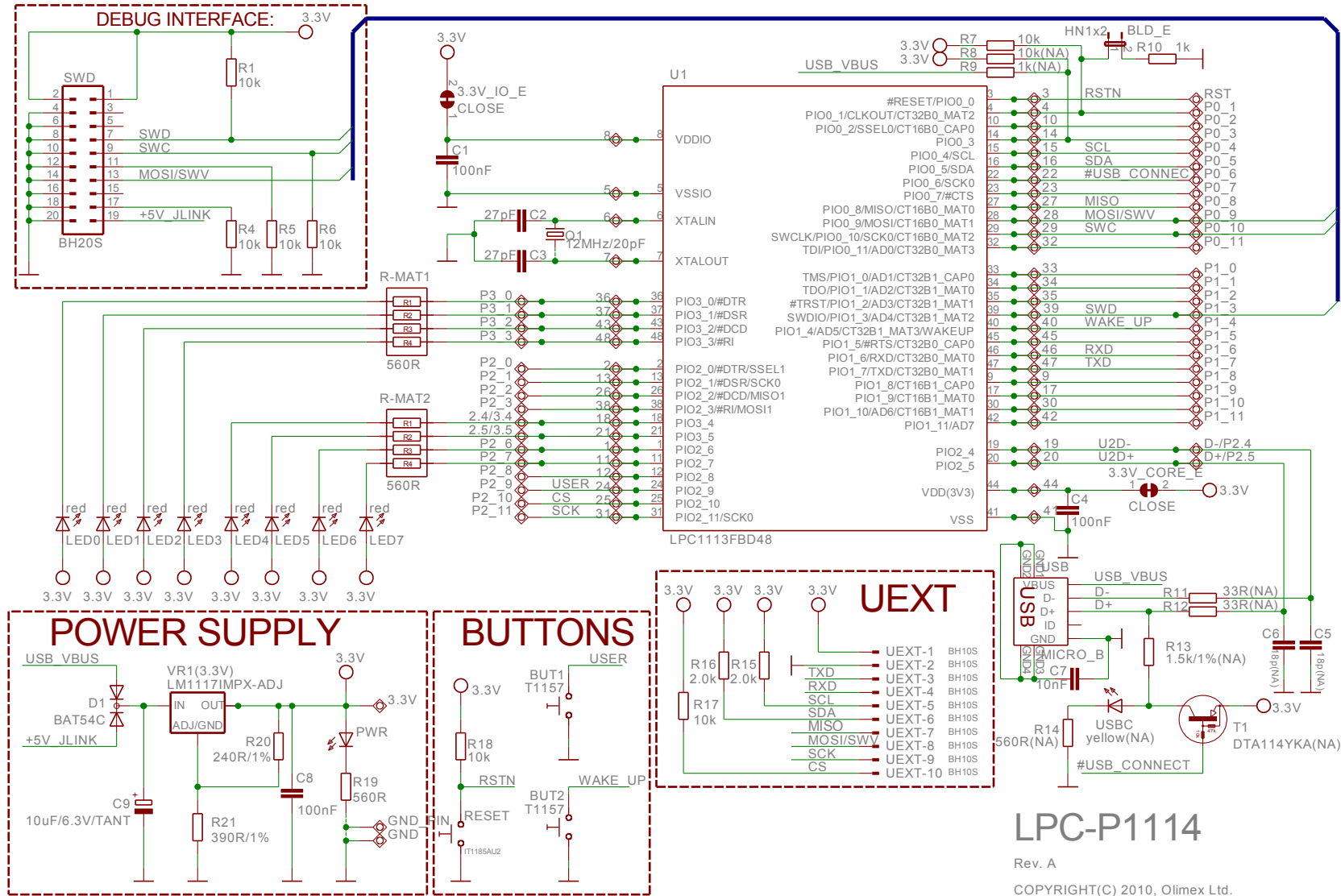
- Serial Wire Debug.
- High-current output driver (20 mA) on one pin.
- High-current sink drivers (20 mA) on two I<sup>2</sup>C-bus pins in Fast-mode Plus.
- Integrated PMU (Power Management Unit) to minimize power consumption during Sleep, Deep-sleep, and Deep power-down modes.
- Three reduced power modes: Sleep, Deep-sleep, and Deep power-down.
- Single 3.3 V power supply (2.0 V to 3.6 V).
- 10-bit ADC with input multiplexing among 8 pins.
- GPIO pins can be used as edge and level sensitive interrupt sources.
- Clock output function with divider that can reflect the system oscillator clock, IRC clock, CPU clock, and the Watchdog clock
- Processor wake-up from Deep-sleep mode via a dedicated start logic using up to 13 of the functional pins.
- Brownout detect with four separate thresholds for interrupt and one threshold for forced reset.
- Power-On Reset (POR).
- Crystal oscillator with an operating range of 1 MHz to 25 MHz.
- 12 MHz internal RC oscillator trimmed to 1 % accuracy that can optionally be used as a system clock.
- PLL allows CPU operation up to the maximum CPU rate without the need for a high-frequency crystal. May be run from the main oscillator, the internal RC oscillator, or the watchdog oscillator.

# BLOCK DIAGRAM



# MEMORY MAP





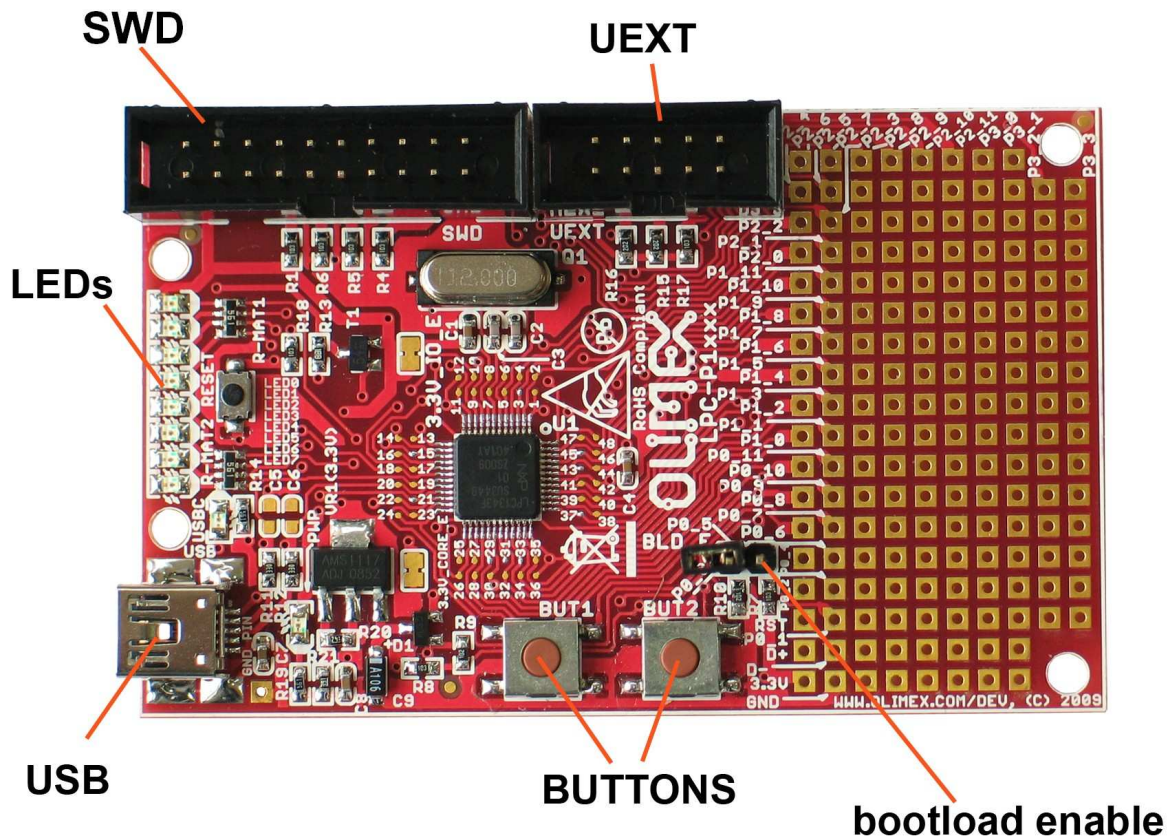
## LPC-P1114

Rev. A

COPYRIGHT(C) 2010, Olimex Ltd.

<http://www.olimex.com/dev>

## BOARD LAYOUT



## POWER SUPPLY CIRCUIT

LPC-P1114 is power supplied +5V via USB, or via JTAG.

## RESET CIRCUIT

LPC-P1114 reset circuit includes LPC1114 pin 3 (#RESET/PIO0\_0), R18 (10k) and RESET button.

## CLOCK CIRCUIT

Quartz crystal 12 MHz is connected to LPC1114 pin 6 (XTALIN) and pin 7 (XTALOUT).



## JUMPER DESCRIPTION

### **3.3V\_CORE\_E**



This jumper, when closed, enables microcontroller 3.3V power supply.  
Default state is closed.

### **3.3V(I/O)\_E**



This jumper, when closed, supplies 3.3 V voltage to LPC1114 pin 8 (VDDIO).  
Default state is closed.

## INPUT/OUTPUT

**LED0 (red)** connected via R-MAT1 to LPC1114 pin 36 (PIO3\_0/#DTR).

**LED1 (red)** connected via R-MAT1 to LPC1114 pin 37 (PIO3\_1/#DSR).

**LED2 (red)** connected via R-MAT1 to LPC1114 pin 43 (PIO3\_2/#DCD).

**LED3 (red)** connected via R-MAT1 to LPC1114 pin 48 (PIO3\_3/#RI).

**LED4 (red)** connected via R-MAT2 to LPC1114 pin 18 (PIO3\_4).

**LED5 (red)** connected via R-MAT2 to LPC1114 pin 21 (PIO3\_5).

**LED6 (red)** connected via R-MAT2 to LPC1114 pin 1 (PIO2\_6).

**LED7 (red)** connected via R-MAT2 to LPC1114 pin 11 (PIO2\_7).

**Power-on LED (red)** – this LED shows that +3.3V is applied to the board.

**User button** with name **BUT1** (USER) connected to **LPC1114** pin 24 (PIO2\_9).

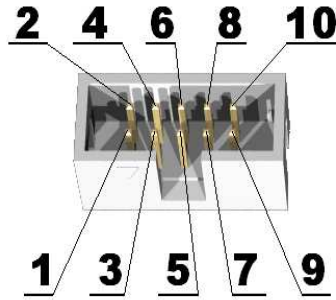
**User button** with name **BUT2** connected to **LPC1114** pin 40 (WAKEUP).

**Reset button** with name **RESET** connected to LPC1114 pin 3 (#RESET/PIO0\_0).

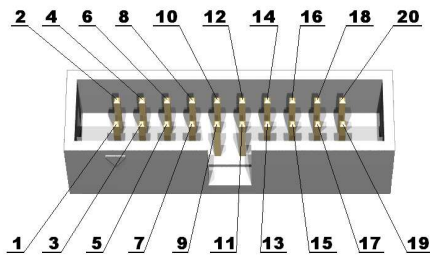
## EXTERNAL CONNECTORS DESCRIPTION

### UEXT

Pin #	Signal Name
1	3.3V
2	GND
3	TXD
4	RXD
5	SCL
6	SDA
7	MISO
8	MOSI
9	SCK
10	CS



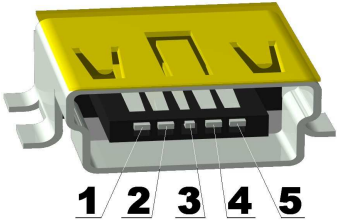
### SWD



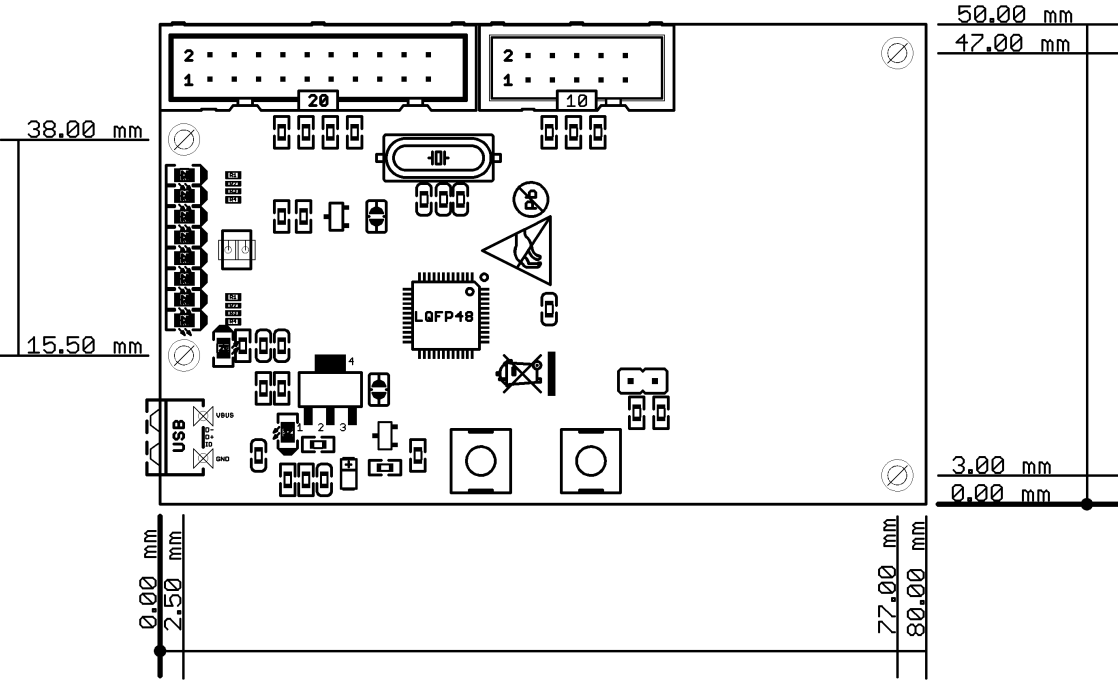
Pin #	Signal Name	Pin #	Signal Name
1	3.3V	2	3.3V
3	NC	4	GND
5	NC	6	GND
7	SWD	8	GND
9	SWC	10	GND
11	pull-down	12	GND
13	MOSI	14	GND
15	NC	16	GND
17	pull-down	18	GND
19	+5V_JLINK	20	GND

**USB connector**

Pin #	Signal Name
1	USB_VBUS
2	NC
3	NC
4	NC
5	GND



# MECHANICAL DIMENSIONS



## AVAILABLE DEMO SOFTWARE

- [LPC1114 demo examples](#) project for EW-ARM

## **ORDER CODE**

**LPC-P1114** - assembled and tested board

### **How to order?**

You can order to us directly or by any of our distributors.  
Check our web [www.olimex.com/dev](http://www.olimex.com/dev) for more info.

## **Revision history**

Board's Revision: Rev. A, May 2010

Manual's Revision: Rev. B, November 2011

- Added Programmers and Software in "BOARD USE REQUIREMENTS" and in "BOARD LAYOUT" the name of connector named "JTAG" is changed to "SWD"

## **Disclaimer**

© 2011 Olimex Ltd. All rights reserved. Olimex®, logo and combinations thereof, are registered trademarks of Olimex Ltd. Other terms and product names may be trademarks of others.

The information in this document is provided in connection with Olimex products. No license, express or implied or otherwise, to any intellectual property right is granted by this document or in connection with the sale of Olimex products.

Neither the whole nor any part of the information contained in or the product described in this document may be adapted or reproduced in any material from except with the prior written permission of the copyright holder.

The product described in this document is subject to continuous development and improvements. All particulars of the product and its use contained in this document are given by OLIMEX in good faith. However all warranties implied or expressed including but not limited to implied warranties of merchantability or fitness for purpose are excluded.

This document is intended only to assist the reader in the use of the product. OLIMEX Ltd. shall not be liable for any loss or damage arising from the use of any information in this document or any error or omission in such information or any incorrect use of the product.