

LPC-P1227 development board **USER'S MANUAL**

Revision B, July 2013
Designed by OLIMEX Ltd, 2011



All boards produced by Olimex LTD are ROHS compliant

Disclaimer:

© 2013 Olimex Ltd. Olimex®, logo and combinations thereof, are registered trademarks of Olimex Ltd. Other terms and product names may be trademarks of others.

The information in this document is provided in connection with Olimex products. No license, express or implied or otherwise, to any intellectual property right is granted by this document or in connection with the sale of Olimex products.

This hardware design by Olimex LTD is copyrighted and should NOT be copied.

The software is released under GPL.

It is possible that the pictures in this manual differ from the latest revision of the board.

The product described in this document is subject to continuous development and improvements. All particulars of the product and its use contained in this document are given by OLIMEX in good faith. However all warranties implied or expressed including but not limited to implied warranties of merchantability or fitness for purpose are excluded. This document is intended only to assist the reader in the use of the product. OLIMEX Ltd. shall not be liable for any loss or damage arising from the use of any information in this document or any error or omission in such information or any incorrect use of the product.

This evaluation board/kit is intended for use for engineering development, demonstration, or evaluation purposes only and is not considered by OLIMEX to be a finished end-product fit for general consumer use. Persons handling the product must have electronics training and observe good engineering practice standards. As such, the goods being provided are not intended to be complete in terms of required design-, marketing-, and/or manufacturing-related protective considerations, including product safety and environmental measures typically found in end products that incorporate such semiconductor components or circuit boards.

Olimex currently deals with a variety of customers for products, and therefore our arrangement with the user is not exclusive. Olimex assumes no liability for applications assistance, customer product design, software performance, or infringement of patents or services described herein.

THERE IS NO WARRANTY FOR THE DESIGN MATERIALS AND THE COMPONENTS USED TO CREATE LPC-P1227. THEY ARE CONSIDERED SUITABLE ONLY FOR LPC-P1227.

**Thank you for purchasing LPC-P1227 development board assembled by
OLIMEX LTD**

Table of Contents

CHAPTER 1 OVERVIEW	5
1. Introduction to the chapter.....	5
1.1 Features.....	5
1.2 Organization.....	5
CHAPTER 2 SETTING UP THE LPC-P1227 BOARD	7
2. Introduction to the chapter.....	7
2.1 Electrostatic warning.....	7
2.2 Requirements.....	7
2.3 Powering the board.....	7
2.4 Prebuilt software.....	8
CHAPTER 3 LPC-P1227 BOARD DESCRIPTION	9
3. Introduction to the chapter.....	9
3.1 Layout (top view).....	9
CHAPTER 4 THE LPC1227FBD64 MICROCONTROLLER	10
4. Introduction to the chapter.....	10
4.1 The microcontroller.....	10
5. Introduction to the chapter.....	12
5.1 Reset.....	12
5.2 Clocks.....	12
CHAPTER 6 HARDWARE	13
6. Introduction to the chapter.....	13
6.1 PWR Connector.....	13
6.2 SWD1 connector.....	13
6.3 SWD2 header.....	14
6.4 UEXT.....	14
6.5 Pads on the proto area.....	16
6.6 RS232 Null-modem connector.....	17
6.7 Jumper description.....	17
6.8 LCD display.....	18
6.9 Additional hardware components.....	19
CHAPTER 7 MEMORY AND BLOCK DIAGRAM	20
7. Introduction to the chapter.....	20
7.1 Memory organization.....	21
CHAPTER 8 SCHEMATICS	22
8. Introduction to the chapter.....	22
8.1 Eagle schematic.....	22
8.2 Physical dimensions.....	24

CHAPTER 9 REVISION HISTORY.....25
9. Introduction to the chapter.....25
9.1 Document revision.....25
9.2 Web page of your device.....25

CHAPTER 1 OVERVIEW

1. Introduction to the chapter

Thank you for choosing the LPC-P1227 development board from Olimex! This document provides a User's Guide for the Olimex LPC-P1227 development board. As an overview, this chapter gives the scope of this document and lists the board's features. The document's organization is then detailed.

The LPC-P1227 development board enables code development of applications running on the LPC1227 Cortex-M0 microcontroller, manufactured by NXP Semiconductors.

1.1 Features

- MCU: LPC1227 Cortex-M0, up to 45Mhz, 128 kB Flash, 8kB SRAM, 2 UARTs , SPI, I2C, 10 bit ADC
- RS232
- Buzzer
- NOKIA 3310 LCD
- 12 MHz crystal resonator
- Power supply circuit
- Power-on LED
- Debug interface – SWD (Serial Wire Debug)
- UEXT connector
- Two user leds
- Three user buttons
- Reset button
- Prototype area
- FR-4, 1.5 mm, soldermask, component print
- Dimensions:80x50mm (3.15 x 1.97")

1.2 Organization

Each section in this document covers a separate topic, organized as follow:

- Chapter 1 is an overview of the board usage and features
 - Chapter 2 provides a guide for quickly setting up the board
 - Chapter 3 contains the general board diagram and layout
 - Chapter 4 describes the component that is the heart of the board: the LPC1227FBD64 microcontroller
 - Chapter 5 is an explanation of the control circuitry associated with the microcontroller to
-

reset. Also shows the clocks on the board

- Chapter 6 covers the connector pinout, peripherals and jumper description
- Chapter 7 shows the processor diagram and memory map
- Chapter 8 provides the schematics
- Chapter 9 contains the revision history

CHAPTER 2 SETTING UP THE LPC-P1227 BOARD

2. Introduction to the chapter

This section helps you set up the LPC-P1227 development board for the first time.

Please consider first the electrostatic warning to avoid damaging the board, then discover the hardware and software required to operate the board.

The procedure to power up the board is given, and a description of the default board behavior is detailed.

2.1 Electrostatic warning

LPC-P1227 is shipped in a protective anti-static package. The board must not be exposed to high electrostatic potentials. A grounding strap or similar protective device should be worn when handling the board. Avoid touching the component pins or any other metallic element.

2.2 Requirements

In order to set up and program the LPC-P1227, the following items are required:

- A source of power – the board can be powered through the PWR jack or through the SWD-1 (SWD-2) interface
- In order to program the board you will need a programmer that supports SWD (Serial Wire Debug) interface

Also, a host-based software toolchain is required in order to program/debug the LPC-P1227 board. There are also a number of ready IDEs available like IAR Embedded Workbench, Rowley CrossWorks, Code Composer Studio, etc.

The only low cost Olimex option at the time writing this guide is available if you use Rowley's Crossworks IDE. You can get any of our ARM-USB debuggers + ARM-JTAG-SWD adapter. As of moment of writing this guide OpenOCD 0.5.0 doesn't support SWD flashing.

2.3 Powering the board

- Provide between 5V and 9V to the board's PWR jack
- OR
- Connect your SWD debugger

2.4 Prebuilt software

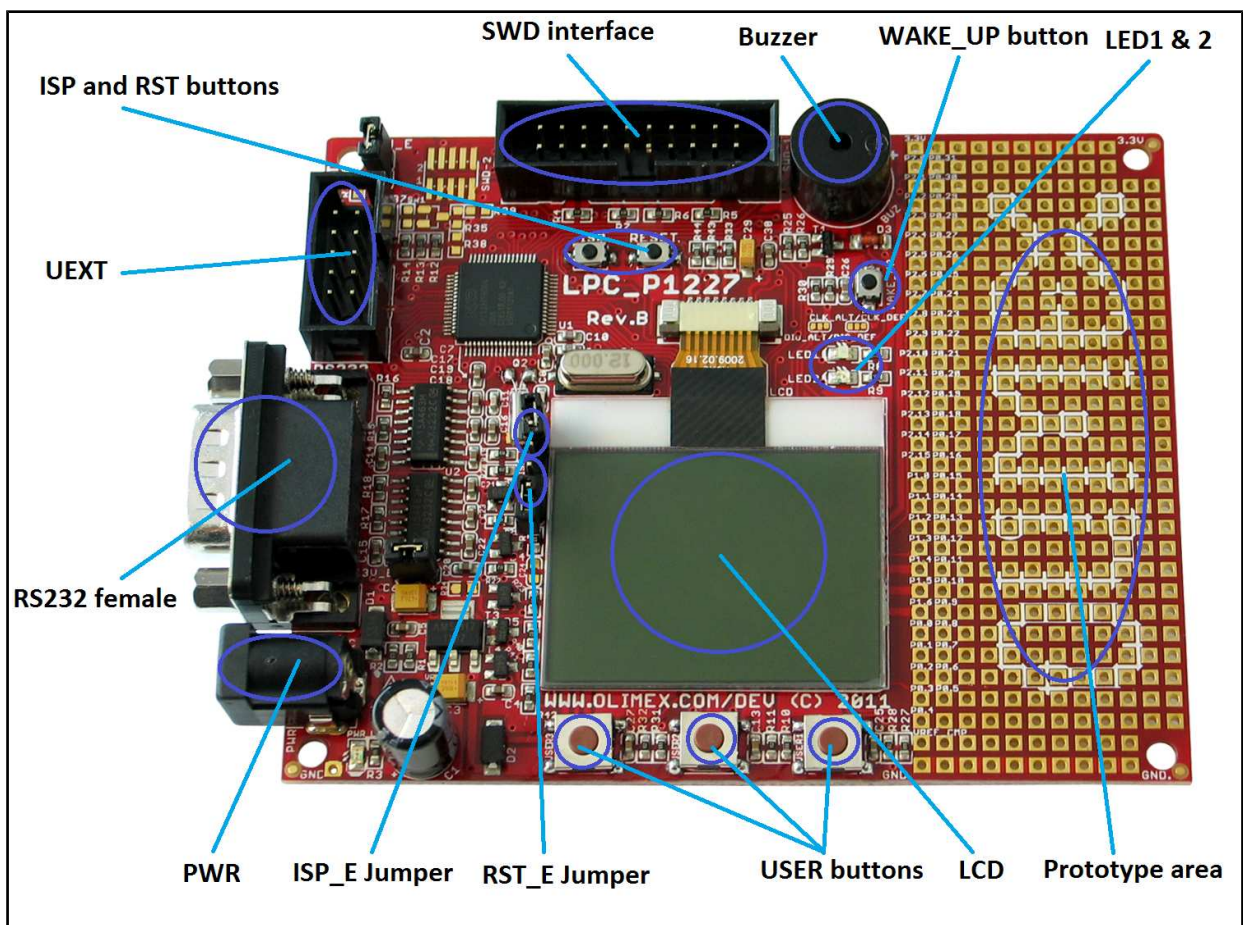
On powering the board the PWR LED should turn on. LED1 and LED2 should start blinking alternatively. The LCD display shows 6 lines of text. You can connect the board to a PC via RS232 Null-modem interface. Then start your favorite terminal program at 115200, 8-N-1 and reset the board. A line with the statuses of 4 buttons (USER3, USER2, USER1, WAKE_UP) and ISP_E jumper appears. Press the buttons to see their state changing or change the jumper position. Pressing escape will disconnect the RS232.

CHAPTER 3 LPC-P1227 BOARD DESCRIPTION

3. Introduction to the chapter

Here you get acquainted with the main parts of the board. Note the names used on the board differ from the names used to describe them. For the actual names check the LPC-P1227 board itself.

3.1 Layout (top view)



CHAPTER 4 THE LPC1227FBD64 MICROCONTROLLER

4. Introduction to the chapter

In this chapter is located the information about the heart of LPC-P1227 – its microcontroller. The information is a modified version of the datasheet provided by its manufacturers.

4.1 The microcontroller

Main processors features:

- Processor core
 - × ARM Cortex-M0 processor, running at 45 MHz (one wait state from flash) or 30 MHz (zero wait states from flash). The LPC122x have a high score of over 45 in CoreMark CPU performance benchmark testing, equivalent to 1.51/MHz.
 - × ARM Cortex-M0 built-in Nested Vectored Interrupt Controller (NVIC).
 - × Serial Wire Debug (SWD).
 - × System tick timer.
- Memory
 - × 8 kB SRAM.
 - × 128 kB on-chip flash programming memory.
 - × In-System Programming (ISP) and In-Application Programming (IAP) via on-chip bootloader software.
 - × Includes ROM-based 32-bit integer division routines.
- Clock generation unit
 - × Crystal oscillator with an operating range of 1 MHz to 25 MHz.
 - × 12 MHz Internal RC (IRC) oscillator trimmed to 1 % accuracy that can optionally be used as a system clock.
 - × PLL allows CPU operation up to the maximum CPU rate without the need for a high-frequency crystal. May be run from the system oscillator or the internal RC oscillator.
 - × Clock output function with divider that can reflect the system oscillator clock, IRC clock, main clock, and Watchdog clock.
 - × Real-Time Clock (RTC).
- Digital peripherals
 - × Micro DMA controller with 21 channels.
 - × CRC engine.
 - × Two UARTs with fractional baud rate generation and internal FIFO. One UART with RS-485 and modem support and one standard UART with IrDA.
 - × SSP/SPI controller with FIFO and multi-protocol capabilities.
 - × I2C-bus interface supporting full I2 C-bus specification and Fast-mode Plus with a

- data rate of 1 Mbit/s with multiple address recognition and monitor mode. I2C-bus pins have programmable glitch filter.
- × 55 General Purpose I/O (GPIO) pins with programmable pull-up resistor, open-drain mode, programmable digital input glitch filter, and programmable input inverter.
 - × Programmable output drive on all GPIO pins. Four pins support high-current output drivers.
 - × All GPIO pins can be used as edge and level sensitive interrupt sources.
 - × Four general purpose counter/timers with four capture inputs and four match outputs (32-bit timers) or two capture inputs and two match outputs (16-bit timers).
 - × Windowed WatchDog Timer (WWDT); IEC-60335 Class B certified.
- Analog peripherals
 - × One 8-channel, 10-bit ADC.
 - × Two highly flexible analog comparators. Comparator outputs can be programmed to trigger a timer match signal or can be used to emulate 555 timer behavior.
 - Power
 - × Three reduced power modes: Sleep, Deep-sleep, and Deep power-down.
 - × Processor wake-up from Deep-sleep mode via start logic using 12 port pins.
 - × Processor wake-up from Deep-power down and Deep-sleep modes via the RTC.
 - × Brownout detect with three separate thresholds each for interrupt and forced reset.
 - × Power-On Reset (POR).
 - × Integrated PMU (Power Management Unit).
 - Unique device serial number for identification.
 - 3.3 V power supply

For comprehensive information on the microcontroller visit the NXP web page for a datasheet.

At the moment of writing the microcontroller datasheet can be found at the following link:

<http://ics.nxp.com/products/lpc1000/datasheet/lpc122x.pdf>

CHAPTER 5 CONTROL CIRCUITY

5. Introduction to the chapter

Here you can find information about reset circuit, power circuit and quartz crystal locations.

5.1 Reset

LPC-P1227 reset circuit includes R23 (10 K Ω), R24(330 Ω), LPC1227FB064 pin PIN40 (PIO0_13/RESET) and a RESET button.

5.2 Clocks

12 MHz quartz crystal Q1 is found at pins 1 and 2 of the processor.

Real time clock (RTC) Q2 is connected to pins 57 and 58 of the processor.

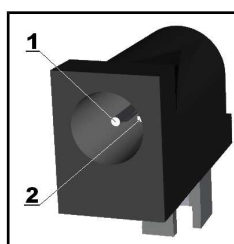
CHAPTER 6 HARDWARE

6. Introduction to the chapter

In this chapter are presented the connectors that can be found on the board all together with their pinout. Proto area is shown. Jumpers functions are described. Notes and info on specific peripherals are presented. Notes regarding the interfaces are given.

6.1 PWR Connector

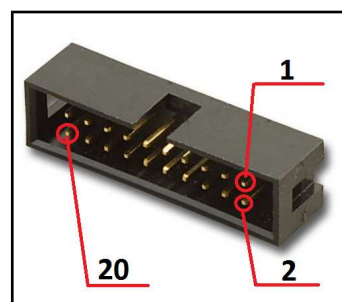
Pin #	Signal name
1	PWR
2	GND



6.2 SWD1 connector

The 20 pin SWD (Serial Wire Debug) connector provides the interface for SWD programming/debugging. The pinout can be found in the table below.

SWD1 connector			
Pin #	Signal name	Pin #	Signal name
1	VCC	11	GND
2	VCC	12	GND
3	Not connected	13	SWO
4	GND	14	GND
5	Not connected	15	RST
6	GND	16	GND
7	SWDIO	17	GND
8	GND	18	GND



9	SWCLK	19	+5V
10	GND	20	GND

6.3 SWD2 header

Note! It doesn't have connector mounted, if you wish to use 20 pin SWD debugger you have to mount connector yourself. Signal between the two SWD interfaces is controlled by CLK_ALT/CLK_DEF and DIO_ALT/DIO_DEF. If you set them in _ALT positions the SWD2 would be enabled.

SWD2 header			
Pin #	Signal name	Pin #	Signal name
1	+3.3V	6	SWO
2	SWDIO	7	Not connected
3	GND	8	Not connected
4	SWCLK	9	GND
5	GND	10	RST

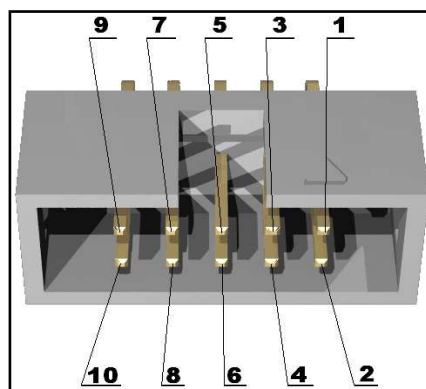
6.4 UEXT

LPC-P1227 board has UEXT connector and can interface Olimex's UEXT modules.

For more information on UEXT please visit:

<https://www.olimex.com/Products/Modules/>

Pin #	Signal name
1	+3.3V
2	GND
3	TXD1
4	RXD1
5	SCL



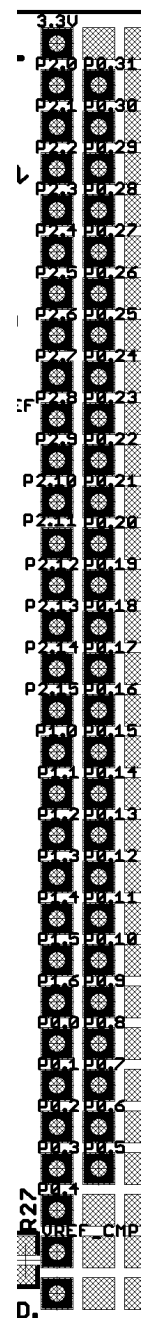
6	SDA
7	MISO
8	MOSI
9	SCK
10	SSEL

6.5 Pads on the proto area

For your convenience the pads are named individually near each of them. Please take extra care about the numbering but consider that there might be offset.

For full list of pin functions check on the processor data sheet.

Pad name	Signal	Pad name	Signal
3.3V	3.3V row of pads	3.3V	3.3V row of pads
P2.0	PI02_0	P0.31	PI00_31
P2.1	PI02_1	P0.30	PI00_30
P2.2	PI02_2	P0.29	PI00_29
P2.3	PI02_3	P0.28	PI00_28
P2.4	PI02_4	P0.27	PI00_27
P2.5	PI02_5	P0.26	SWCLK_DEF, PI00_26
P2.6	PI02_6	P0.25	SWDIO_DEF, PI00_25
P2.7	PI02_7	P0.24	PI00_24
P2.8	PI02_8	P0.23	PI00_23
P2.9	PI02_9	P0.22	PI00_22
P2.10	USER3, PI02_10	P0.21	PI00_21
P2.11	USER2, PI02_11	P0.20	PI00_20
P2.12	USER1, PI02_12	P0.19	PI00_19
P2.13	#RES, PI02_13	P0.18	SWCLK_ALT, PI00_18
P2.14	#SS, PI02_14	P0.17	MOSI, PI00_17
P2.15	D/#C, PI02_15	P0.16	MISO, PI00_16
P1.0	PI01_0	P0.15	SSSL, PI00_15
P1.1	PI01_1	P0.14	SCK, PI00_14
P1.2	SWDIO_OUT, PI01_2	P0.13	RST, PI00_13
P1.3	WAKE_UP, PI01_3	P0.12	ISP_E, PI00_12
P1.4	PI01_4	P0.11	SDA, PI00_11
P1.5	PI01_5	P0.10	SCL, PI00_10



P1.6	BUZZER, PIO1_6	P0.09	TXD1, PIO0_9
P0.0	#RTS0, PIO0_0	P0.08	RXD1, PIO0_8
P0.1	RXD0, PIO0_1	P0.07	#CTS0, PIO0_7
P0.2	TXD0, PIO0_2	P0.06	#RI0, PIO0_6
P0.3	DTR0, PIO0_3	P0.05	#DCD0, PIO0_5
P0.4	#DSR0, PIO0_4	-	-
VREF CMP		-	-
GND	GND row of pads	GND	GND row of pads

6.6 RS232 Null-modem connector

Note that the RS232 connector on the board is MALE.

Pin #	Signal
1	DTE_CD
2	DTE_RD
3	DTE_TD
4	DTE_DTR
5	GND
6	DTE_DSR
7	DTE_RTS
8	DTE_CTS
9	DTE_RI

6.7 Jumper description

Note that the jumper configuration is also printed on the back of the board.

ISP_E



This jumper controls the possibility of the ISP mode via UART0 (RS232) supported by the processor. It should be moved together with RST_E.

Default state is open.

RST_E



When closed together with ISP_E enables ISP programming via UART0

Default state is open.

CLK_ALT/CLK_DEF and DIO_ALT/DIO_DEF



These jumpers should be moved together and control whether SWD-1 or SWD-2 interface is used for programming. When in position ALT – SWD-2 will be used.

Default positions are CLK_DEF and DIO_DEF.

MCU_E



If open disables the supply on the processor.

Default state is closed.



3.3V_E

If open disables the board's 3.3V power supply.

Default state is closed.

6.8 LCD display

Nokia 3310 LCD display 84x48 pixels (38x35 mm).

6.9 Additional hardware components

The components below are mounted on LPC-P1227 but are not discussed above. They are listed here for completeness:

Buzzer

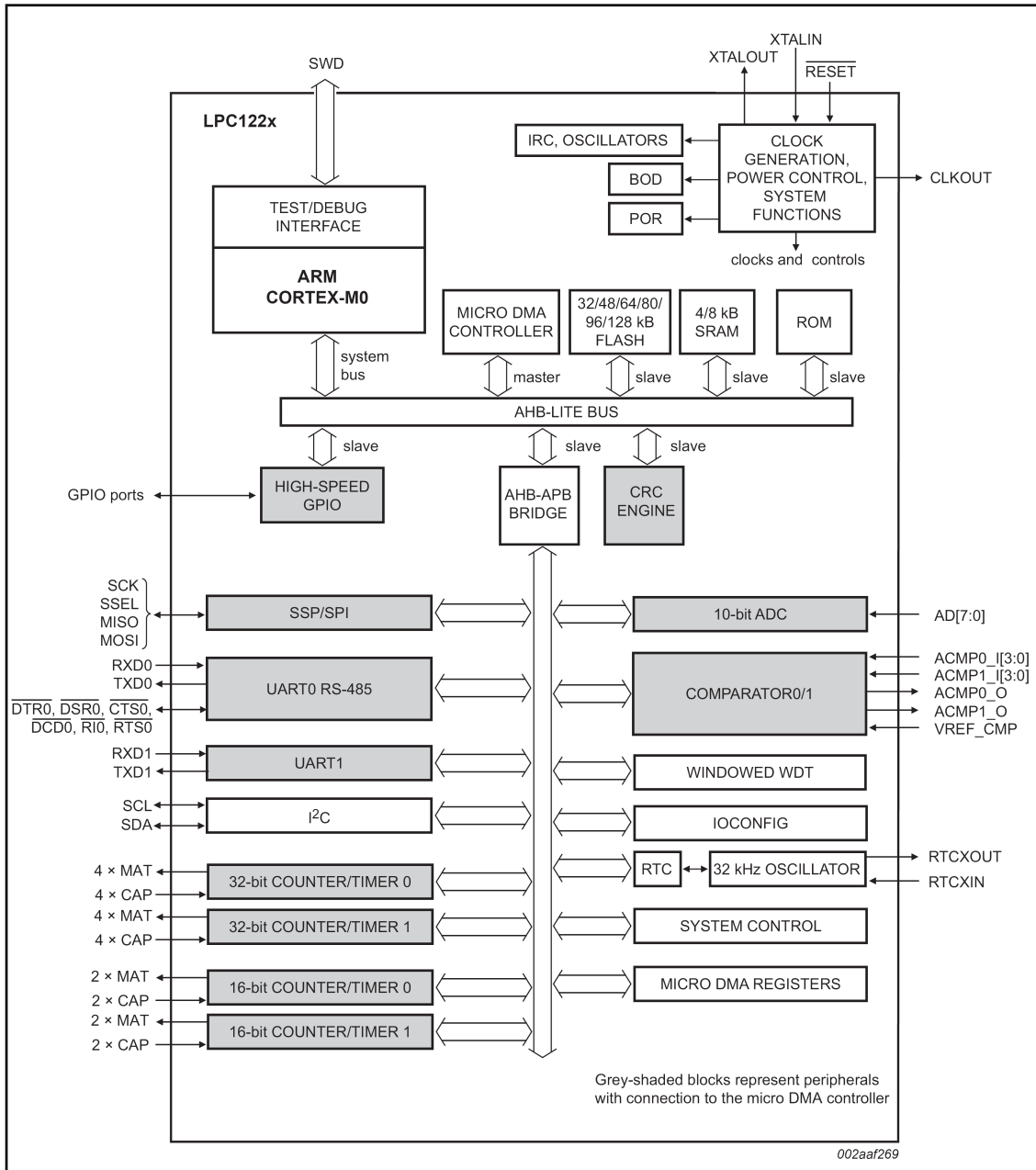
5 buttons + RST button

2LEDs + power-on LED

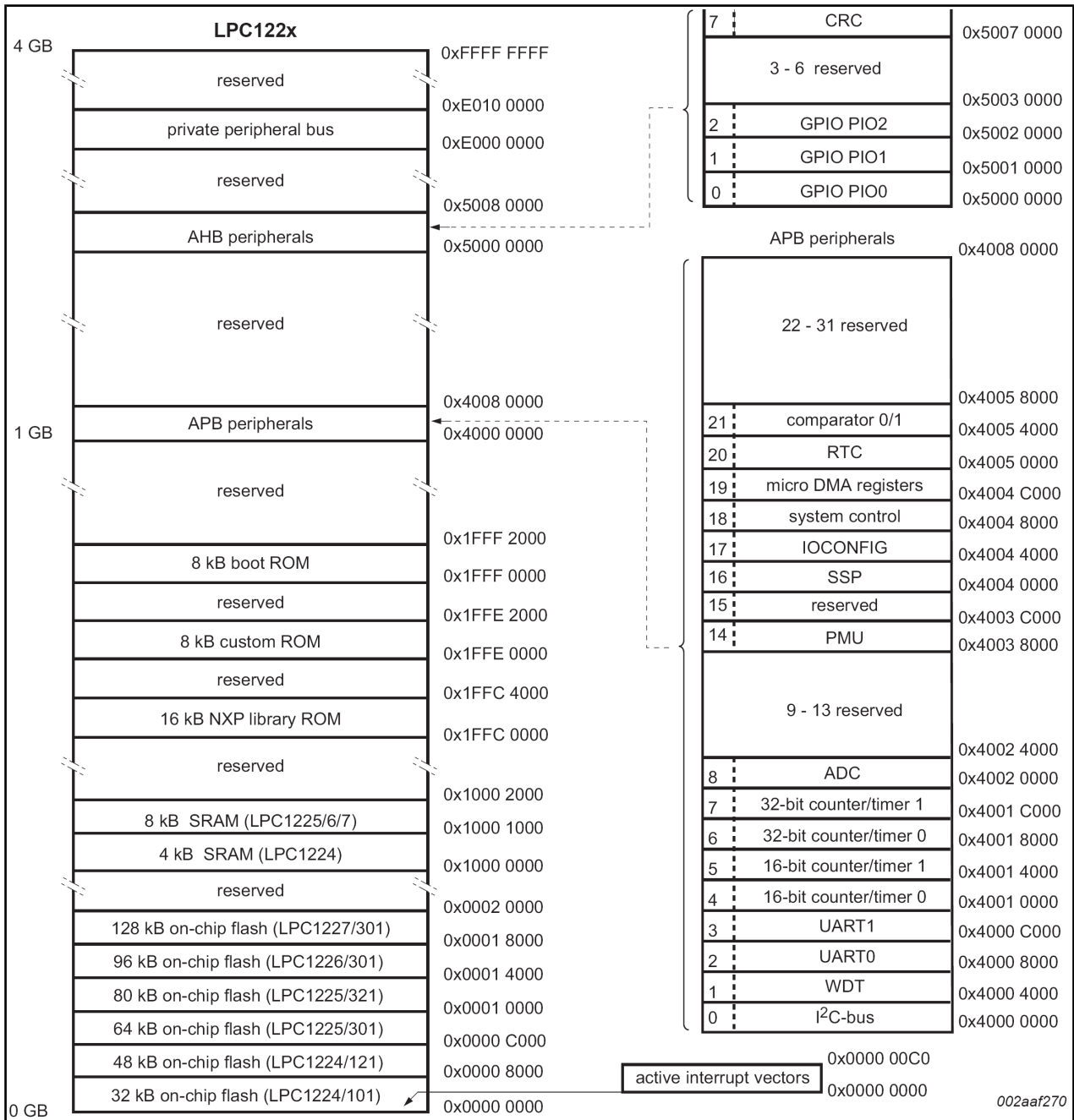
CHAPTER 7 MEMORY AND BLOCK DIAGRAM

7. Introduction to the chapter

Below is located the block diagram of the processor and on the next page you can find a memory map for this family of processors. It is strongly recommended to refer to the original datasheet released by NXP for ones of higher quality.



7.1 Memory organization



CHAPTER 8 SCHEMATICS

8. Introduction to the chapter

In this chapter are located the schematics describing logically and physically LPC-P1227.

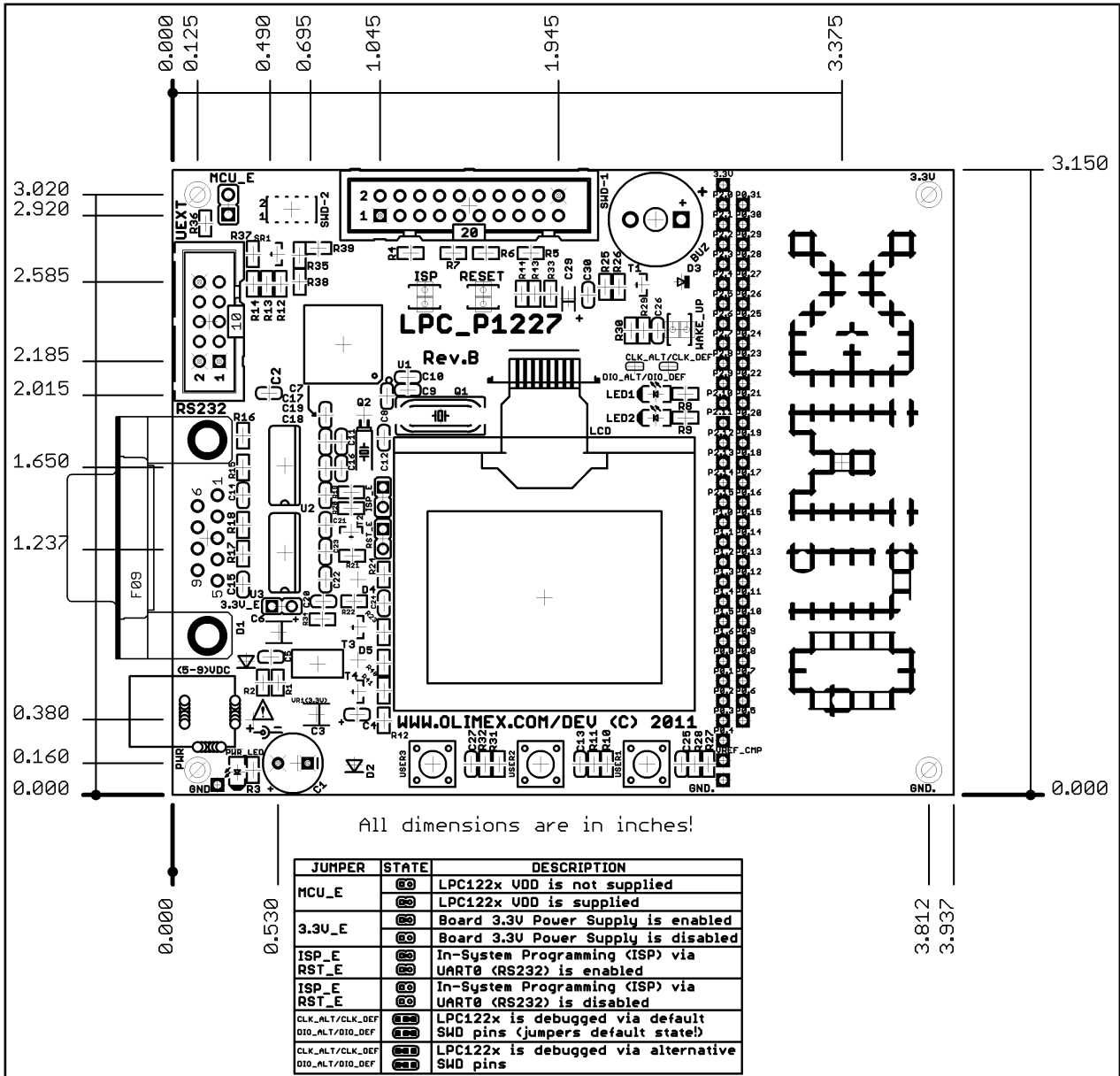
8.1 Eagle schematic

LPC-P1227 schematic is visible for reference here. You can also find them on the web page for LPC-P1227 at our site: <https://www.olimex.com/Products/ARM/NXP/LPC-P1227/>. They are located in HARDWARE section.

The EAGLE schematic is situated on the next page for quicker reference.

8.2 Physical dimensions

Note that all dimensions are in inches.



CHAPTER 9 REVISION HISTORY

9. Introduction to the chapter

In this chapter you will find the current and the previous version of the document you are reading. Also the web-page for your device is listed. Be sure to check it after a purchase for the latest available updates and examples.

9.1 Document revision

Revision	Changes	Modified pages
A	Initial creation	All
B	Various formatting changes; updated “Disclaimer”; removed wrong picture of UART connector; made clearer that the UART has a male connector	All

9.2 Web page of your device

The web page you can visit for more info on your device is <https://www.olimex.com/Products/ARM/NXP/LPC-P1227/>. There you can find more info and some examples.

ORDER CODES:

LPC-P1227 - completely assembled and tested

How to order?

You can order to us directly or by any of our distributors.

Check our webpage <https://www.olimex.com/> for more info.