

LPC-P2138 development board Users Manual



All boards produced by Olimex are ROHS compliant

Rev. B, July 2009
Copyright(c) 2010, OLIMEX Ltd, All rights reserved

INTRODUCTION

LPC-P2138 is prototype board which uses LPC2138 microcontroller. With its two buttons, potentiometer, variety of interfaces such as RS232, JTAG, I2C, Dallas; extension connector for some of the microcontroller's pins and prototype area, this board is suitable for different embedded systems applications.

BOARD FEATURES

- MCU: **LPC2138** 16/32 bit ARM7TDMI-S™ with 512K Bytes Program Flash, 32K Bytes RAM, RTC, 8x 10 bit ADC 2.44 uS, 2x UARTs, I2C, SPI, 2x 32bit TIMERS, 8x CCR, 6x PWM, WDT, 5V tolerant I/O, up to 60MHz operation
- standard JTAG connector with ARM 2x10 pin layout for programming/debugging with ARM-JTAG
- on board voltage regulator 3.3V with up to 800mA current
- single power supply: 6V AC or DC required
- power supply LED
- two status LED
- power supply filtering capacitor
- two channel RS232 interface
- Li-ion 3V battery holder
- RESET circuit with external control of Philips ISP utility via RS232
- RESET button
- two user buttons
- two RS232
- DBG jumper for JTAG enable
- BSL jumper for bootloader enable
- JRST jumper for enable/disable external RESET control by RS232
- 14.7456 Mhz crystal on socket, allow easy communication setup (4x PLL = 58,9824 Mhz CPU clock)
- 32768 Hz crystal and RTC backup battery connector
- extension headers for all uC ports
- PCB: FR-4, 1.5 mm (0,062"), soldermask, white silkscreen component print
- Dimensions: 114.81 x 79.86 mm (4.52x3.14")

ELECTROSTATIC WARNING

The LPC-P2138 board is shipped in protective anti-static packaging. The board must not be subject to high electrostatic potentials. General practice for working with static sensitive devices should be applied when working with this board.

BOARD USE REQUIREMENTS

Cables: Depends on the used programming/debugging tool. It could be 1.8 meter USB A-B cable to connect [ARM-JTAG-EW](#), [ARM-USB-OCD](#), [ARM-USB-TINY](#) and [ARM-USB-TINY-H](#) to USB host on PC or LPT cable in case of [ARM-JTAG](#) or other programming/debugging tools. You will need a serial cable if not for programming, than for configuring the board.

Hardware: Programmer/Debugger – some of Olimex programmers are applicable, for example [ARM-JTAG](#), [ARM-JTAG-EW](#), [ARM-USB-OCD](#), [ARM-USB-TINY](#), [ARM-USB-TINY-H](#) or other compatible programming/debugging tool.

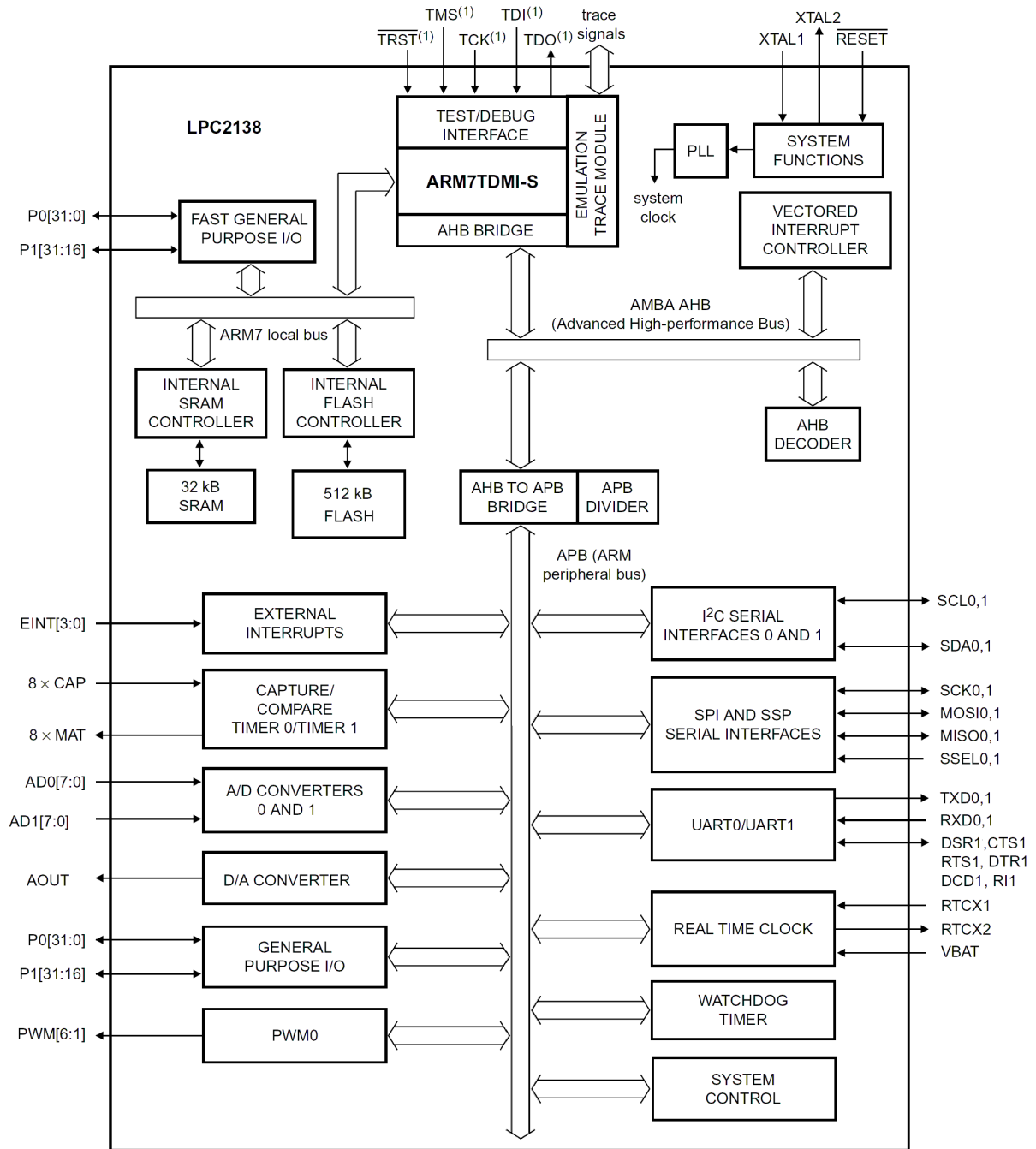
PROCESSOR FEATURES

LPC-P2138 board use LPC2138 microcontroller based on a 16/32-bit ARM7TDMI-S CPU with real-time emulation and embedded trace support, that combine the microcontroller with 512 kB of embedded high-speed flash memory. A 128-bit wide memory interface and a unique accelerator architecture enable 32-bit code execution at maximum clock rate. with these features:

- 32 kB of on-chip static RAM and 256/512 kB of on-chip flash program memory. 128-bit wide interface/accelerator enables high-speed 60 MHz operation.
- In-System Programming/In-Application Programming (ISP/IAP) via on-chip bootloader software. Single flash sector or full chip erase in 400 ms and programming of 256 B in 1 ms.
- EmbeddedICE RT and Embedded Trace interfaces offer real-time debugging with the on-chip RealMonitor software and high-speed tracing of instruction execution.
- Two 8-channel 10-bit ADCs provide a total of up to 16 analog inputs, with conversion times as low as 2.44 ms per channel.
- Single 10-bit DAC provides variable analog output.
- Two 32-bit timers/external event counters (with four capture and four compare channels each), PWM unit (six outputs) and watchdog.
- Low power Real-time clock with independent power and dedicated 32 kHz clock input.
- Multiple serial interfaces including two UARTs (16C550), two Fast I²C-bus (400 kbit/s), SPI and SSP with buffering and variable data length capabilities.
- Vectored interrupt controller with configurable priorities and vector addresses.
- Up to forty-seven 5 V tolerant general purpose I/O pins
- Up to nine edge or level sensitive external interrupt pins available.
- 60 MHz maximum CPU clock available from programmable on-chip PLL with settling time of 100 ms.

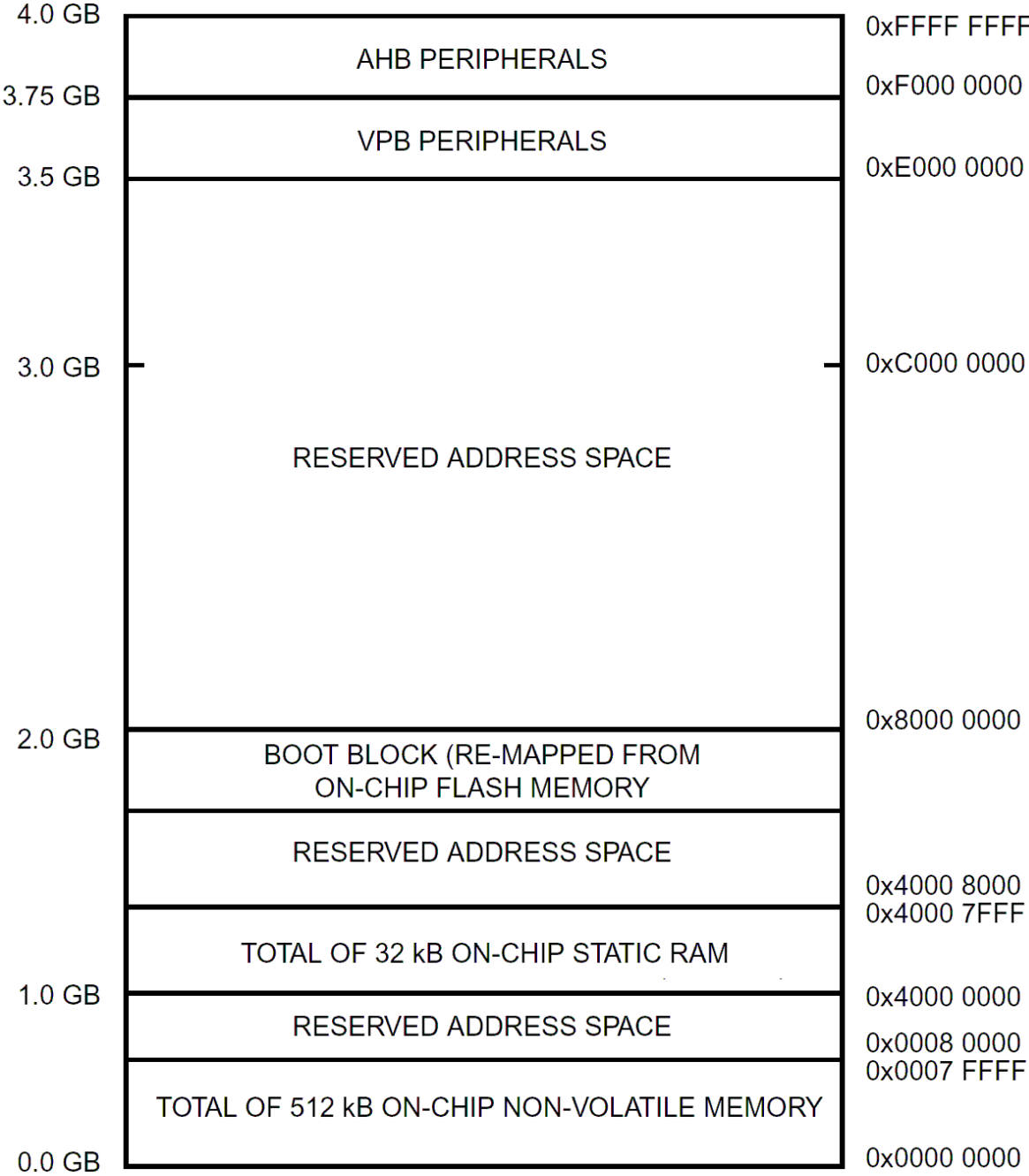
- On-chip integrated oscillator operates with external crystal in range of 1 MHz to 30 MHz and with external oscillator up to 50 MHz.
- Power saving modes include Idle and Power-down.
- Individual enable/disable of peripheral functions as well as peripheral clock scaling down for additional power optimization.
- Processor wake-up from Power-down mode via external interrupt or BOD.
- Single power supply chip with POR and BOD circuits:
 - CPU operating voltage range of 3.0 V to 3.6 V ($3.3 \text{ V} \pm 10 \%$) with 5 V tolerant I/O pads.

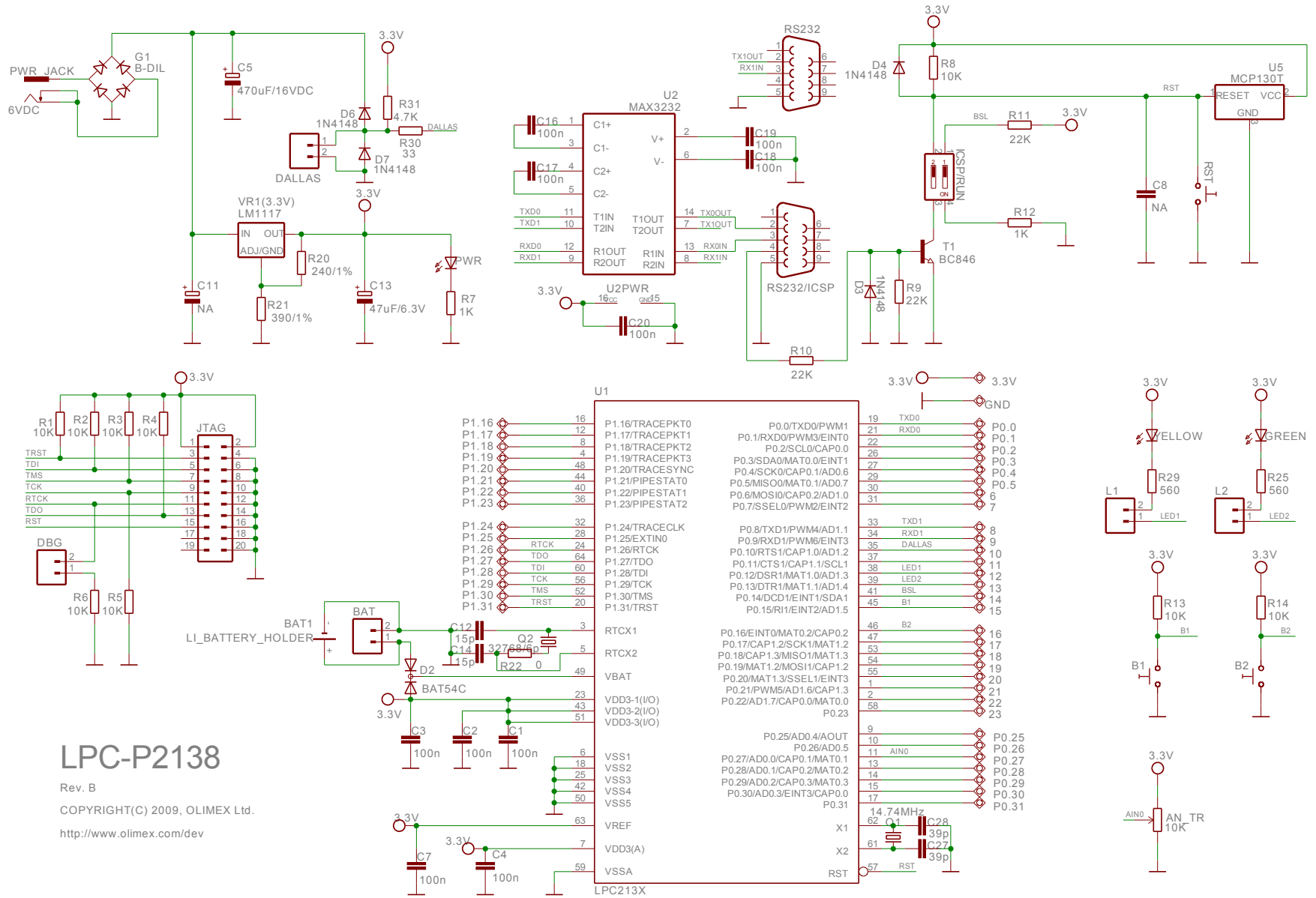
BLOCK DIAGRAM



(1) Pins shared with GPIO.

MEMORY MAP

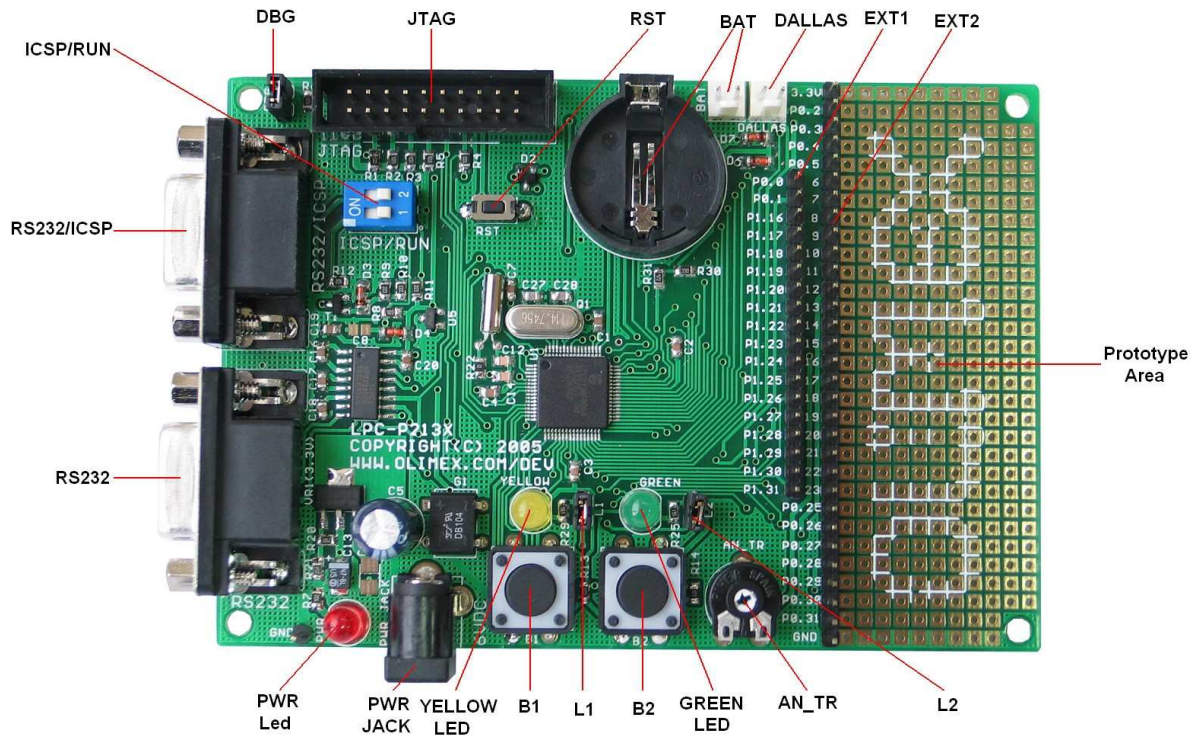




LPC-P2138

Rev. B
 COPYRIGHT(C) 2009, OLIMEX Ltd.
<http://www.olimex.com/dev>

BOARD LAYOUT



POWER CIRCUIT

LPC-P2138 can be typically power supplied with 6 VDC from power jack. The programmed board power consumption is about 50 mA.

RESET CIRCUIT

LPC-P2138 reset circuit includes R8 (10k) pull-up, D4 (1N4148), U5 (MCP130T) and RST button.

CLOCK CIRCUIT

Quartz crystal Q1 14.7456 MHz is connected to LPC2138 pin 61 (X2) and pin 62 (X1). Quartz crystal Q2 32.768 KHz is connected to LPC2138 pin 3 (RTCX1) and pin 5 (RTCX2).

JUMPER DESCRIPTION



Connects YELLOW Led to LPC2138 pin 38 (P0.12/DSR1/MAT1.0/AD1.3).
Default state is closed.

L2


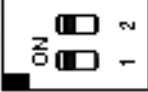


Connects GREEN Led to LPC2138 pin 39 (P0.13/DTR1/MAT1.1/AD1.4).
Default state is closed.

DBG



Enables JTAG debug operations.
Default state is closed.

Slide switch	Position	Description
Slide switch (ICSP/ RUN)		Disable ICSP programming.
		Enable ICSP programming.

INPUT/OUTPUT

Reset button with name **RST**, connected to LPC2138 pin 57 (RST).

User button with name **B1**, connected to LPC2138 pin 45 (P0.15).

User button with name **B2**, connected to LPC2138 pin 46 (P0.16).

Potentiometer with name **AN_TR**, connected to LPC2138 pin 11 (P0.27).

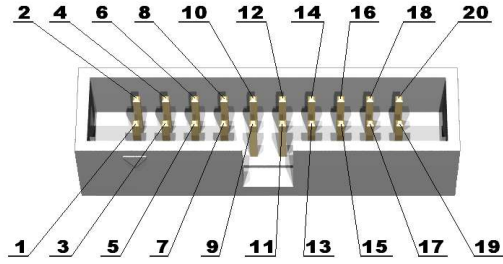
Status Led (yellow) with name **YELLOW** connected to LPC2138 pin 38 (P0.12).

Status Led (green) with name **GREEN** connected to LPC2138 pin 39 (P0.13).

Power-on Led (red) with name **PWR** shows that 3.3V is applied to the board.

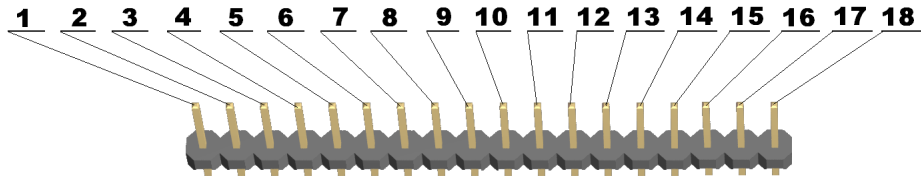
EXTERNAL CONNECTORS DESCRIPTION

JTAG



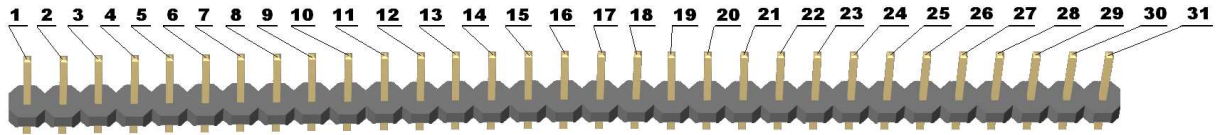
Pin #	Signal Name	Pin #	Signal Name
1	+3.3 V	2	+3.3 V
3	TRST	4	GND
5	TDI	6	GND
7	TMS	8	GND
9	TCK	10	GND
11	RTCK	12	GND
13	TDO	14	GND
15	RST	16	GND
17	Not Connected	18	GND
19	Not Connected	20	GND

EXT1



Pin #	Signal Name	Pin #	Signal Name
1	TXD0	2	RXD0
3	P1.16	4	P1.17
5	P.18	6	P1.19
7	P1.20	8	P1.21
9	P1.22	10	P1.23
11	P1.24	12	P1.25
13	RTCK	14	TDO
15	TDI	16	TCK
17	TMS	18	TRST

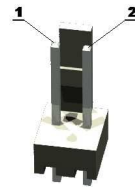
EXT2



Pin #	Signal Name	Pin #	Signal Name
1	3.3 V	2	P0.2
3	P0.3	4	P0.4
5	P0.5	6	P0.6
7	P0.7	8	TXD1
9	RXD1	10	DALLAS
11	P0.11	12	P0.12
13	P0.13	14	BSL
15	P0.15	16	P0.16
17	P0.17	18	P0.18
19	P0.19	20	P0.20
21	P0.21	22	FREQ
23	P0.23	24	P0.25
25	P0.26	26	AIN0
27	AIN1	28	AIN2
29	AIN3	30	P0.31
31	GND		

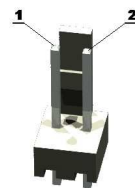
DALLAS

Pin #	Signal Name
1	DALLAS(P0.10)
2	GND



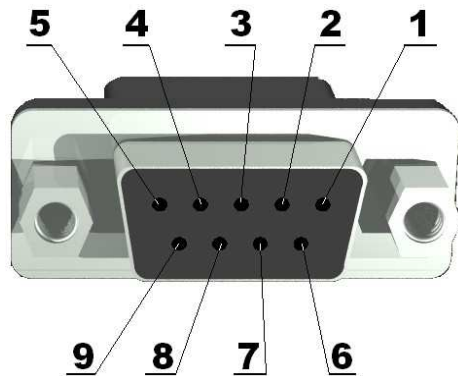
BAT

Pin #	Signal Name
1	VBAT
2	GND



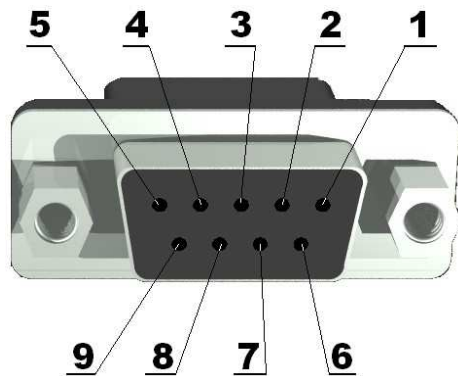
RS232

Pin #	Signal Name
1	Not Connected
2	TX1OUT
3	RX1IN
4	Not Connected
5	GND
6	Not Connected
7	Not Connected
8	Not Connected
9	Not Connected



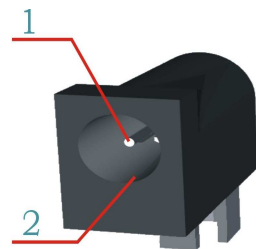
RS232/ICSP

Pin #	Signal Name
1	Not Connected
2	TX0OUT
3	RX0IN
4	DTR
5	GND
6	Not Connected
7	Not Connected
8	Not Connected
9	NC

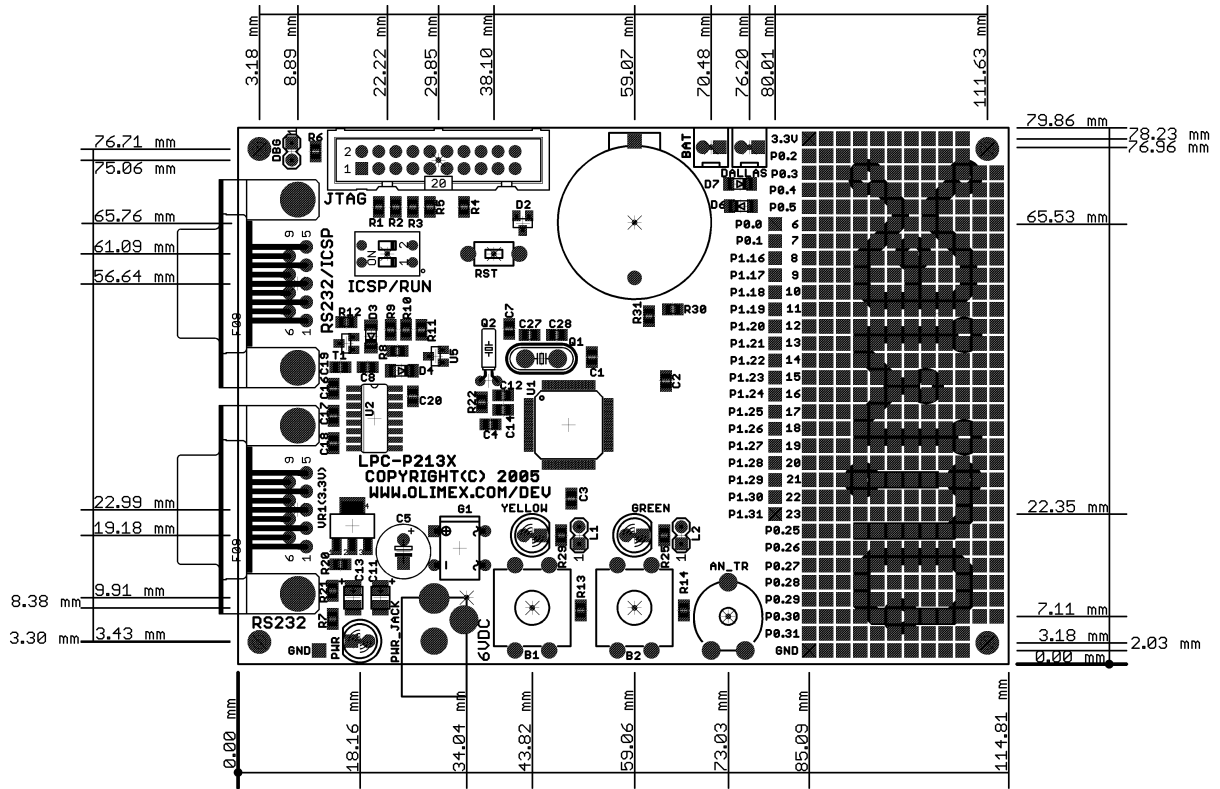


PWR:

Pin #	Signal Name
1	Power Input
2	GND



MECHANICAL DIMENSIONS



AVAILABLE DEMO SOFTWARE

- [RS232 initialization](#) demo code
- [RTC initialization](#) demo code
- [Blink LED and buttons](#) demo code
- [OpenOCD + Eclipse set of projects 1.00](#) include flash write make file for LPC-P2138.

ORDER CODE

LPC-P2138 - completely assembled and tested.

How to order?

You can order to us directly or by any of our distributors.

Check our web www.olimex.com/dev for more info.

Revision history:

REV. B - create July 2009

Disclaimer:

© 2010 Olimex Ltd. All rights reserved. Olimex®, logo and combinations thereof, are registered trademarks of Olimex Ltd. Other terms and product names may be trademarks of others.

The information in this document is provided in connection with Olimex products. No license, express or implied or otherwise, to any intellectual property right is granted by this document or in connection with the sale of Olimex products.

Neither the whole nor any part of the information contained in or the product described in this document may be adapted or reproduced in any material form except with the prior written permission of the copyright holder.

The product described in this document is subject to continuous development and improvements. All particulars of the product and its use contained in this document are given by OLIMEX in good faith. However all warranties implied or expressed including but not limited to implied warranties of merchantability or fitness for purpose are excluded.

This document is intended only to assist the reader in the use of the product. OLIMEX Ltd. shall not be liable for any loss or damage arising from the use of any information in this document or any error or omission in such information or any incorrect use of the product.