

## MSP430-H449 development board

## Users Manual



All boards produced by Olimex are ROHS compliant

Rev. Initial, June 2011

Copyright(c) 2011, OLIMEX Ltd, All rights reserved

## **INTRODUCTION:**

**MSP430-H449** is header board for the MSP430F449 mixed signal microcontroller produced by Texas Instruments.

**MSP430-H449** has JTAG port for programming and debugging and most of the GPIOs are on extension headers where you can connect your additional circuits.

## **BOARD FEATURES:**

- Microcontroller: **MSP430F449** with 60K Bytes Program Flash, 256 Bytes data Flash, 2K Bytes RAM
- JTAG connector
- JTAG Power\_In and Power\_Out jumpers
- 32 768 Hz oscillator crystal
- 8Mhz crystall oscillator (works only when power supply +3.6V)
- TEST pin pull-down
- RST/NMI pin pull-up
- power supply filtering capacitor
- extension headers for each uC pin
- PCB: FR-4, 1.5 mm (0,062"), green soldermask, white silkscreen component print
- Dimensions: 45x45 mm (1.8x1.8")
- space between the pin rows: 43.18 mm (1.7")

## **ELECTROSTATIC WARNING:**

The MSP430-H449 board is shipped in protective anti-static packaging. The board must not be subject to high electrostatic potentials. General practice for working with static sensitive devices should be applied when working with this board.

## **BOARD USE REQUIREMENTS:**

**Cables:** The cable you will need depends on the programmer/debugger you use. If you use MSP430-JTAG, you will need LPT cable, if you use MSP430-JTAG-TINY, MSP-JTAG-TINY-V2, or MSP-JTAG-ISO, you will need 1.8m A-B USB cable, if you use MSP430-JTAG-RF, you can connect it to the USB port of your computer, or via USB cable type A - female.

**Hardware:** Programmer/Debugger - one of our Programmers - [MSP430-JTAG](#), [MSP430-JTAG-TINY](#), [MSP430-JTAG-ISO](#), or [MSP430-JTAG-RF](#).

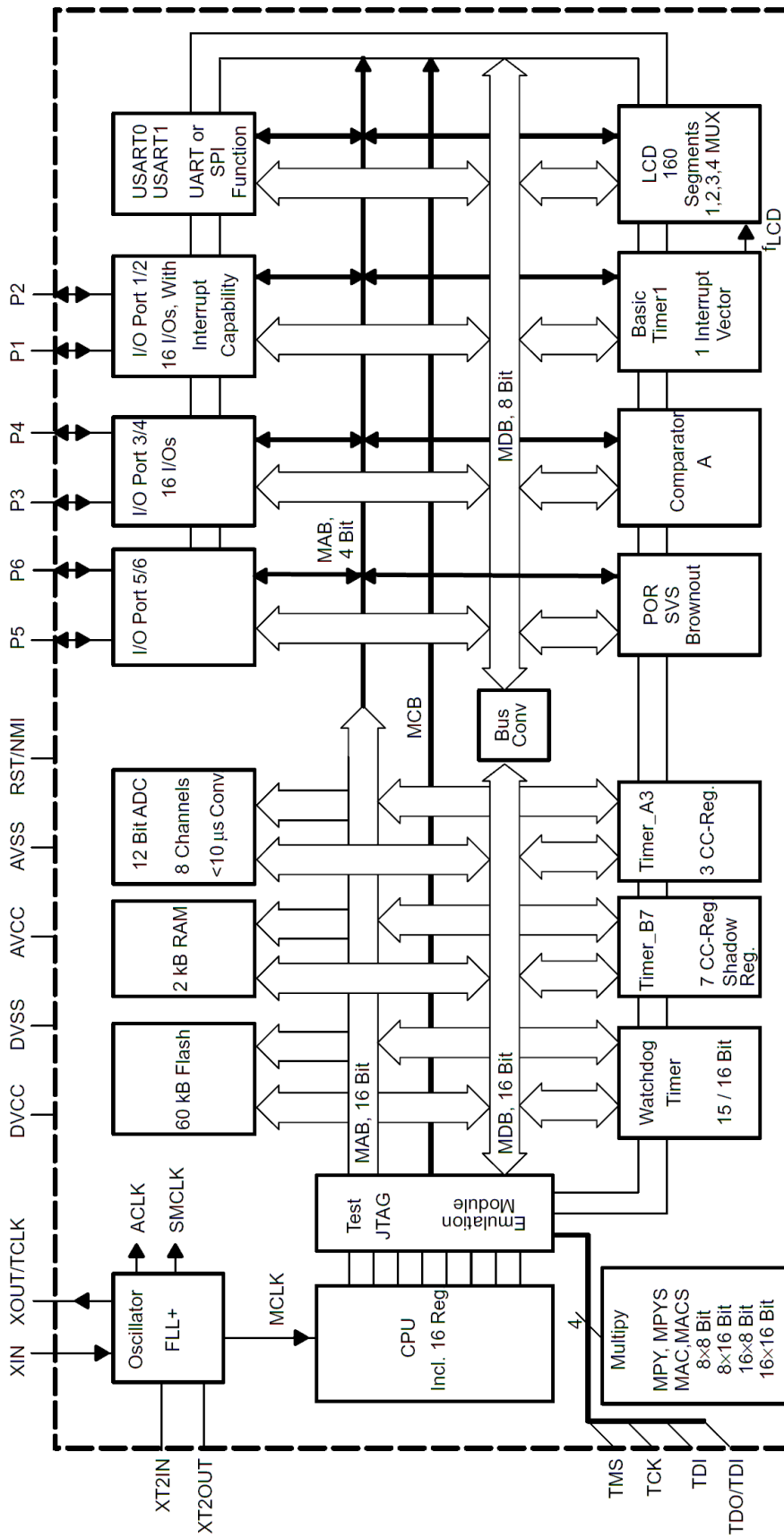
**Software:** MSP430 KickStart software.

## **PROCESSOR FEATURES:**

**MSP430-H449** board use MSP430F449 mixed signal microcontroller with these features:

- Low Supply-Voltage Range, 1.8 V to 3.6 V
- Ultralow-Power Consumption:
  - Active Mode: 280  $\mu$ A at 1 MHz, 2.2 V
  - Standby Mode: 1.1  $\mu$ A
  - Off Mode (RAM Retention): 0.1  $\mu$ A
- Five Power Saving Modes
- Wake-Up From Standby Mode in 6  $\mu$ s
- 16-Bit RISC Architecture, 125-ns Instruction Cycle Time
- 12-Bit A/D Converter With Internal Reference, Sample-and-Hold and Autoscan Feature
- 16-Bit Timer With Seven Capture/Compare-With-Shadow Registers, Timer\_B
- 16-Bit Timer With Three Capture/Compare Registers, Timer\_A
- On-Chip Comparator
- Serial Communication Interface (USART), Select Asynchronous UART or Synchronous SPI by Software; Two USARTs (USART0, USART1)
- Brownout Detector
- Supply Voltage Supervisor/Monitor With Programmable Level Detection
- Serial Onboard Programming, No External Programming Voltage Needed
- Programmable Code Protection by Security Fuse
- Integrated LCD Driver for Up to 160 Segments
- 60KB+256B Flash Memory
- 2KB RAM

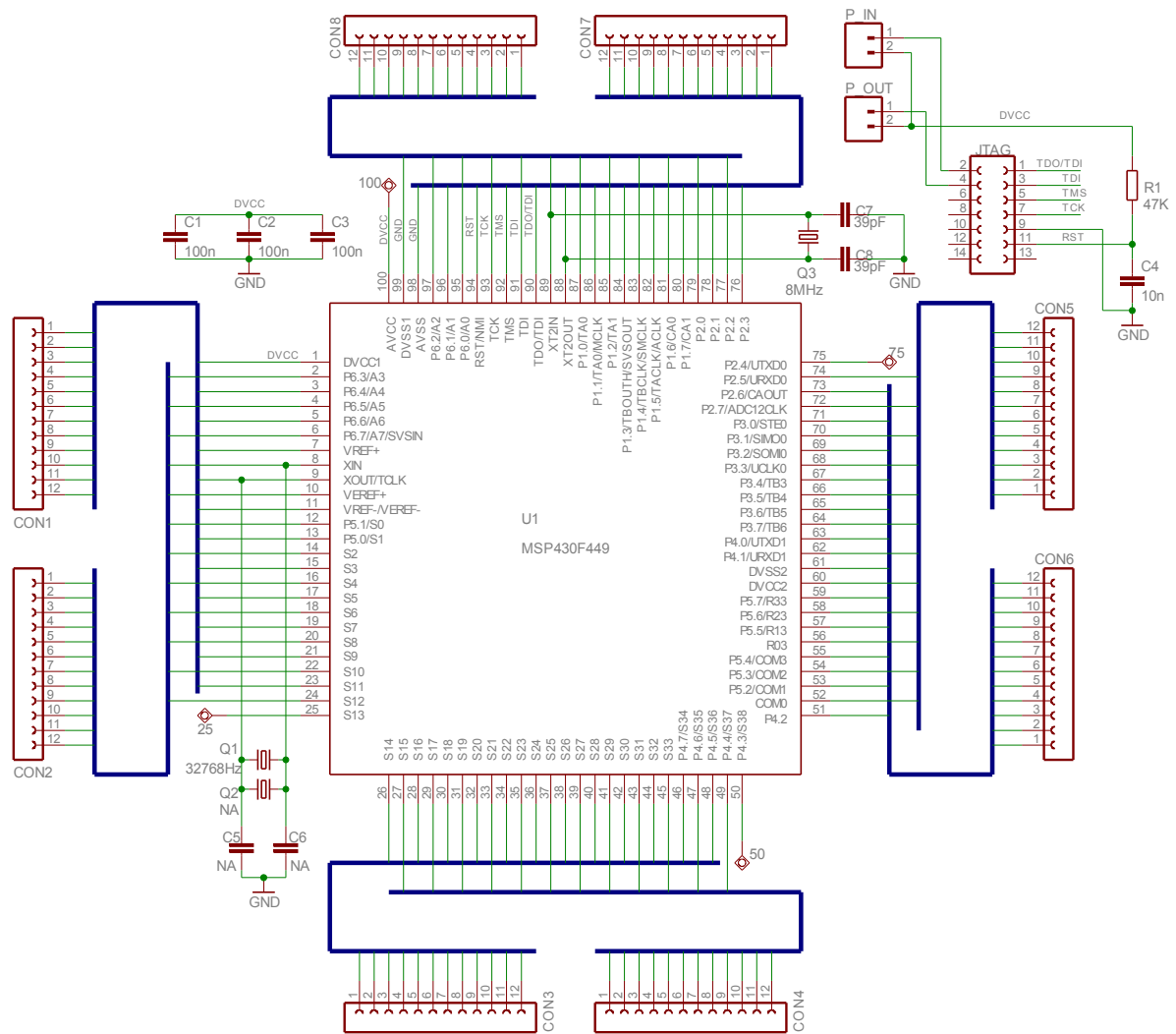
# BLOCK DIAGRAM:



**MEMORY ORGANIZATION:**

Memory Main: interrupt vector Main: code memory	Size Flash Flash	60KB 0FFFFh – 0FFE0h 0FFFFh – 01100h
Information memory	Size Flash	256 Byte 010FFh – 01000h
Boot memory	Size ROM	1KB 0FFFh – 0C00h
RAM	Size	2KB 09FFh – 0200h
Peripherals	16-bit 8-bit 8-bit SFR	01FFh – 0100h 0FFh – 010h 0Fh – 00h

# SCHEMATIC:



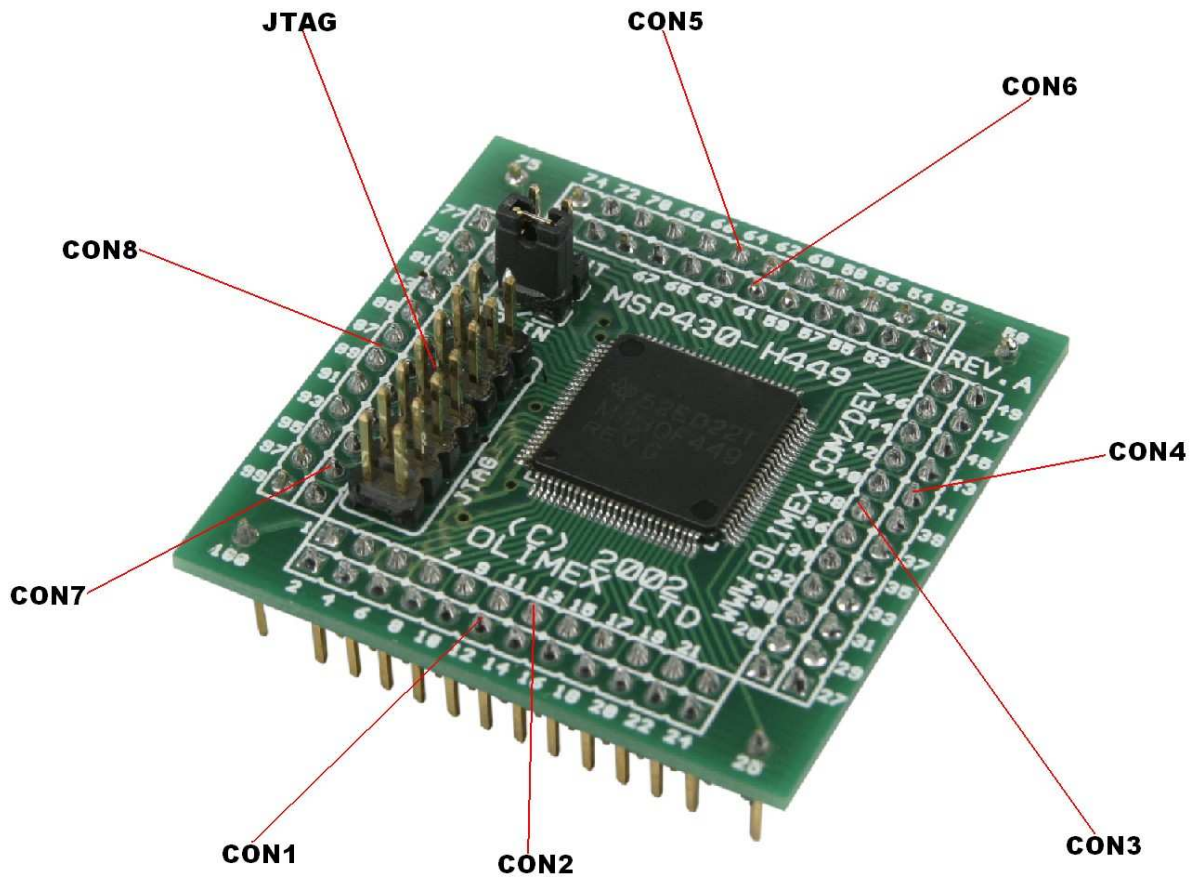
## MSP430-H449

Rev. Initial

COPYRIGHT(C) 2006, OLIMEX Ltd.

<http://www.olimex.com/dev>

## BOARD LAYOUT:



## POWER SUPPLY CIRCUIT:

MSP430-H449 can take power from two sources:

- JTAG, when P\_IN jumper is closed.
- EXT connectors, when P\_OUT jumper is closed.

## RESET CIRCUIT:

MSP430-H449 reset circuit includes R1 (47k $\Omega$ ), C4 (10nF), JTAG connector pin 11, CON7 pin 10 and MSP430F449 pin 94.

## CLOCK CIRCUIT:

Quartz crystal 32768 MHz is connected to MSP430F449 pin 8 (XIN) and pin 9 (XOUT/TCLK).

Quartz crystal 8 MHz is connected to MSP430F449 pin 88 (XT2OUT) and pin 89 (XT2IN).

## JUMPER DESCRIPTION:

### Power In jumper:



P\_IN jumper connects power supply from JTAG connector. You have to ensure that your circuit doesn't draw more than few milliamperes current or the power supply may decrease due to the JTAG port current limitations. P\_IN is useful and must be used mostly to program the microcontroller. Default state is closed.

### Power Out jumper:



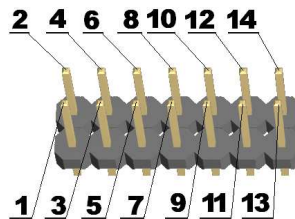
P\_OUT jumper connects power from MSP430-H449 to JTAG connector. When this jumper cap is placed, the power supply of JTAG connector will follow the power supply of the board. This is useful when your board works at lower than +3,3V power supply, or consume more than few mA current. Default state is opened.

### Note:

P\_IN and P\_OUT jumper caps should not be placed at the same time.

## CONNECTOR DESCRIPTIONS:

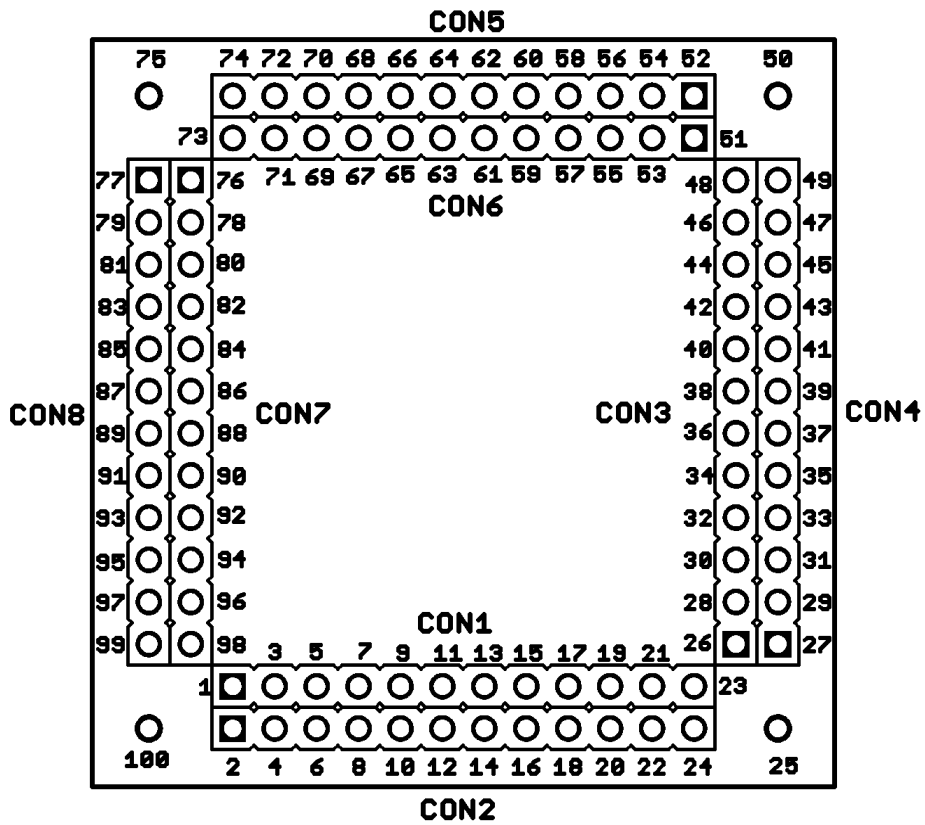
### JTAG:



Pin #	Signal Name	Pin #	Signal Name
1	TDO/TDI	2	Via jmp V_IN to DVCC
3	TDI	4	Via jmp V_OUT to DVCC
5	TMS	6	Not Connected
7	TCK	8	Not Connected
9	GND	10	Not Connected
11	RST	12	Not Connected
13	Not Connected	14	Not Connected



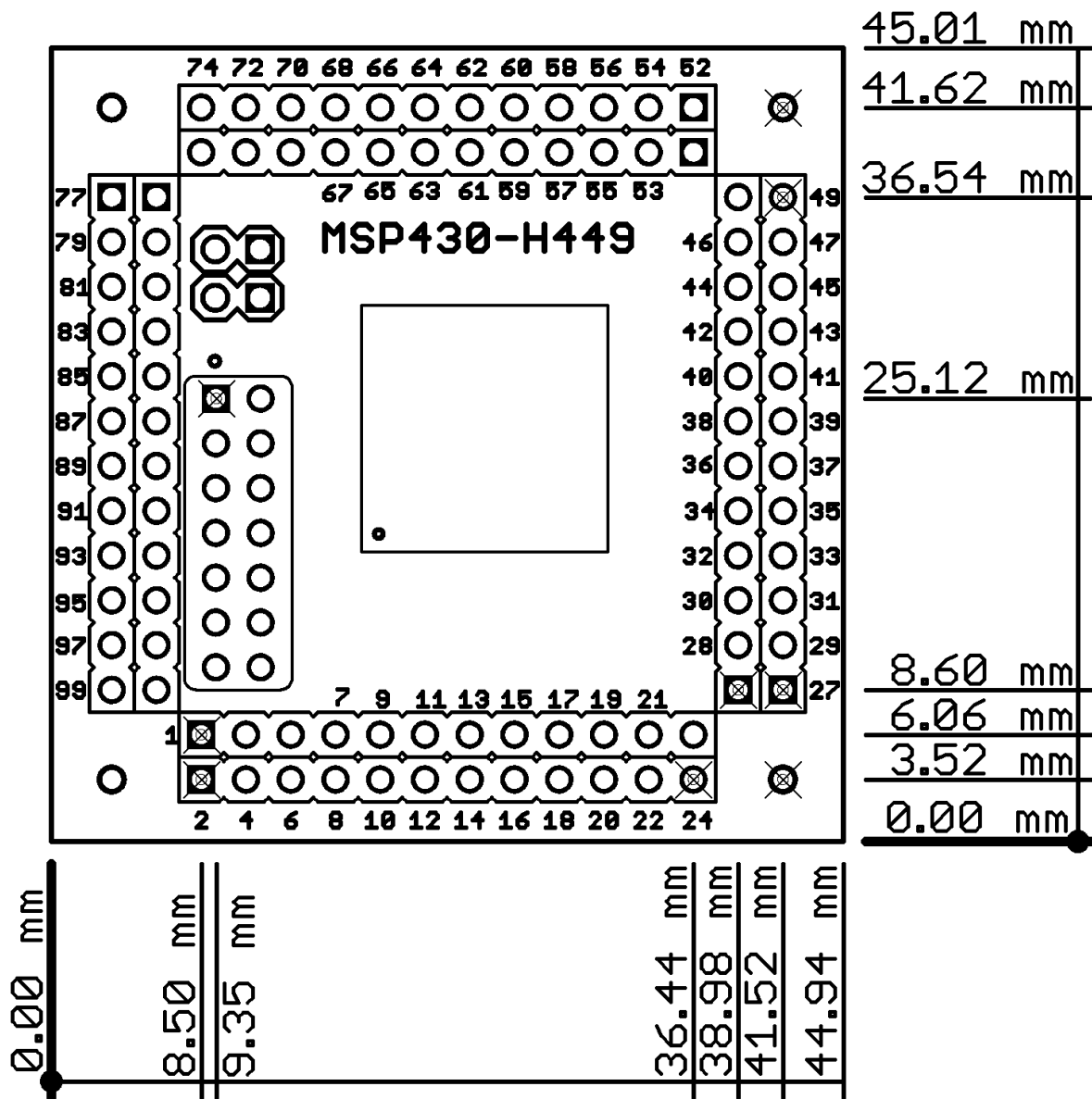
Extension connectors:



CON	Pin #	Signal Name	CON	Pin #	Signal Name
CON1	1	DVCC	CON2	2	P6.3
	3	P6.4		4	P6.5
	5	P6.6		6	P6.7
	7	VREF+		8	XIN
	9	XOUT		10	VEREF+
	11	VREF-		12	P5.1
	13	P5.0		14	S2
	15	S3		16	S4
	17	S5		18	S6
	19	S7		20	S8
	21	S9		22	S10
	23	S11	24	S12	
	25	S13	26	S14	
	27	S15	28	S16	
	29	S17	30	S18	
	31	S19	32	S20	

CON4	33	S21	CON3	34	S22
	35	S23		36	S24
	37	S25		38	S26
	39	S27		40	S28
	41	S29		42	S30
	43	S31		44	S32
	45	S33		46	P4.7
	47	P4.6		48	P4.5
	49	P4.4		50	P4.3
CON6	51	P4.2	CON5	52	COM0
	53	P5.2		54	P5.3
	55	P5.4		56	R03
	57	P5.5		58	P5.6
	59	P5.7		60	DVCC
	61	GND		62	P4.1
	63	P4.0		64	P3.7
	65	P3.6		66	P3.5
	67	P3.4		68	P3.3
	69	P3.2		70	P3.1
	71	P3.0		72	P2.7
	73	P2.6		74	P2.5
	75	P2.4	76	P2.3	
CON8	77	P2.2	CON7	78	P2.1
	79	P2.0		80	P1.7
	81	P1.6		82	P1.5
	83	P1.4		84	P1.3
	85	P1.2		86	P1.1
	87	P1.0		88	XT2OUT
	89	XT2IN		90	TDO/TDI
	91	TDI		92	TMS
	93	TCK		94	RST
	95	P6.0		96	P6.1
	97	P6.2		98	GND
	99	GND		100	DVCC

MECHANICAL DIMENSIONS:



**AVAILABLE DEMO SOFTWARE:**

- Not available

## **ORDER CODE:**

**MSP430-H449** – assembled and tested

How to order?

You can order to us directly or by any of our distributors.

Check our web [www.olimex.com/dev](http://www.olimex.com/dev) for more info.

## **Revision history:**

Board's revision:

Rev. Initial - January 2006

Manual's revision:

Rev. Initial – June 2011

**Disclaimer:**

© 2011 Olimex Ltd. All rights reserved. Olimex®, logo and combinations thereof, are registered trademarks of Olimex Ltd. Other terms and product names may be trademarks of others.

The information in this document is provided in connection with Olimex products. No license, express or implied or otherwise, to any intellectual property right is granted by this document or in connection with the sale of Olimex products.

Neither the whole nor any part of the information contained in or the product described in this document may be adapted or reproduced in any material from except with the prior written permission of the copyright holder.

The product described in this document is subject to continuous development and improvements. All particulars of the product and its use contained in this document are given by OLIMEX in good faith. However all warranties implied or expressed including but not limited to implied warranties of merchantability or fitness for purpose are excluded.

This document is intended only to assist the reader in the use of the product. OLIMEX Ltd. shall not be liable for any loss or damage arising from the use of any information in this document or any error or omission in such information or any incorrect use of the product.