

## MSP430-HG2231 development board

## Users Manual



All boards produced by Olimex are ROHS compliant

Revision Initial, June 2011

Copyright(c) 2011, OLIMEX Ltd, All rights reserved

## **INTRODUCTION:**

MSP430-HG2231 is header board with MSP430G2231IPW14R ultralow-power mixed signal microcontroller from Texas Instruments. MSP430G2231IPW14R has a built-in 16-bit timer, ten I/O pins, a 10-bit A/D converter and built-in communication capability using synchronous protocols (SPI or I2C). On the board are available JTAG connector, one status led and extension headers for each microcontroller pin, where you can connect your own circuits. All this allows you to build a diversity of applications.

## **BOARD FEATURES:**

- Microcontroller MSP430G2231IPW14R
- JTAG interface
- Status led
- Extension headers for each microcontroller pin
- FR-4, 1.5 mm, soldermask, component print
- Dimensions: 27.00 x 20.00 mm (1.06 x 0.79")

## **ELECTROSTATIC WARNING:**

The **MSP430-HG2231** board is shipped in protective anti-static packaging. The board must not be subject to high electrostatic potentials. General practice for working with static sensitive devices should be applied when working with this board.

## **BOARD USE REQUIREMENTS:**

**Cables:** The cable you will need depends on the programmer/debugger you use. If you use MSP430-JTAG-TINY, MSP430-JTAG-TINY-V2 or MSP430-JTAG-ISO, you will need USB A-B cable. If you use MSP430-JTAG, you will need LPT cable.

**Hardware:** Programmer/Debugger [MSP430-JTAG](#), [MSP430-JTAG-TINY](#), [MSP430-JTAG-TINY-V2](#), [MSP430-JTAG-ISO](#) by OLIMEX, or other compatible programming/debugging tool.

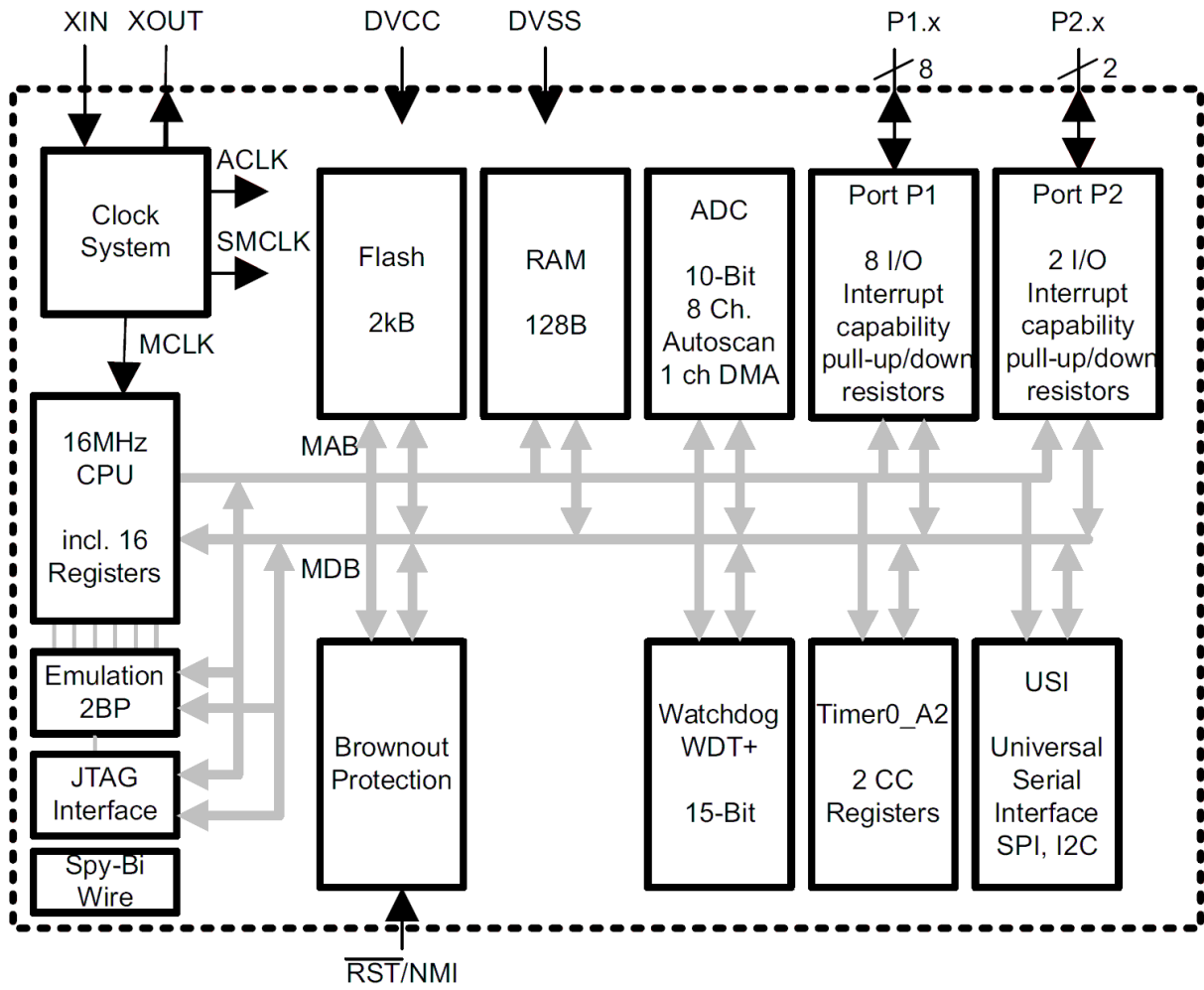
## **PROCESSOR FEATURES:**

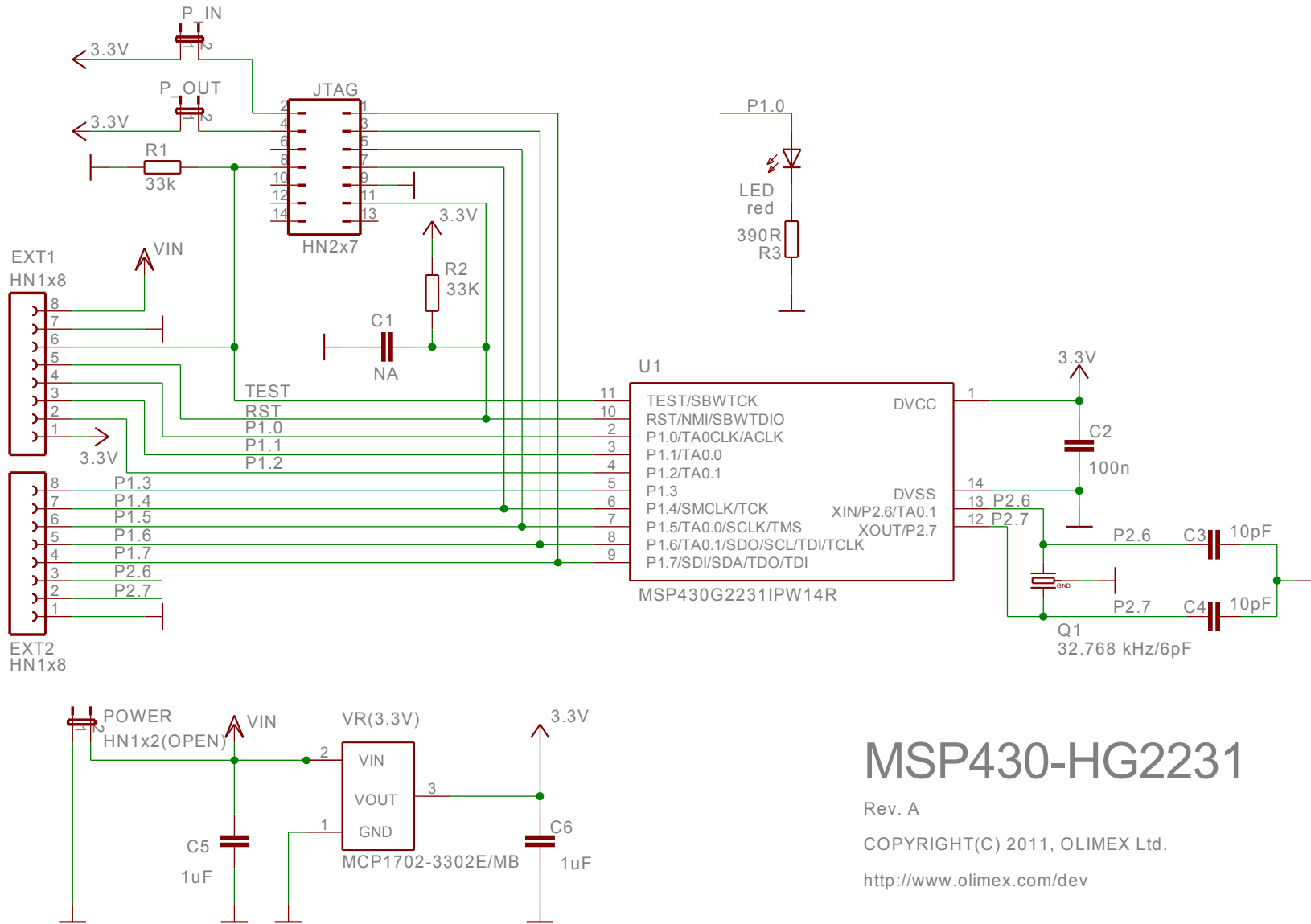
MSP430-HG2231 board use MSP430G2231IPW14R microcontroller from Texas Instruments with these features:

- Low Supply-Voltage Range: 1.8 V to 3.6 V
- Ultra-Low Power Consumption
  - Active Mode: 220  $\mu$ A at 1 MHz, 2.2 V
  - Standby Mode: 0.5  $\mu$ A
  - Off Mode (RAM Retention): 0.1  $\mu$ A
- Five Power-Saving Modes
- Ultra-Fast Wake-Up From Standby Mode in Less Than 1  $\mu$ s
- 16-Bit RISC Architecture, 62.5-ns Instruction Cycle Time
- Basic Clock Module Configurations
  - Internal Frequencies up to 16 MHz With One Calibrated Frequency
  - Internal Very Low Power Low-Frequency (LF) Oscillator
  - 32-kHz Crystal
  - External Digital Clock Source
- 16-Bit Timer\_A With Two Capture/Compare Registers
- Universal Serial Interface (USI) Supporting SPI and I2C
- Brownout Detector
- 10-Bit 200-ksps A/D Converter With Internal Reference, Sample-and-Hold, and Autoscan
- Serial Onboard Programming, No External Programming Voltage Needed, Programmable Code Protection by Security Fuse
- On-Chip Emulation Logic With Spy-Bi-Wire Interface

For more information about this microcontroller, see [here](#).

**BLOCK DIAGRAM:**





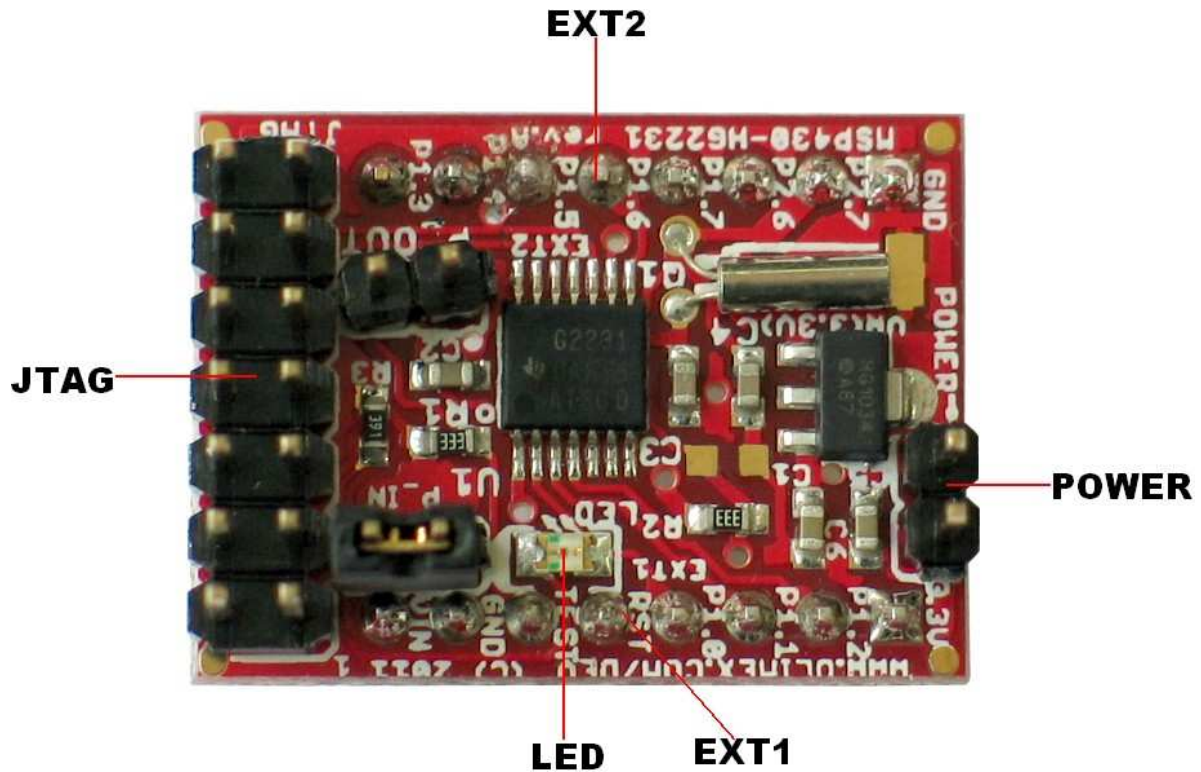
# MSP430-HG2231

Rev. A

COPYRIGHT(C) 2011, OLIMEX Ltd.

<http://www.olimex.com/dev>

## BOARD LAYOUT:



## POWER SUPPLY CIRCUIT:

MSP430-HG2231 can take power form:

- EXT1 pin 8 (VIN) and pin 7 (GND) from 4 to 12 VDC
- not typical POWER connector (the connector looks like opened jumper) - from 4 to 12 VDC
- JTAG

The programmed board power consumption is about 10 mA with all peripherals enabled.

## RESET CIRCUIT:

MSP430-HG2231 reset circuit includes MSP430G2231IPW14R pin 10 (RST/NMI/SBWDIO), JTAG connector pin 11, and R2 (33k $\Omega$ ).

## CLOCK CIRCUIT:

Quartz crystal 32.768 kHz is connected to MSP430G2231IPW14R pin 12 (XOUT/P2.7) and pin 13 (XIN/P2.6/TA0.1).

## JUMPER DESCRIPTION:

**P\_IN**



When this jumper is closed, the board is power supplied by the standard JTAG pin 2. This is only possible when the consumption of the board is not very high which is typically the case with MSP430 microcontrollers. If this jumper is open the board should be power supplied by another external source. This jumper and P\_OUT should always be reversely open/closed, i.e. if P\_IN is closed, P\_OUT should be open and vice versa.

Default state is closed.

**P\_OUT**



When this jumper is closed, the board is power supplied not by the JTAG but from external source. Then the JTAG has to synchronize with the working voltages which is done through this line. This is especially important when debugging with JTAG. This jumper and P\_IN should always be reversely open/closed, i.e. if P\_OUT is closed, P\_IN should be open and vice versa.

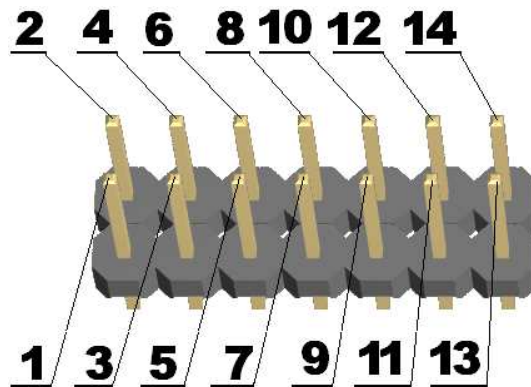
Default state is opened.

## INPUT/OUTPUT:

**Status led (red)** with name **LED**, connected to MSP430G2231IPW14R pin 2 (P1.0/TA0CLK/ACLK).

**EXTERNAL CONNECTORS DESCRIPTION:**

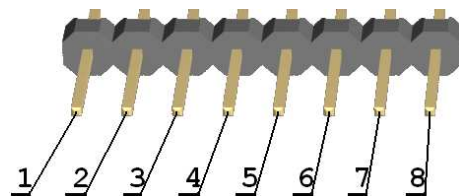
**JTAG:**



Pin #	Signal Name	Pin #	Signal Name
1	P1.7	2	Via P_IN to 3.3V
3	P1.6	4	Via P_OUT to 3.3V
5	P1.5	6	NC
7	P1.4	8	TEST
9	GND	10	NC
11	RST	12	NC
13	NC	14	NC

**EXT1:**

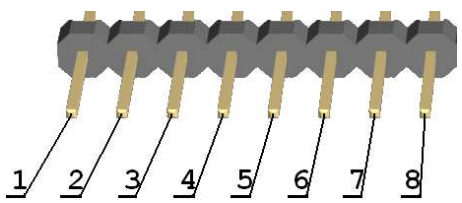
Pin #	Signal Name	Pin #	Signal Name
1	VCC	2	P1.2
3	P1.1	4	P1.0
5	RST	6	TEST
7	GND	8	VIN



**EXT2:**

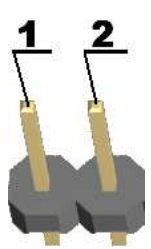


Pin #	Signal Name	Pin #	Signal Name
1	GND	2	P2.7
3	P2.6	4	P1.7
5	P1.6	6	P1.5
7	P1.4	8	P1.3

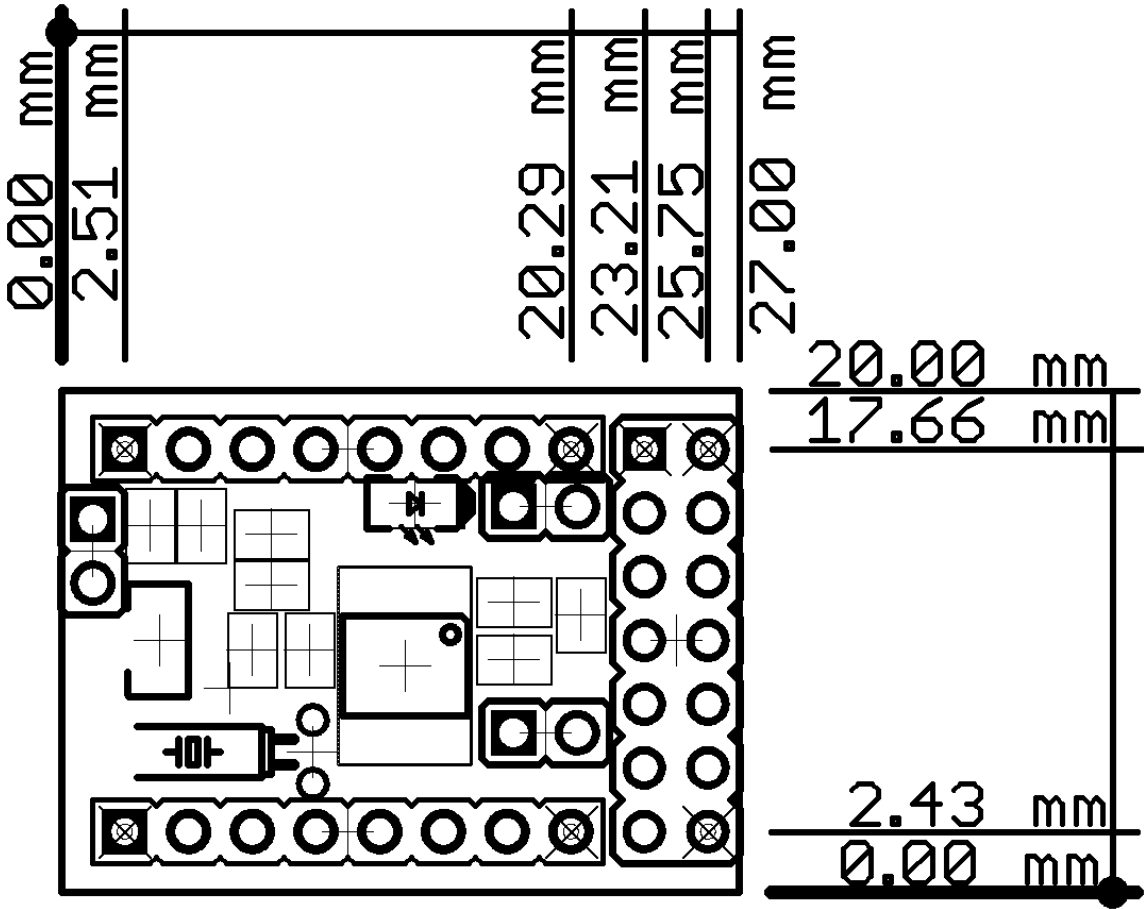


**POWER:**

Pin #	Signal Name
1	GND
2	VIN



MECHANICAL DIMENSIONS:



## **AVAILABLE DEMO SOFTWARE:**

- msp430HG2231\_demo - demonstrates blinking led

## **ORDER CODE:**

**MSP430-HG2231** - assembled and tested board

### **How to order?**

You can order to us directly or by any of our distributors.  
Check our web [www.olimex.com/dev](http://www.olimex.com/dev) for more info.

## **Revision history:**

Board's revision	Rev. A, March 2011
Manual's revision	Rev. Initial, June 2011

**Disclaimer:**

© 2011 Olimex Ltd. All rights reserved. Olimex®, logo and combinations thereof, are registered trademarks of Olimex Ltd. Other terms and product names may be trademarks of others.

The information in this document is provided in connection with Olimex products. No license, express or implied or otherwise, to any intellectual property right is granted by this document or in connection with the sale of Olimex products.

Neither the whole nor any part of the information contained in or the product described in this document may be adapted or reproduced in any material from except with the prior written permission of the copyright holder.

The product described in this document is subject to continuous development and improvements. All particulars of the product and its use contained in this document are given by OLIMEX in good faith. However all warranties implied or expressed including but not limited to implied warranties of merchantability or fitness for purpose are excluded.

This document is intended only to assist the reader in the use of the product. OLIMEX Ltd. shall not be liable for any loss or damage arising from the use of any information in this document or any error or omission in such information or any incorrect use of the product.