

Capacitor information
All 10uF capacitors on this sheet are tantalums and have 16V tolerance

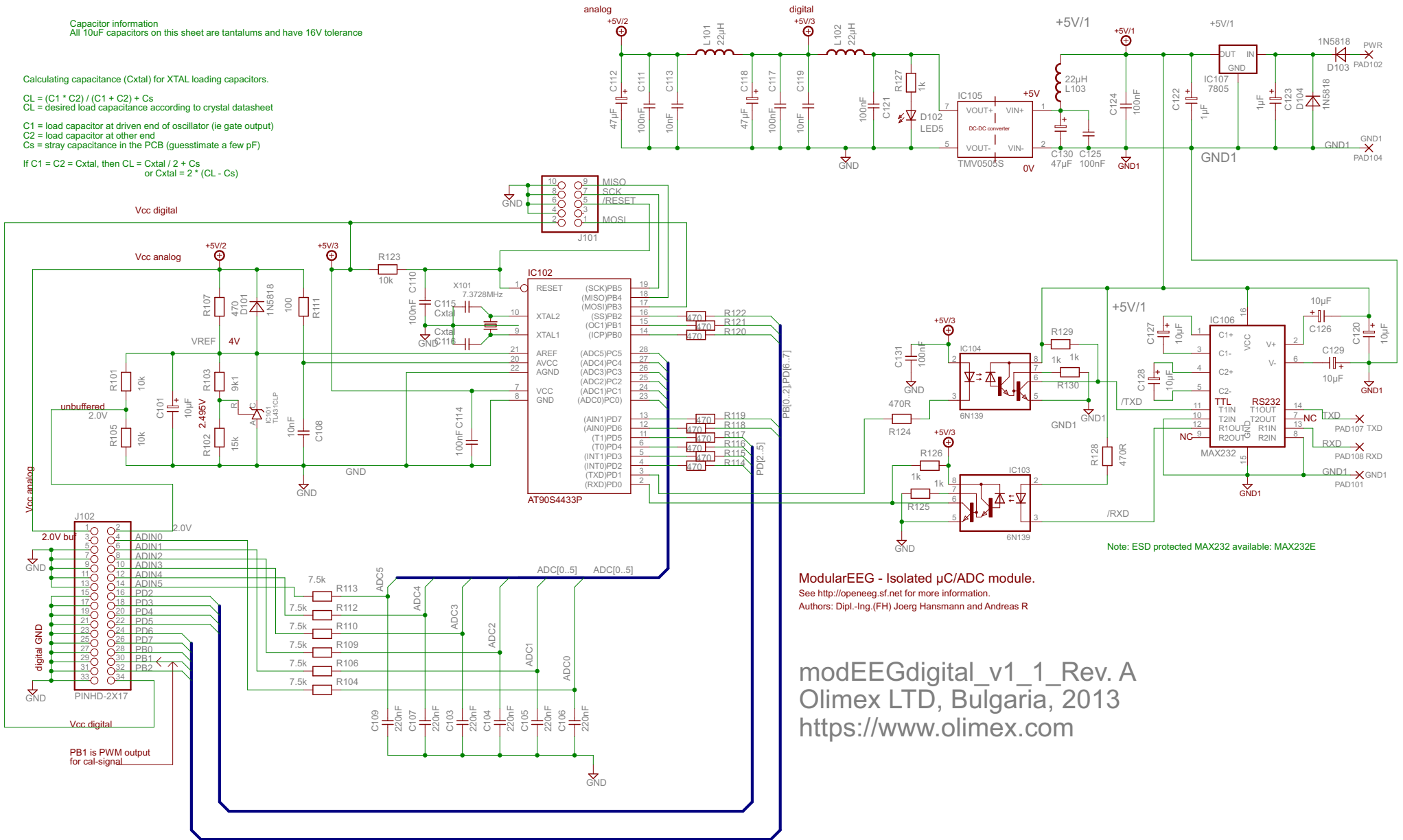
Calculating capacitance (Cxtal) for XTAL loading capacitors.

$CL = (C1 * C2) / (C1 + C2) + Cs$
CL = desired load capacitance according to crystal datasheet
C1 = load capacitor at driven end of oscillator (ie gate output)
C2 = load capacitor at other end
Cs = stray capacitance in the PCB (guesstimate a few pF)

If $C1 = C2 = Cxtal$, then $CL = Cxtal / 2 + Cs$
or $Cxtal = 2 * (CL - Cs)$

If PWR = +5V, replace D103 and IC107 (7805) with wires across their inputs and outputs, and mount D104.

If PWR = +7V, mount D103 and IC107 as intended, but do not mount D104.



Note: ESD protected MAX232 available: MAX232E

ModularEEG - Isolated μ C/ADC module.
See <http://openeg.sf.net> for more information.
Authors: Dipl.-Ing.(FH) Joerg Hansmann and Andreas R

modEEGdigital_v1_1_Rev.A
Olimex LTD, Bulgaria, 2013
<https://www.olimex.com>